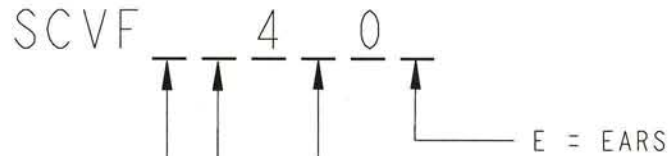


SCVF SERIES PART NUMBERING SCHEME

| REV | ECN | APP'D |
|-----|------|-------------|
| - | 4502 | IQ 5/30/01 |
| A | 4974 | IQ 9/10/02 |
| B | 5742 | RN 12/28/05 |



NUMBER OF POSITIONS
2 - 20

COLOR AND PLATING
 0 = BLACK, TIN (STANDARD)
 G = GREEN, TIN
 1 = BLACK, SELECTIVE GOLD
 2 = GREEN, SEL. GOLD

CONSULT PCD FOR PART NO. AND AVAILABILITY OF FOLLOWING OPTIONS:
 * CUSTOM COLORS
 * CUSTOM MARKING
 * CUSTOM KEYING
 * SELECTIVE CONTACT LOADING

INSTALLATION RECOMMENDATIONS:
 WIRE RANGE: AWG #16-28, STRANDED OR SOLID
 WIRE STRIP LENGTH: .330" (8,38mm)

MATERIALS:
 HOUSING: PA 66-6, UL 94 V-0
 CONTACT: COPPER ALLOY, TIN OR GOLD FINISH
 SPRING CLAMP: STAINLESS STEEL
 MAX OPERATING TEMP: 105°C

UL RATINGS
 CURRENT - 12A
 VOLTAGE - 300V
 U.L. FILE NO. PENDING

SP RATINGS
 CURRENT - 12 A
 VOLTAGE - 300 V
 CSA FILE NO. PENDING

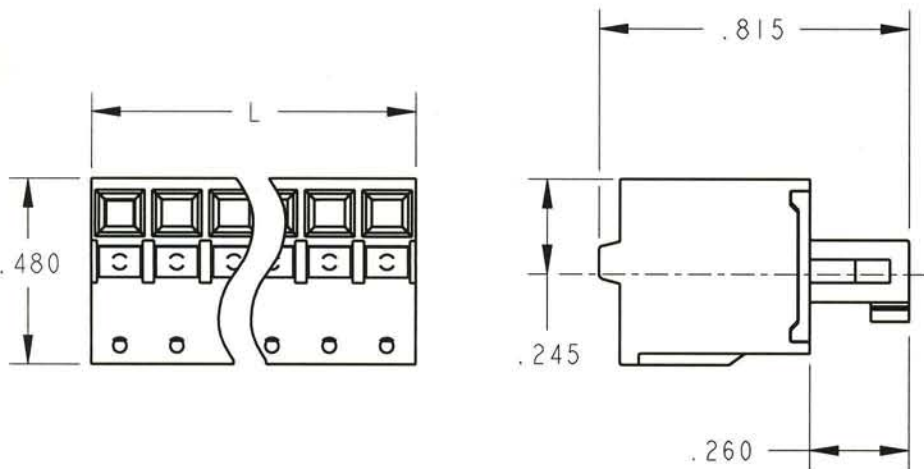
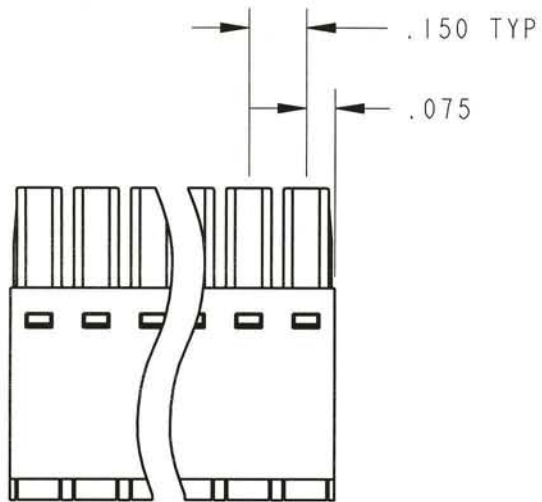
DIN VDE 0627:1986
 DIN VDE 0110-1:1989
 EN 60947-1:1991
 EN 60947-7-1:1992

CURRENT - 12 A
 VOLTAGE - 300 V
 TUV FILE NO. PENDING

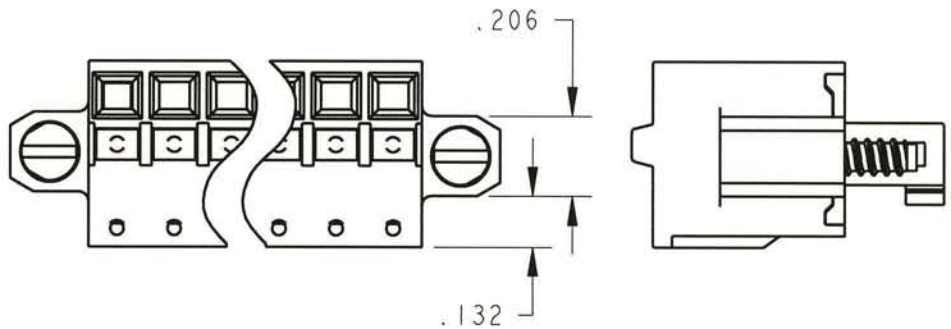
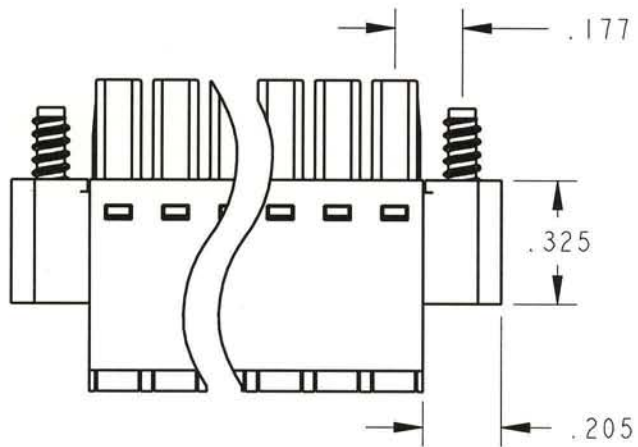
| | | | | | | | | |
|---|--|-----------------------|---------------------------|--|--|--|-----------------------------|-------------|
| DIMENSIONS ANSI Y14.5M UNITS: INCHES Pro/E FILE | TOLERANCES .XX ±0.15 .XXX ±0.006 ANGLES ±2.0° | PROJECTION | Amphenol Pcd | | | TITLE SCVF SERIES FRONT/FRONT SPRING CLAMP TERMINAL BLOCK: .150 CL | | |
| | | | ENGR C. LASHUA 5/29/01 | | | SIZE A | DWG NO. SCVF02400 | |
| ORIGINAL STAMPED IN RED | THIS DOCUMENT CONTAINS PROPRIETARY INFORMATION WHICH IS THE CONFIDENTIAL PROPERTY OF AMPHENOL PCD, INC. PEABODY, MA, USA | | CHKD I. QUINN 5/30/01 | | | CODE: 58982 | | SCALE: NONE |
| | | | APPD I. QUINN 5/30/01 | | | SHEET 1 OF 2 | | |

L=NUM OF POS X CL SPACING

SCVF WITHOUT EARS



SCVF WITH EARS



| SIZE | DWG NO. | REV |
|-------------|-------------|--------------|
| A | SCVF02400 | B |
| CODE: 58982 | SCALE: NONE | SHEET 2 OF 2 |