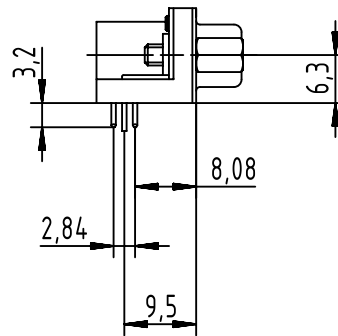
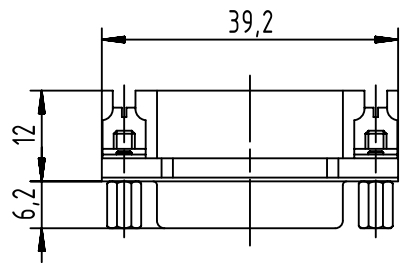
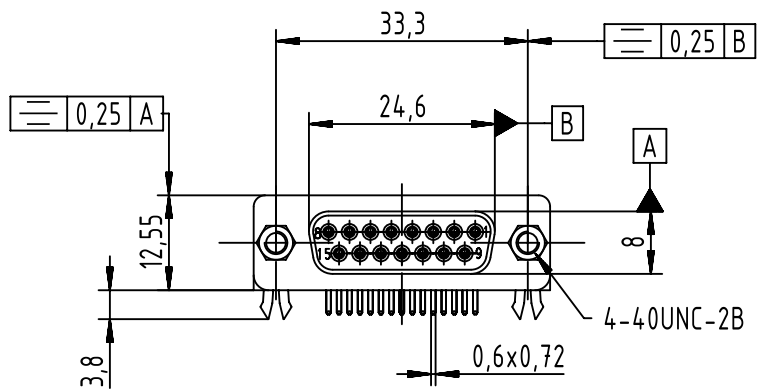
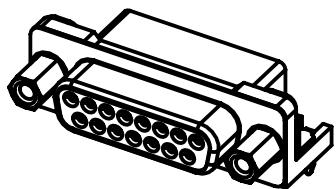
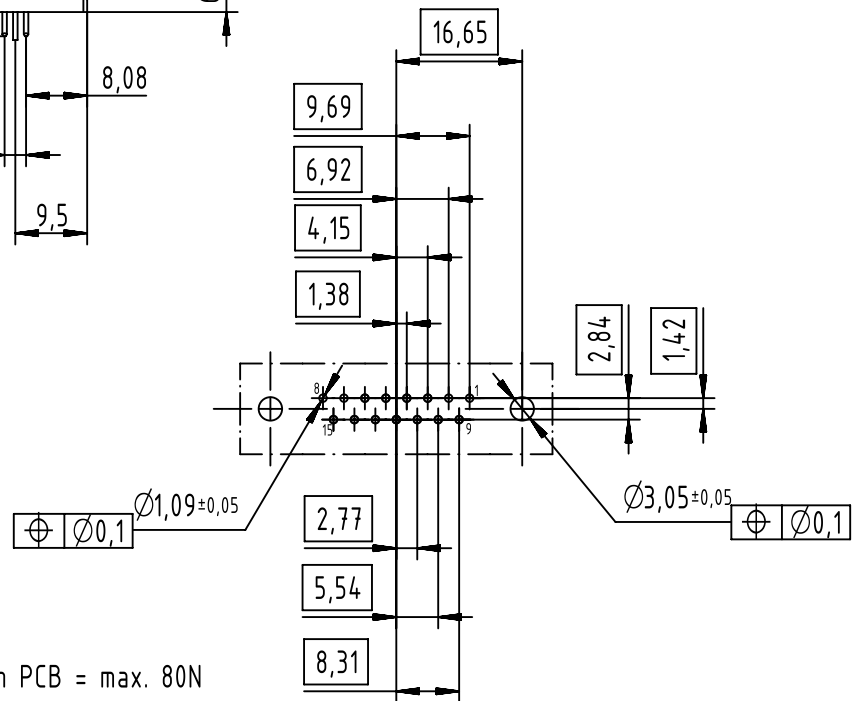


1 2 3 4 5 6

A
B
C
D



PC-Board layout
view component side
thickness 1,6



Connector insertion force on PCB = max. 80N

	All Dimensions in mm Original Size DIN A4	Scale 1:1	Free size tol.			Ref.
						Sub.
	All rights reserved Department EC PD - CN	Created by ZENGD	Inspected by LUOK	Standardisation HOFFMANN	Date 2017-11-07	State Final Release
	HARTING Electronics GmbH D-32339 Espelkamp	Title D-Sub STD 15-pole female angled board locks				Doc-Key / ECM-Nr. 100539808/UGD/001/C 500000126855
09682535613	PLS4	Type TB	Number 0968253X613			Rev. C
09682537613	PL3					Page 1/1
Part number	Performance level					