

Tous droits strictement reserves. Reproduction ou communication a des tiers interdite sous quelque forme que ce soit sans autorisation écrite du propriétaire. Propriete de c FCI. Droits de reproduction FCI.



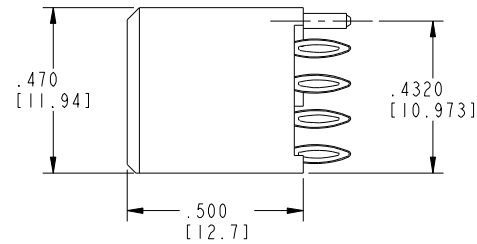
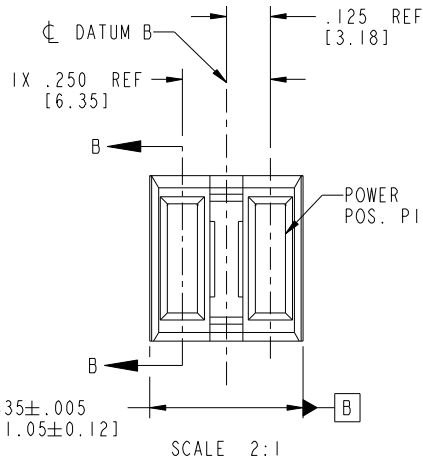
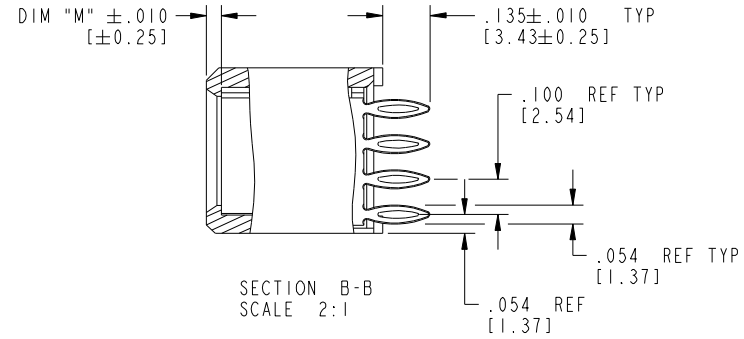
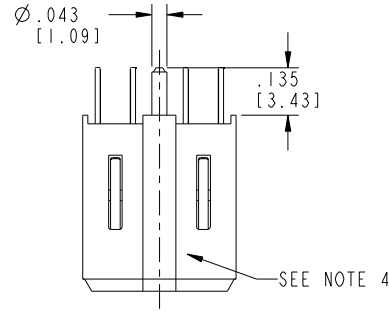
All rights strictly reserved. Reproduction or issue to third parties in any form whatever is not permitted without written authority from the proprietor. Property of FCI. Copyright FCI.

PRODUCT NO. 10011570-001-- NOTE: 3	POWER	
	P2 PC	P1 PF

1 | 2

3 |

4



CODE	DIM "M" MATING LENGTH	CONTACT TYPE
PC	.042 [1.07]	POWER
PF	.092 [2.34]	POWER

mal't code		SEE NOTE 2		tolerances unless otherwise specified		CUSTOMER		FCI		www.fciconnect.com	
ltr	ecn no.	dr	date	linear	.XX±.01/0.X±0.3	COPY		title			
A	V04-1102	TAB	11/10/04		.XXX±.005/0.XX±0.13	projection		2 POWER			
B	DG05-0095	JMG	04/26/05	angles	.XXX±.0020/0.XXX±0.051	INCH/MM		VERT PRESS FIT RECEPTACLE			
C	DG08-0239	JC	09/12/08		0°±2°	scale		product family		code	
				dr	M. MOSTOLLER 2/28/03	1:1		PwrBlade		213	
				enr	M. MOSTOLLER 2/28/03			size		sheet	
				chr	H. BREWBAKER 2/28/03			dwg no		1 of 3	
				appd	M. MOSTOLLER 2/28/03			10011570			
sheet index	revision sheet	C	C	C							
		1	2	3							

1 | 2

Pro/E

3 |

cage code 22526

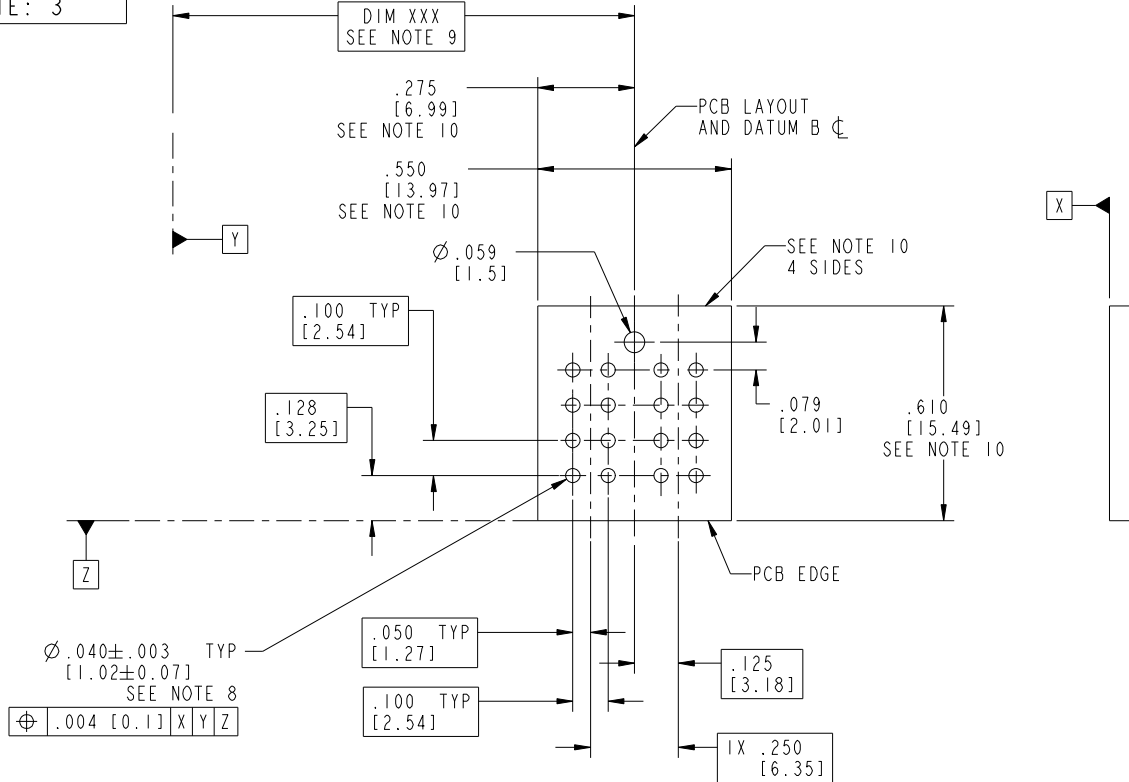
4

Tous droits strictement reserves. Reproduction ou communication a des tiers interdite sous quelque forme que ce soit sans autorisation ecrite du proprietaire. Propriete de c FCI. Droits de reproduction FCI.



All rights strictly reserved. Reproduction or issue to third parties in any form whatever is not permitted without written authority from the proprietor. Property of FCI. Copyright FCI.

PRODUCT NUMBER
10011570-001__
NOTE: 3



RECOMMENDED PCB LAYOUT
SCALE 2:1

mat'l code		SEE NOTE 2		tolerances unless otherwise specified		CUSTOMER		 www.fciconnect.com	
ltr	ecn no.	dr	date	linear	.XX±.01/0.X±0.3	COPY		title	
C					.XXX±.005/0.XX±0.13	projection		2 POWER	
				angles	.XXX±.0020/0.XXX±0.051			VERT PRESS FIT RECEPTACLE	
				dr	0°±2°	INCH/MM		product family	
				enr	M. MOSTOLLER 2/28/03	scale		PwrBlade	
				chr	M. MOSTOLLER 2/28/03	1:1		code	
				appd	H. BREWBAKER 2/28/03			size	
					M. MOSTOLLER 2/28/03			dwg no	
sheet index	revision sheet							10011570	
								213	
								sheet	
								2	

cage code 22526

Pro/E

Tous droits strictement reserves. Reproduction ou communication a des tiers interdite sous quelque forme que ce soit sans autorisation écrite du propriétaire. Propriete de c FCI. Droits de reproduction FCI.



All rights strictly reserved. Reproduction or issue to third parties in any form whatever is not permitted without written authority from the proprietor. Property of FCI. Copyright FCI.

PRODUCT NUMBER
10011570-001__
NOTE: 3

NOTES:

1. DIMENSIONS AND TOLERANCES ARE IN ACCORDANCE WITH ASME Y14.5M, 1994 UNLESS OTHERWISE SPECIFIED.

CONNECTOR NOTES:

- 2. HOUSING MATERIAL: UL 94 V-0 GLASS FILLED HIGH-TEMP THERMOPLASTIC
POWER CONTACT MATERIAL: COPPER ALLOY
- 3. SEE ITEM 7 & 8 IN PRINT 10064183 FOR PLATING SPEC OF 10011570-001 AND 10011570-001LF RESPECTIVELY
- 4. NO ANY PRINT ON THIS SURFACE.
- 5. PRODUCT SPECIFICATION GS-12-149.
APPLICATION SPECIFICATION BUS-20-067.
PACKAGED IN TRAYS.

PCB NOTES:

- 6. ALL HOLE DIAMETERS ARE FINISHED HOLE SIZE.
- 7. MOUNTING HOLES, WHERE APPLICABLE, ARE UNPLATED.
- 8. $\varnothing .0453 \pm 0.0010$ [1.151 ± 0.025] DRILLED HOLES PLATED WITH
.0003 [0.008] MIN SnPb OVER .001 [0.03]
TO .003 [0.08] Cu PLATING TO ACHIEVE
 $\varnothing .040 \pm .003$ [$1.02 \pm .07$] HOLE.
- 9. "DIM XXX" TO BE DETERMINED BY THE CUSTOMER.
- 10. CONNECTOR KEEP-OUT ZONE.
- 11. A \triangle SYMBOL WILL BE NEXT TO ANY DIMENSION, VIEW, OR NOTE WHICH HAS BEEN MODIFIED WITH THE CURRENT DRAWING REVISION.

mat'l code		SEE NOTE 2		tolerances unless otherwise specified		CUSTOMER		FCI		www.fciconnect.com	
ltr	ecn no.	dr	date	linear	.XX±.01/0.X±0.3	COPY		title			
C					.XXX±.005/0.XX±0.13	projection		2 POWER			
				angles	.XXX±.0020/0.XXX±0.051			VERT PRESS FIT RECEPTACLE			
				dr	0°±2°			product family		PwrBlade	code
				enr	M.MOSTOLLER 2/28/03	INCH/MM		size		dwg no	213
				chr	H. BREWBAKER 2/28/03	scale		A		10011570	sheet
				appd	M.MOSTOLLER 2/28/03	1:1					3
sheet index	revision sheet										

cage code 22526

Pro/E