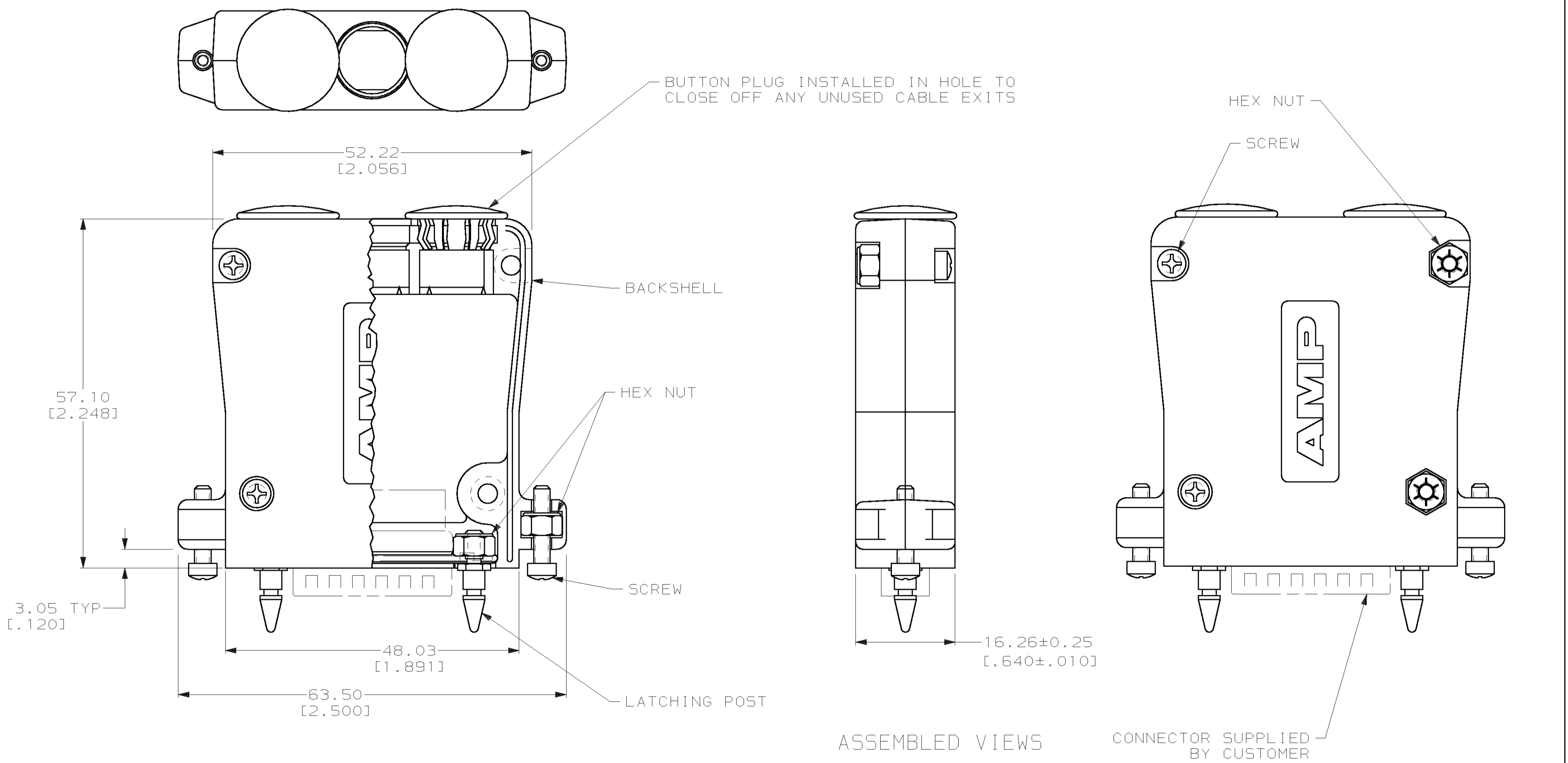
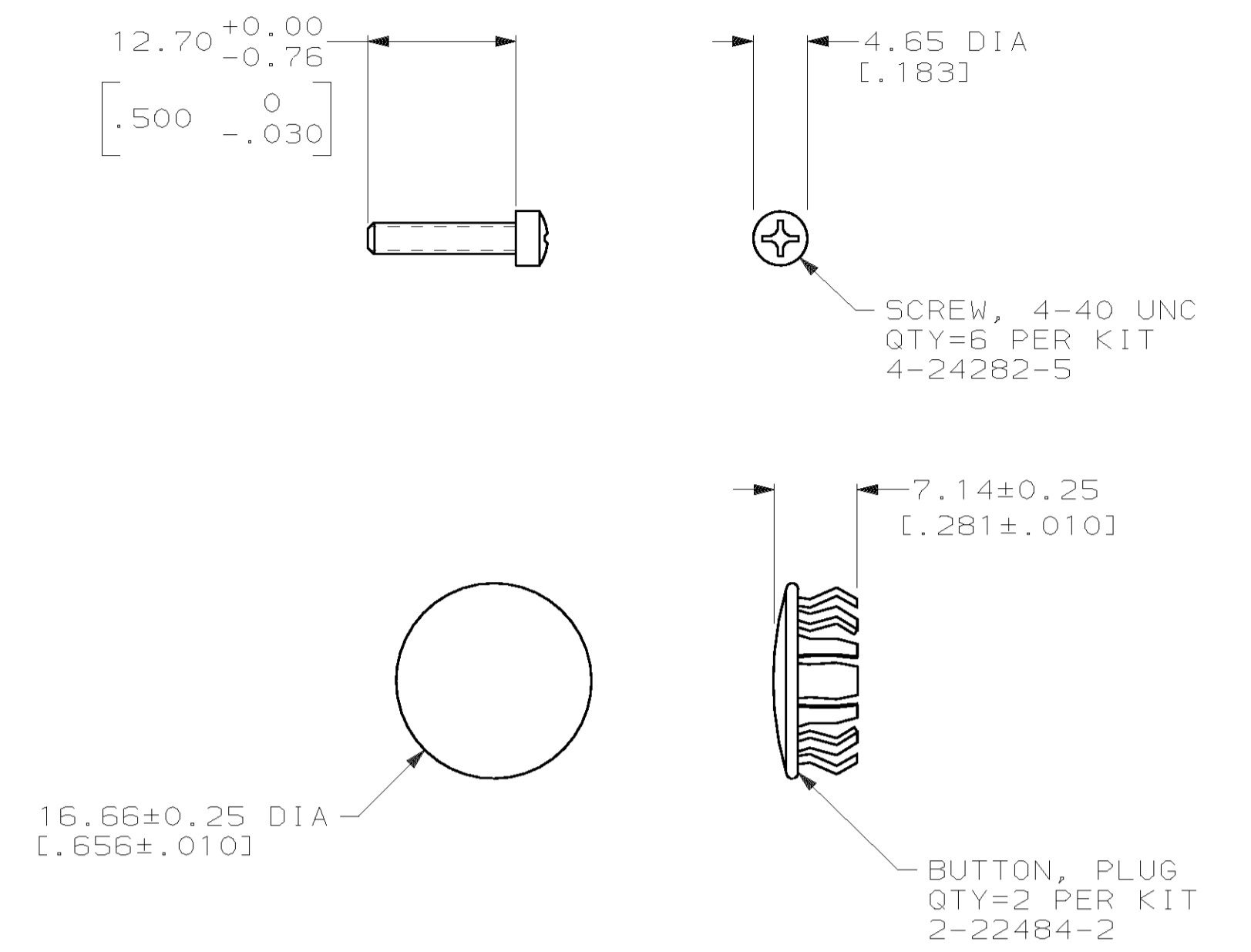
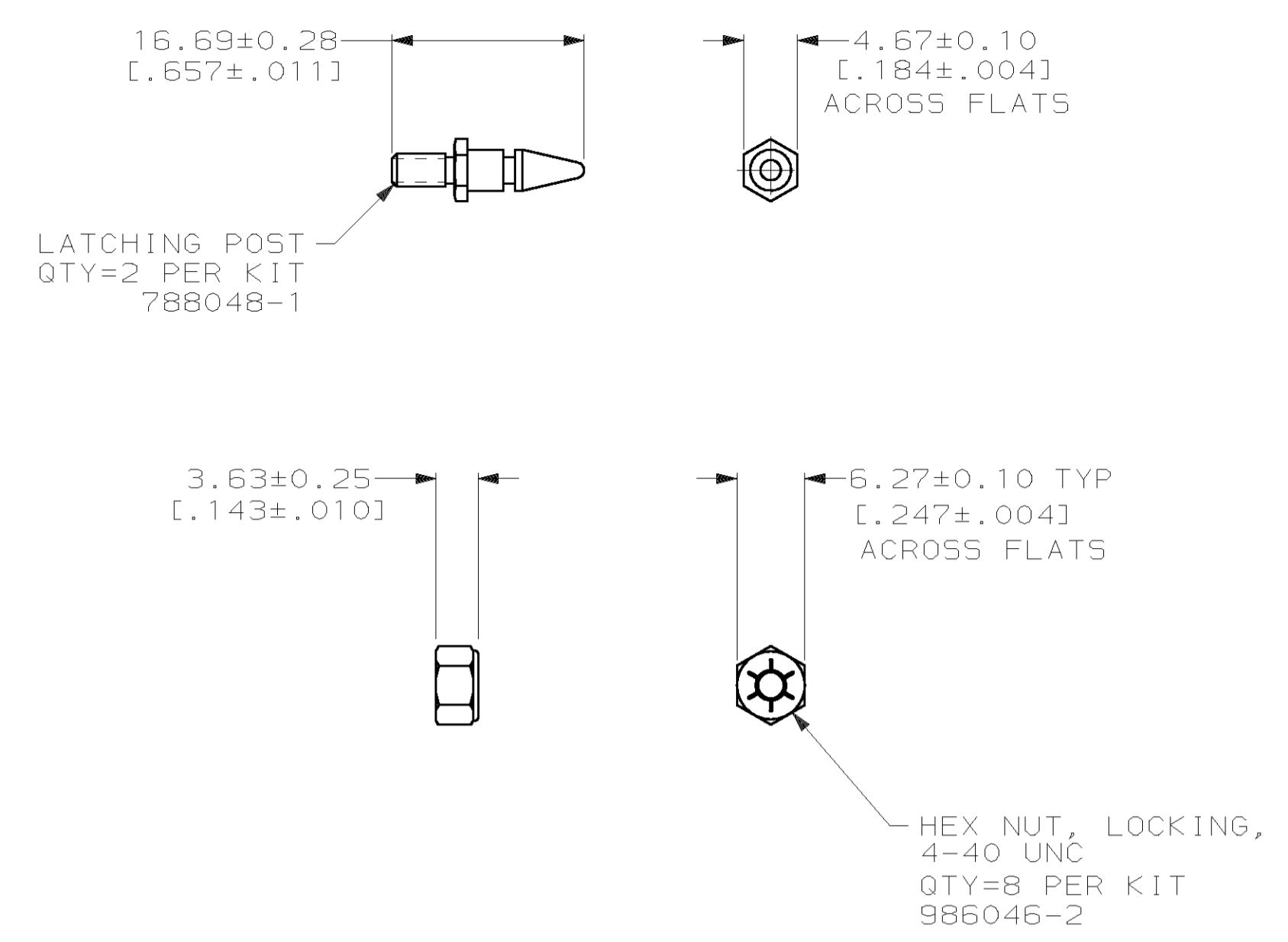
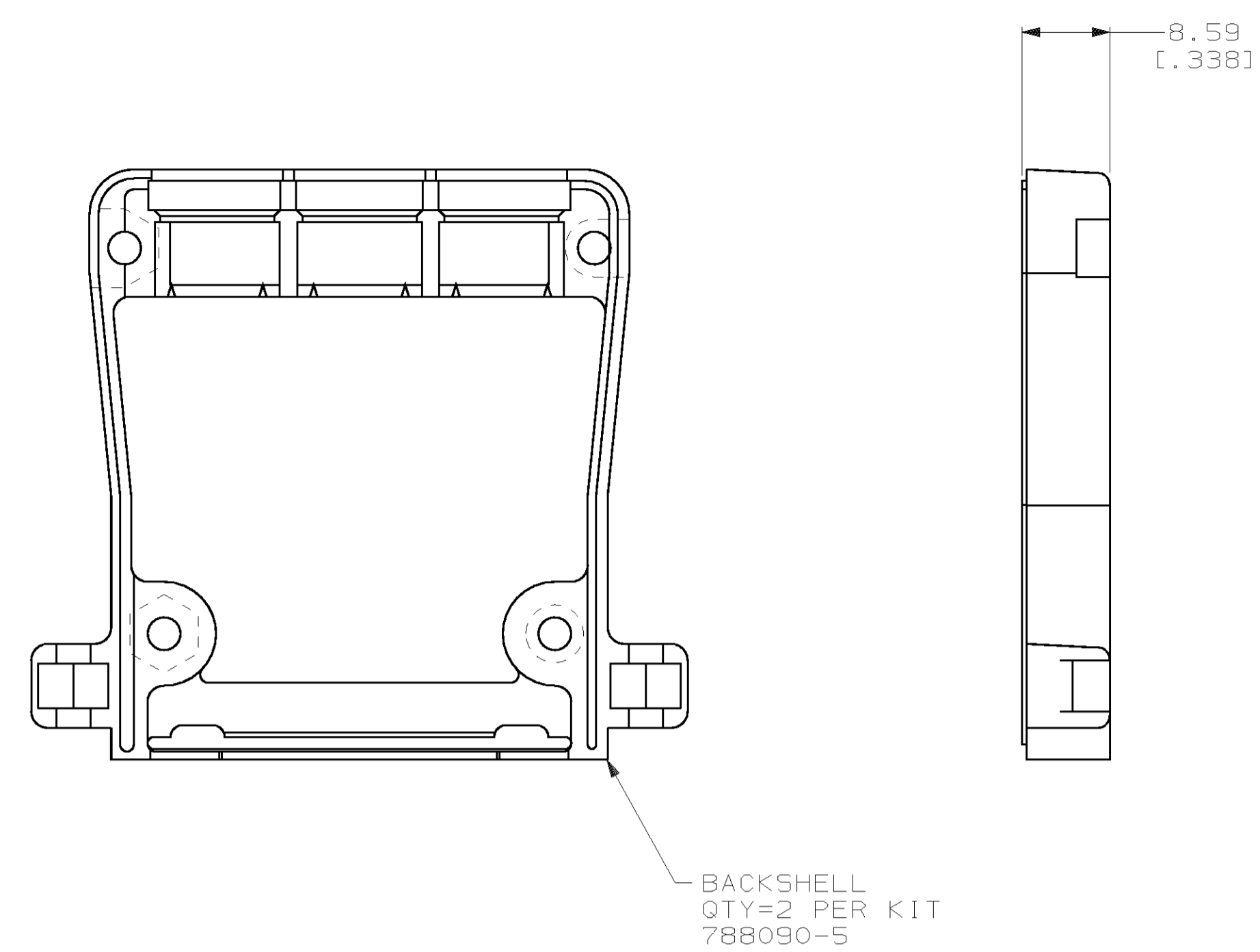


LOC	DIST	REV	DATE	BY	APPV
E	RLSE	PER NPR 23	11 APR 97	WGL	-
F	REV	PER EC 0320-159-97	20 MAY 97	BC	DK
G	REV	PER EC 0320-169-97	28 MAY 97	MB	GM
H	REV	PER EC 0640-321-98	28 AUG 98	MB	JO
J	REV	PER EC 0640-404-98	16 OCT 98	CO	JO
K	REV	PER EC 0U10-0021-99	8 MAR 00	JEB	CB



- 1 BACKSHELL, ABS, NATURAL. LATCHING POST: STAINLESS STEEL. SCREW, HEX NUT, AND BUTTON: CARBON STEEL.
- 2 BACKSHELL: 4.57µm[.000180] MIN NICKEL OVER 7.62µm[.000300] MIN COPPER, ALL OVER 0.25µm[.000010] MIN ELECTROLESS NICKEL. SCREW AND HEX NUT: ZINC; BUTTON: NICKEL; LATCHING POST: PASSIVATED.
- 3 KITS ARE INDIVIDUALLY PACKED.
- 4 KITS ARE BULK PACKED.

4	788074-2
3	788074-1
PART NUMBER	

THIS DRAWING IS A CONTROLLED DOCUMENT.		DWN W.G.LENKER 14 APR 97	03 OCT 96	<b>AMP</b> AMP Incorporated Harrisburg, PA 17105-3608
DIMENSIONS: mm (INCHES)		CHK R.STONE 14 APR 97	NAME G.D.MILLER	
TOLERANCES UNLESS OTHERWISE SPECIFIED:		PRODUCT SPEC 108-40032-1		BACKSHELL KIT, UNASSEMBLED, SIZE 2, IN-LINE, AMPLIMITE™
0 PLC ±.01		APPLICATION SPEC		
1 PLC ±.013 (1.005)		MATERIAL		SIZE A1
2 PLC ±.013 (1.005)		FINISH		CAGE CODE 00779
3 PLC ±.013 (1.005)		WEIGHT		DRAWING NO 788074
4 PLC ±.013 (1.005)		CUSTOMER DRAWING		SCALE 2:1
HARDNESS		SHEET		1 OF 1
REV		REV		