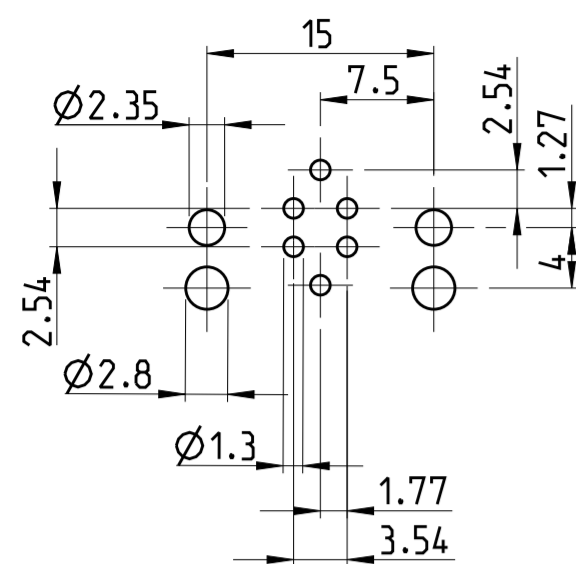


| REVISIONS | | DATE | DWN | APVD |
|--------------|-----|-----------|-----|------|
| ÄNDERUNGEN | | | | |
| DESCRIPTION | | | | |
| BESCHREIBUNG | | | | |
| P | LTR | | | |
| | A | 04DEC2014 | TJ | PS |
| | | | | |
| | | | | |

CONDUCTOR LAYOUT

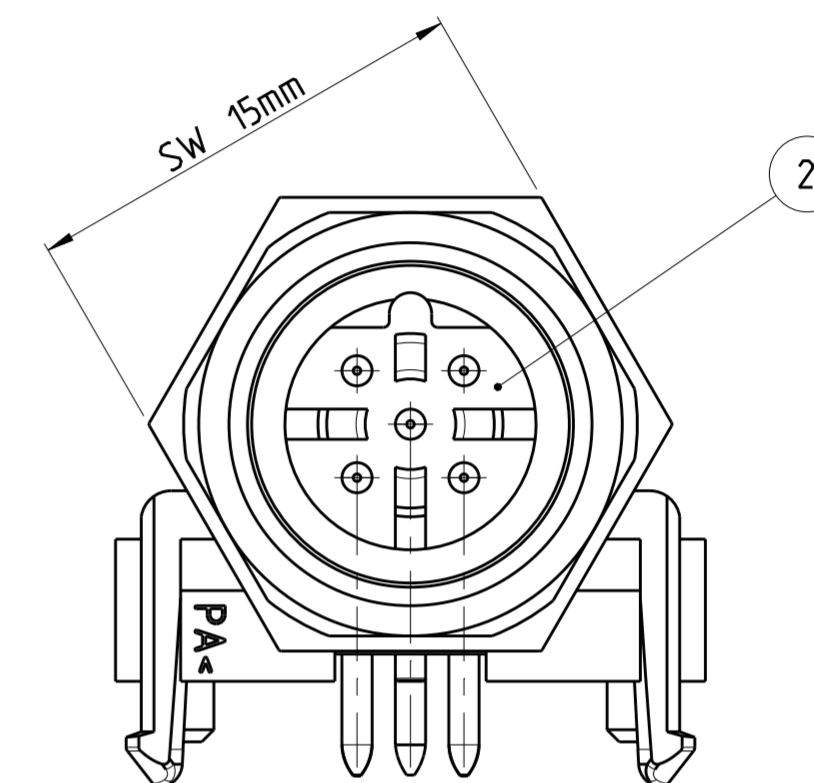
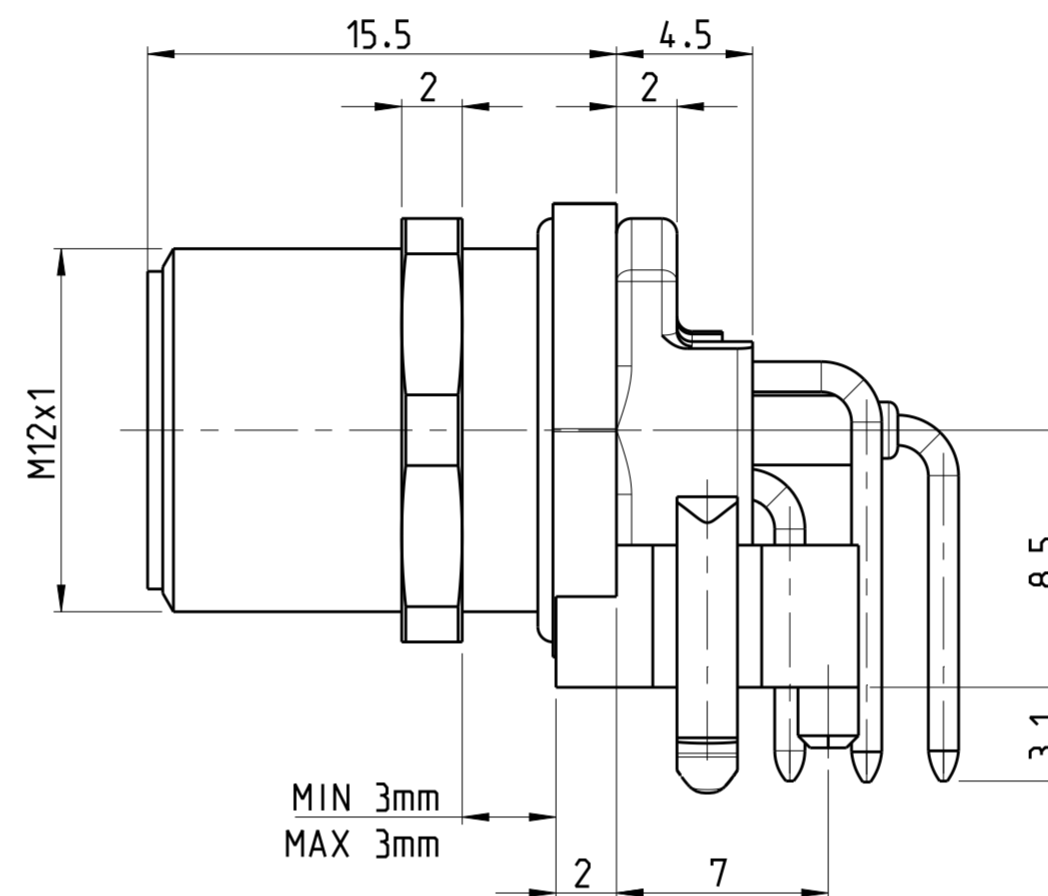
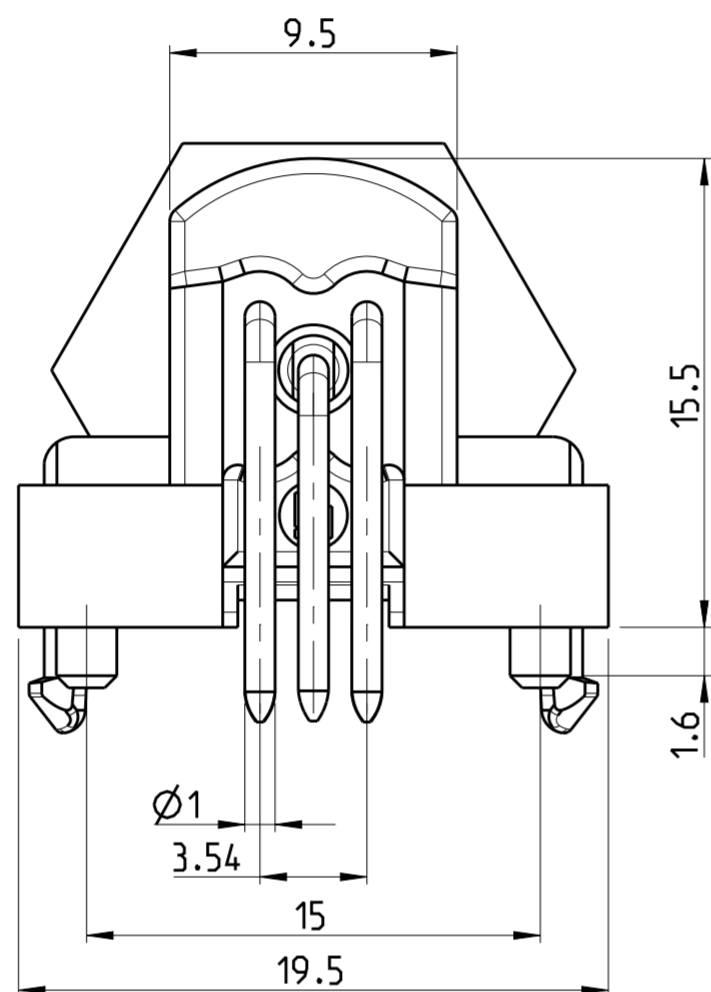


NOTES:

- 1 MATERIAL: ITEM NO. 1: HOUSING - CuZn (BRASS, NICKEL PLATED)
 ITEM NO. 2: CONTACT BODY - PA
 ITEM NO. 3: CONTACT - CuZn (BRASS)
 CONTACT FINISH - AU (GOLD)

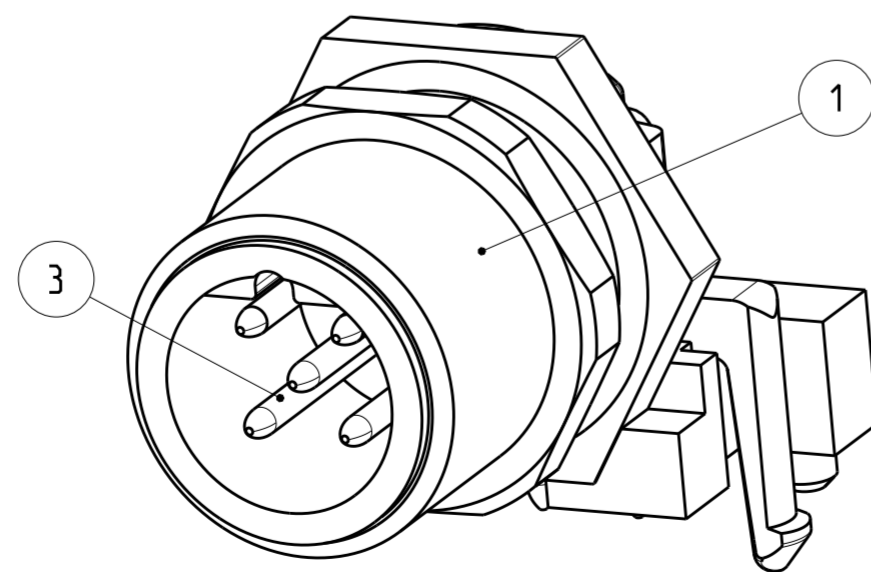
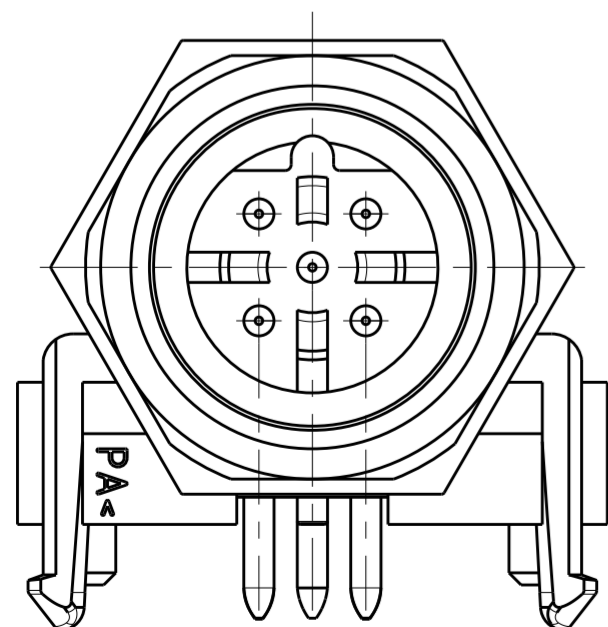
2 ALL DIMENSIONS ARE FOR NOMINAL REFERENCE ONLY UNLESS OTHERWISE STATED

| TECHNICAL DATA | 4-2172063-2 |
|-----------------------|-------------|
| RATED VOLTAGE | 125V |
| RATED IMPULSE VOLTAGE | 1500V |
| POLLUTION DEGREE | 3 |
| OVERVOLTAGE CATEGORY | II |
| MATERIAL GROUP | III |
| RATED CURRENT | 4A |
| VOLUME RESISTIVITY | ≤ 3mΩ |
| DEGREE OF PROTECTION | IP68 |
| UPPER TEMPERATURE | +85 °C |
| LOWER TEMPERATURE | +40 °C |



PIN ARRANGEMENT B-CODING

4-2172063-2



SIZE ISO 14405 (E)

| | | |
|--|--|------------------------------|
| DIESE ZEICHNUNG IST EIN KONTROLLIERTES DOKUMENT. BEMASSUNGEN UND TOLERANZEN GEMAESS GPS (ISO STANDARDS). | | DWN YASHKUMAR 25 JUL 2014 |
| THIS DRAWING IS A CONTROLLED DOCUMENT. DIMENSIONING AND TOLERANCING PER GPS (ISO STANDARDS). | | CHK M. BRUBAKER 25 JUL 2014 |
| DIMENSIONS: MASSE/WEITEN: (MM) | | APVD M. BRUBAKER 25 JUL 2014 |
| TOLERANCES UNLESS OTHERWISE SPECIFIED: ALLGEMEINTOLERANZEN | | NAME M. BRUBAKER |
| 0 PLC ± | | PRODUCT SPEC 108-19483 |
| 1 PLC ± | | APPLICATION SPEC 114-32127 |
| 2 PLC ± | | WEIGHT - |
| 3 PLC ± | | Customer Drawing |
| 4 PLC ± | | Customer Drawing |
| ANGLES/WINKEL ± | | Customer Drawing |
| FINISH/OBERFLÄCHE/FARBE | | Customer Drawing |
| SEE NOTES | | Customer Drawing |
| SEE NOTES | | Customer Drawing |

| | |
|----------|-------------|
| 5 | 4-2172063-2 |
| MATERIAL | TE-PART-NO. |

STE TE Connectivity

M12 RECEPTACLE, MALE, PCB MOUNT, ANGLED, SHIELDED, B-CODED

| | | | |
|--------------------|-----------------|--------------------------------------|-------------------------|
| SIZE A2 | CAGE CODE 00779 | DRAWING NO. ZEICHNUNGS-NR. C-2172063 | RESTRICTED TO NUR FÜR - |
| SCALE MASSSTAB 4:1 | SHEET BLATT 1 | OF VON 1 | REV A |