

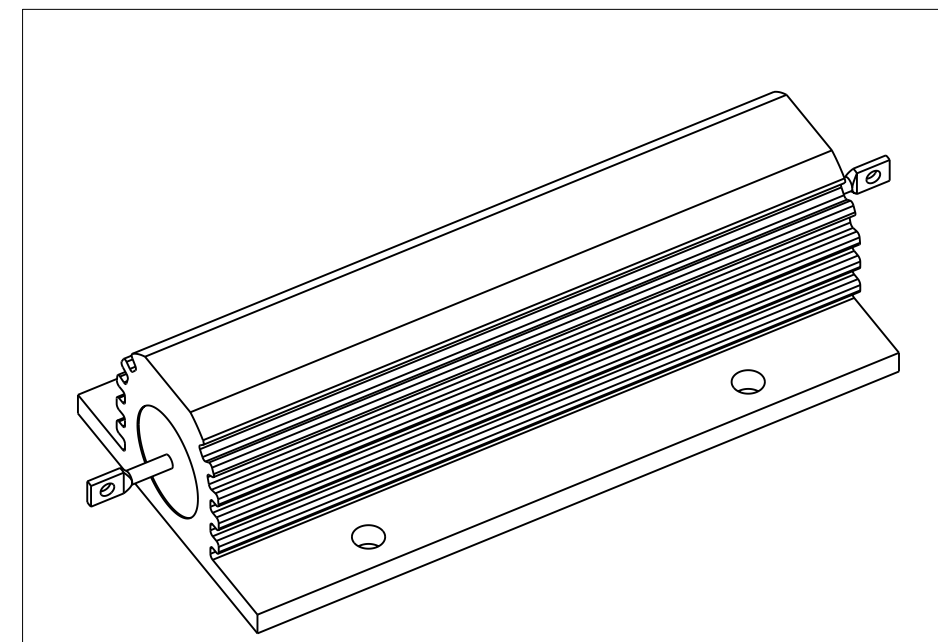
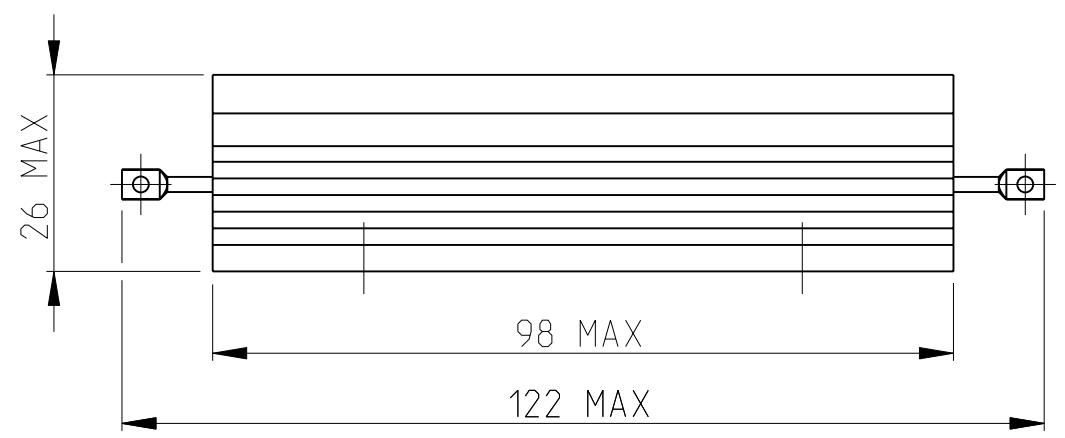
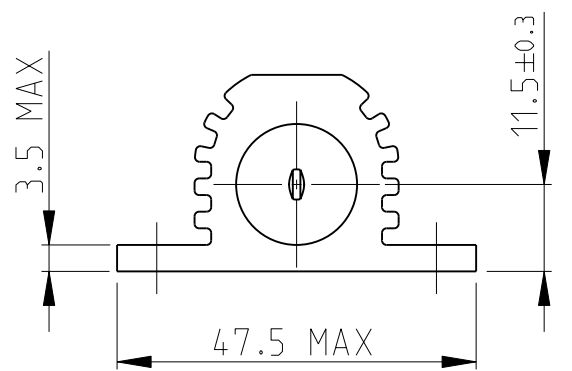
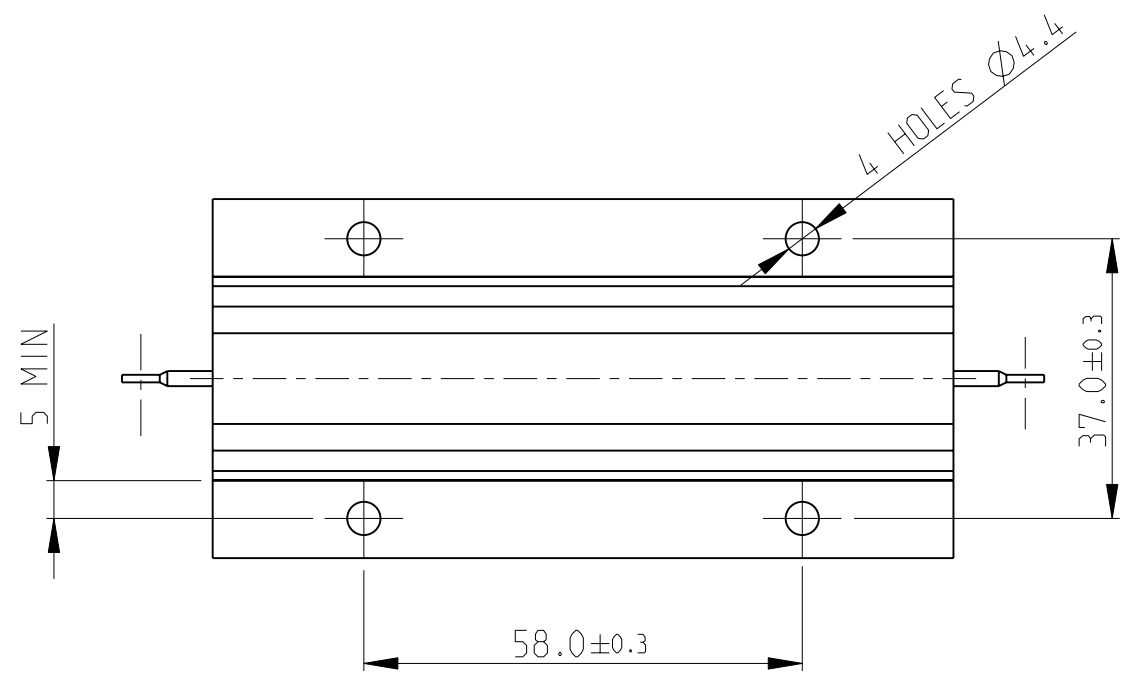
THIS DRAWING IS UNPUBLISHED. RELEASED FOR PUBLICATION SEP. 2005
 © COPYRIGHT 2005 BY TYCO ELECTRONICS CORPORATION. ALL RIGHTS RESERVED.

LOC	DIST	REVISIONS			
P	LTR	DESCRIPTION	DATE	DWN	APVD
E	B	A1	Released as per ECR-08-022292	4-Sep-08	SP JC

- 1 FOR FURTHER INFORMATION SEE DATA SHEET FOR HS SERIES-ALUMINIUM HOUSED RESISTORS
- 2 FOR A SPECIFIC PN FOR A RESISTANCE VALUE AND TOLERANCE, PLEASE REFER TO DMF
- 3 TECHNICAL SPECIFICATION

DISSIPATION AT 25°C : 150 WATTS MOUNTED ON STD HEATSINK
 OHMIC RANGE : R10 TO 100K
 STABILITY : ΔR < =2% PER 1000hrs
 ISOLATION VOLTAGE : 3500V DC/AC pk
 MAX WORKING VOLTAGE : 2500V DC/AC rms
 TEMPERATURE COEFFICIENT : > 1R0 50ppm
 > 100R 25ppm
 CLIMATIC CATEGORY : 55/200/56

RoHS Compliant



THIS DRAWING IS A CONTROLLED DOCUMENT FOR TYCO ELECTRONICS CORPORATION IT IS SUBJECT TO CHANGE AND THE CONTROLLING ENGINEERING ORGANIZATION SHOULD BE CONTACTED FOR THE LATEST REVISION.

DIMENSIONS:	TOLERANCES UNLESS OTHERWISE SPECIFIED:
mm	
0 PLC	±0.5
1 PLC	±0.2
2 PLC	±0.1
3 PLC	±
4 PLC	±
ANGLES	±5°
MATERIAL	FINISH
-	-

DWN	DAVE KENNEDY	28.SEP.05	Tyco Electronics Corporation Dorcan, Swindon, SN3 5HH		
CHK	J CATCHPOLE	28.SEP.05	NAME NHSC 150		
APVD	J CATCHPOLE	28.SEP.05	PRODUCT SPEC	SIZE	CAGE CODE
-	-	-	-	A3	00779
-	-	-	APPLICATION SPEC	DRAWING NO	©=1630013
-	-	-	WEIGHT	RESTRICTED TO	-
CUSTOMER DRAWING			SCALE	SHEET	REV
			1:1	1 OF 1	A1