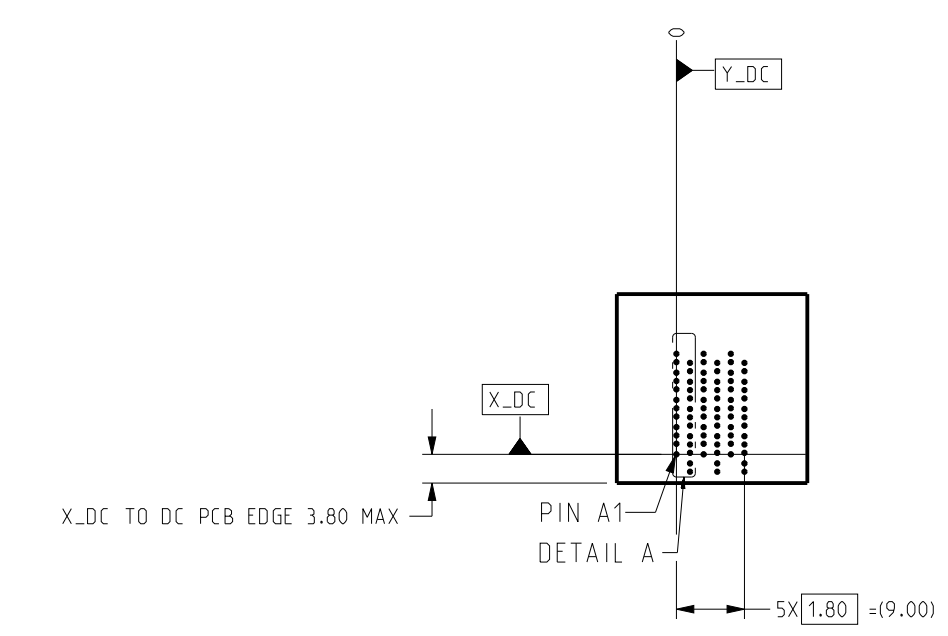
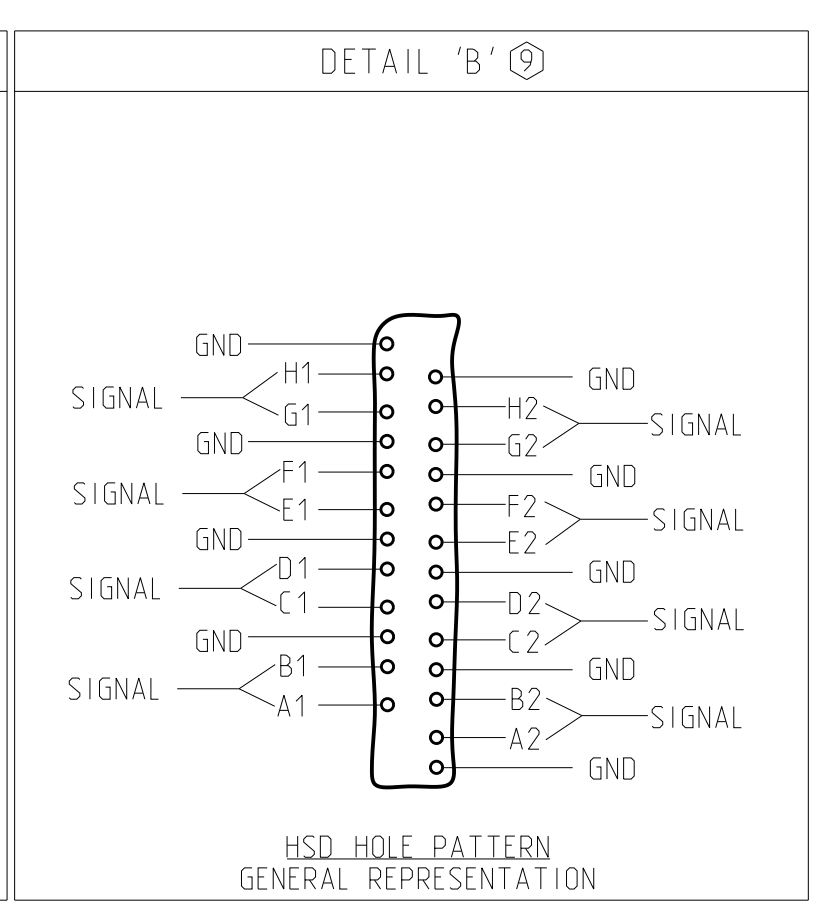
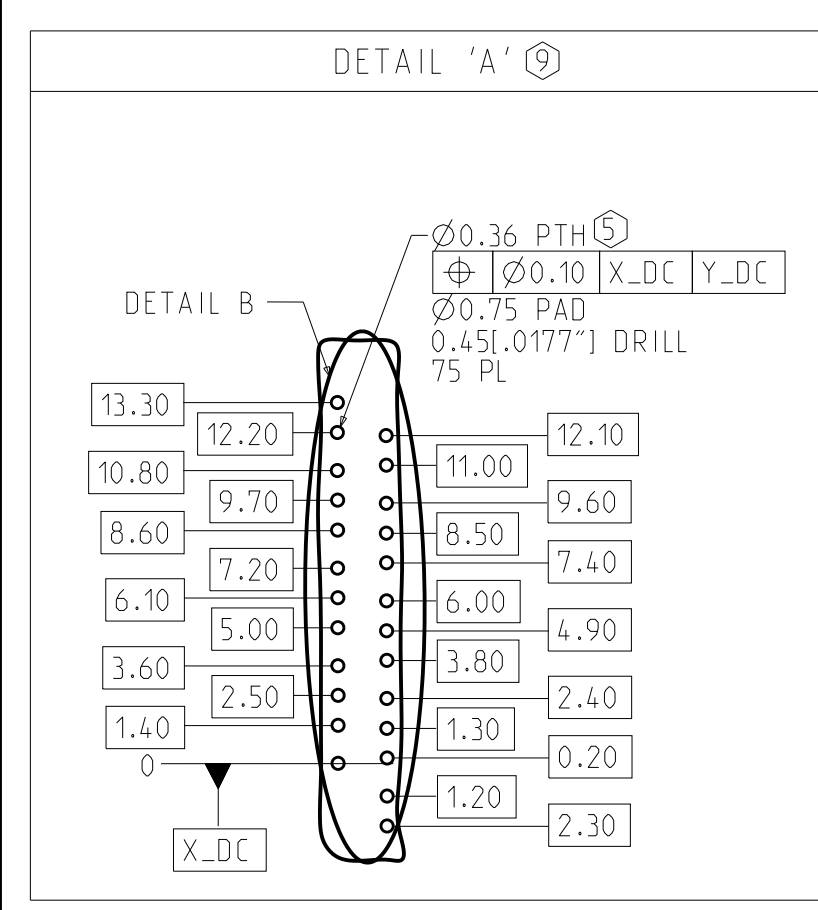
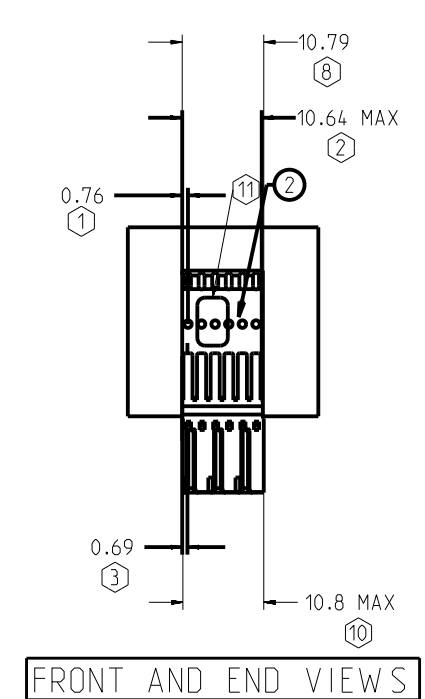


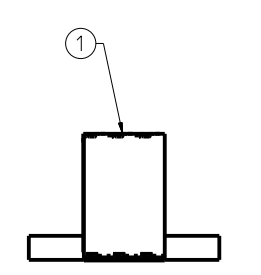
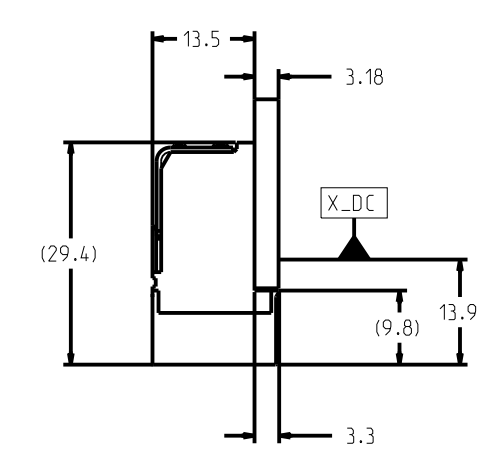
REV	ECN	DESCRIPTION	BY	DATE	APPROVED
A	JLIU-22111517	RELEASE TO PRODUCTION	J.LIU	12/02/2022	J.LIU



FRONT VIEW - DC HOLE PATTERN ONLY, CONNECTOR SIDE REFERENCED FROM LEFT MOST SIGNAL COLUMN, ALL DIMENSIONS BASIC



FRONT AND END VIEWS



BOTTOM VIEW MODULE LOCATIONS FROM LEFT END OF PLASTIC

ITEM	PART NUMBER	DESCRIPTION	QTY
1	922-401A-D3H	XCede HD 4PAIR HSD MOD w/ ORGANIZER, 6POS, 1000HMS, BIFURCATED, .0177" DRILL, NANO NI, STD GOLD	1
2	617-0450-010	XCede HD 4PAIR STIFFENER	1

NOTE: SEE FRONT VIEW FOR STIFFENER LENGTH.

NOTES:

- ① DISTANCE FROM FIRST STIFFENER PILOT HOLE TO LEFT END OF STIFFENER.
- ② TOTAL LENGTH OF STIFFENER.
- ③ DISTANCE FROM CENTERLINE OF 1ST COLUMN OF SIGNAL PLATED THRU HOLES TO LEFT EDGE OF STIFFENER.
- ④ MOUNTING SCREWS AND JOINER MODULES (IF PRESENT) TO BE BAGGED WITH EACH CONNECTOR ASSEMBLY.
- ⑤ STATED PAD SIZE MAY REQUIRE FILLETING. SEE TB-2237 FOR ROUTING, HOLE WALL PLATING THICKNESS AND FINISHED HOLE SIZE.
- ⑥ NA.
- ⑦ REFER TO TB-2235 FOR XCede HD PRODUCT SPECIFICATIONS.
- ⑧ OVERALL CONNECTOR LENGTH.
- ⑨ DETAIL VIEWS ARE NOT TO SCALE. DO NOT SCALE DRAWING.
- ⑩ FRONT HOUSING WIDTH. CONNECTORS CAN BE USED IN STACKABLE APPLICATION.
- ⑪ CONNECTOR IS LASER MARKED WITH MANUFACTURING INFORMATION. REFER TO DRAWING C-527-4133-000 FOR MARKING REQUIREMENTS AND DETAILS.

CUSTOMER: DISTRIBUTOR / XHD 4PAIR X 6. HSD 1000HMS

TOLERANCES	DESIGN	DATE	DESIGNER
0.0	±0.25	10/12/2022	J.LIU
0.00	±0.13	10/12/2022	AUTO GENERATED
0.000	±	10/12/2022	CHK J.LIU
ANGLES	± 3°	12/02/2022	APVD J.LIU

Amphenol TCS
A Division of Amphenol Corporation
200 Innovative Way, Nashua, NH 03062 603.879.3000

TITLE: XCede HD DAUGHTERCARD ASSEMBLY
4 PAIR CONNECTOR, LEADFREE

PART NO. JX410-51599
DRAWING NO. C-JX410-51599

UNLESS OTHERWISE SPECIFIED DIMENSIONS ARE IN MM AND DECIMAL MARKER IS A PERIOD.

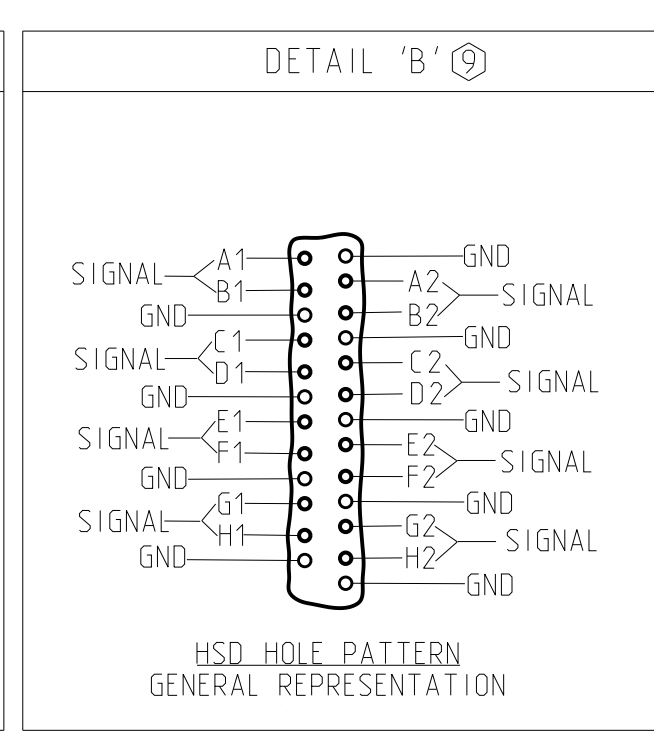
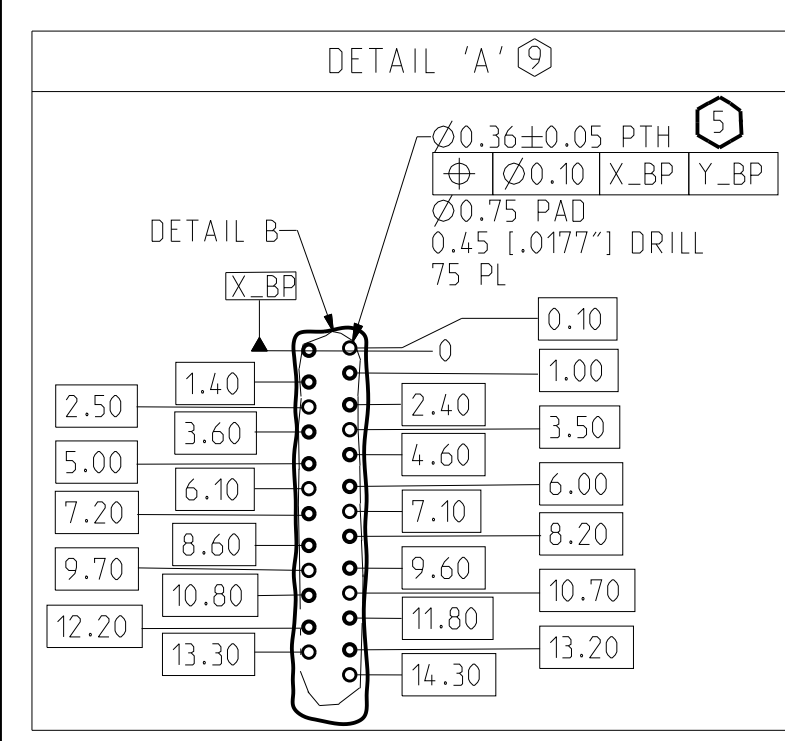
CUSTOMER USE DRAWING

INTERPRET PER ANSI Y14.5
CODE IDENT 31413

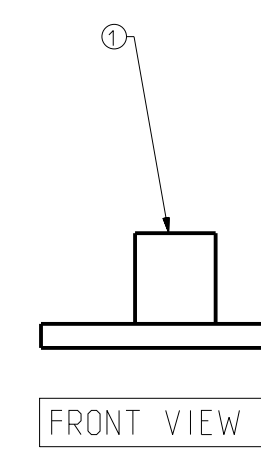
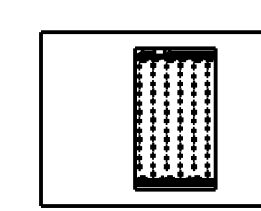
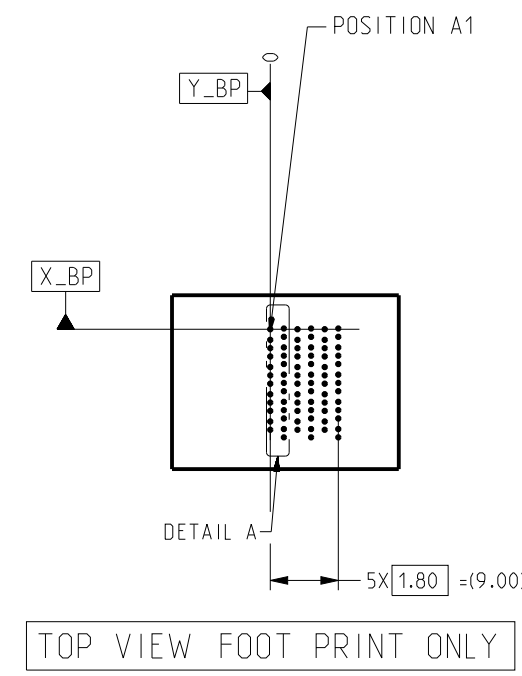
SCALE 1/1
SHEET 1 OF 2

AMPHENOL TCS/DC HD CONDUCTOR: VER02/03

REV	ECN	DESCRIPTION	BY	DATE	APPROVED
		SEE SHEET 1			



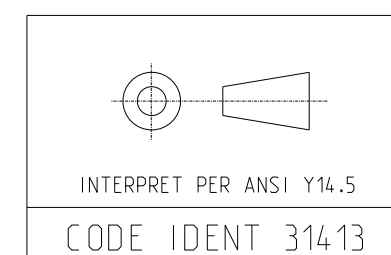
FOR REFERENCE ONLY; FOR SPECIFIC DETAILS, SEE C-USE DRAWINGS FOR BACKPLANE MODULES IN TABLE 2
BACKPLANE COMPONENTS MUST BE PURCHASED SEPARATELY AND MAY DIFFER FROM EXAMPLE SHOWN



ITEM	PART NUMBER	DESCRIPTION	QTY
1	923-400C-40H	XCede HD 4PAIR 6POS. OPEN, 3MM W IPE, .0177" DRILL, NANO NI, STD GOLD	1

CUSTOMER: DISTRIBUTOR / XHD 4PAIR X 6, HSD 1000HMS

TOLERANCES	DESIGN 10/12/2022 J.LIU	Amphenol TCS A Division of Amphenol Corporation 200 Innovative Way, Nashua, NH 03062 803.879.3000 TITLE XCede HD BACKPLANE ASSEMBLY 4 PAIR CONNECTOR, LEADFREE PART NO. JX410-51599 DRAWING NO. C-JX410-51599 CRED FILES JX410-51599_BP_ASM JX410-51599_BP.DRW	REV A	
0.0 ±0.25	DRAWN 10/12/2022 AUTO GENERATED			
0.00 ±0.13	CHK 10/12/2022 J.LIU			
0.000 ± -	APVD 12/02/2022 J.LIU			
ANGLES ± 3°				
UNLESS OTHERWISE SPECIFIED DIMENSIONS ARE IN MM AND DECIMAL MARKER IS A PERIOD.		SIZE D	SCALE 1/1	SHEET 2 OF 2



CUSTOMER USE
DRAWING