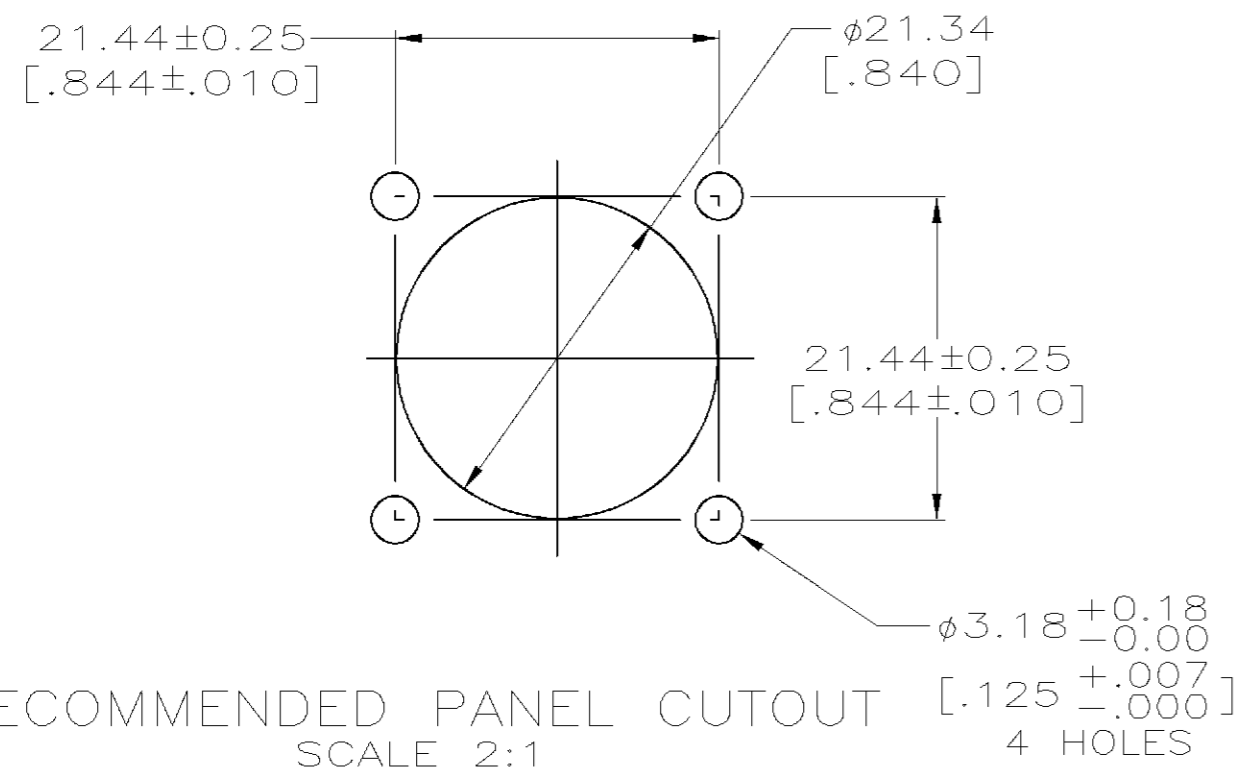
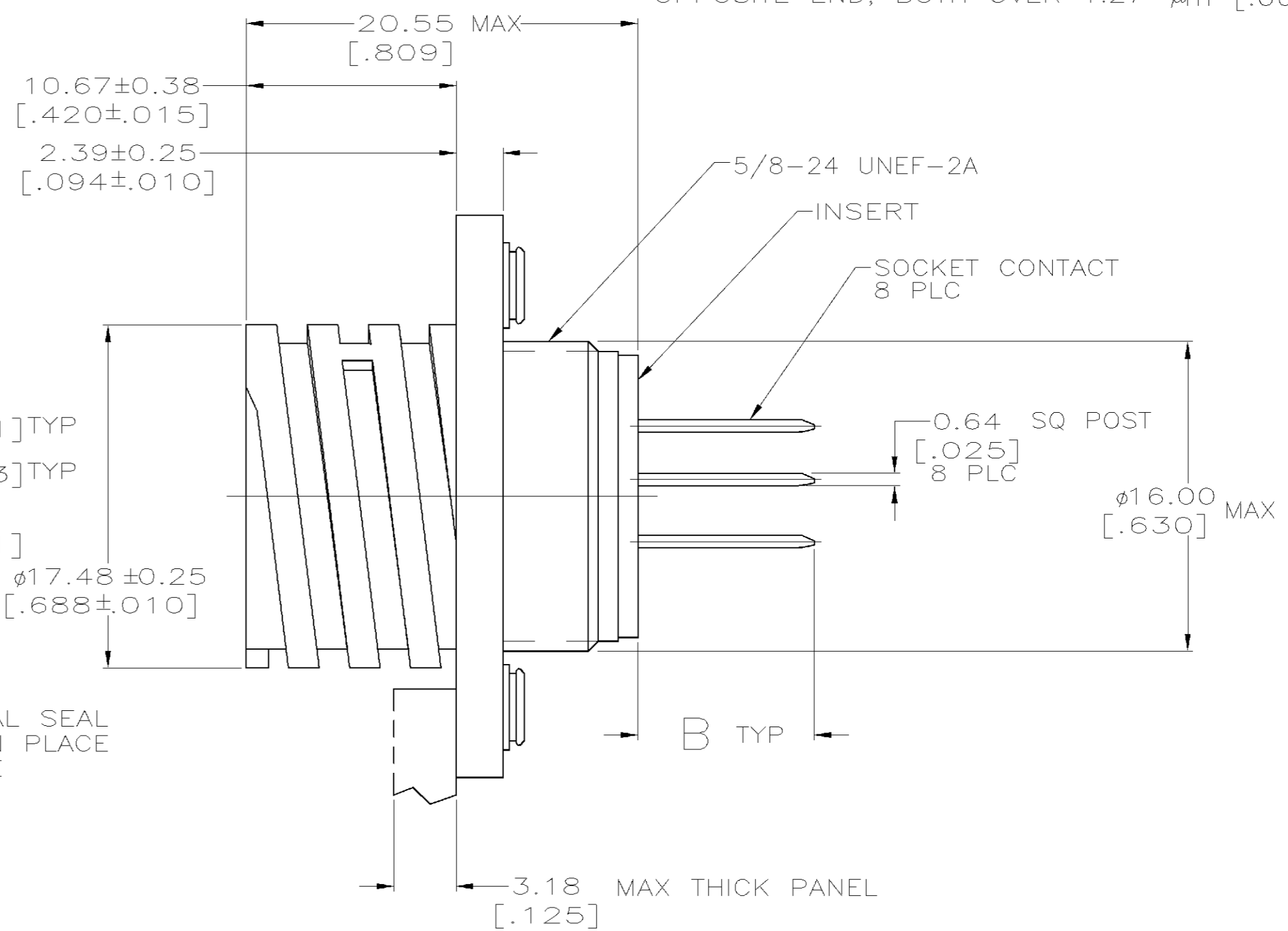
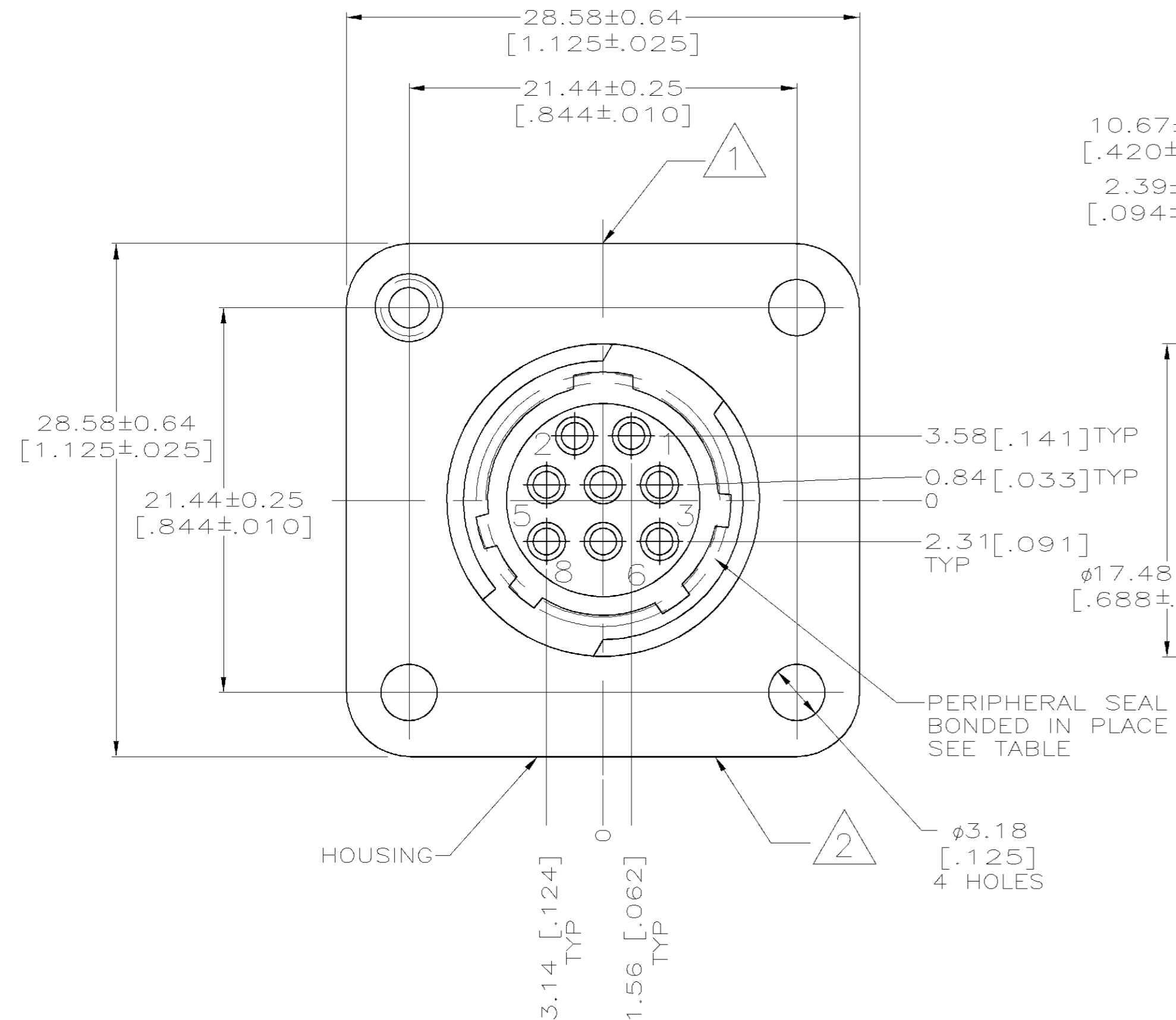


THIS DRAWING IS UNPUBLISHED. RELEASED FOR PUBLICATION
 © COPYRIGHT BY TYCO ELECTRONICS CORPORATION. ALL RIGHTS RESERVED.

LOC		DIST		REVISIONS			
P	LTR	DESCRIPTION	DATE	DWN	APVD		
	G	REVISED PER 0G3B-0262-02	5/21/02	SS	SH		

- ① AMP MOLDED ON THIS SURFACE.
- ② PART NUMBER AND DATE CODE MARKED ON THIS SURFACE.
- ③ NYLON, GLASS FILLED, FLAME RETARDANT, BLACK.
- ④ 0.76 μm [.000030] MIN GOLD FOR A LENGTH OF 2.54 [.100] MIN FROM MATING END, 2.54 μm [.000100] MIN TIN-LEAD FOR A LENGTH OF 9.70 [.382] MIN FROM OPPOSITE END, BOTH OVER 1.27 μm [.000050] MIN NICKEL.



	PERIPHERAL SEAL	THREADED INSERT	DIM B	PART NUMBER
PRELIMINARY	NO	NO	12.17±0.76 [.479±.030]	208657-8
	YES	YES	14.58±0.76 [.574±.030]	208657-7
OBSOLETE	NO	NO	8.94±0.76 [.352±.030]	208657-6
	NO	YES	14.58±0.76 [.574±.030]	208657-5
	NO	YES	-	208657-4
OBSOLETE	NO	NO	-	208657-3
OBSOLETE	NO	NO	8.94±0.76 [.352±.030]	208657-2
	NO	NO	8.94±0.76 [.352±.030]	208657-1

THIS DRAWING IS A CONTROLLED DOCUMENT.

DWN	L. SIPE	05/16/90	Tyco Electronics Corporation Harrisburg, PA 17105
CHK	J. McCLINTON	5/30/90	
APVD	M. KAPEZYNSKI	5/30/90	
NAME	M. KAPEZYNSKI		
PRODUCT SPEC			POSTED RECEPTACLE ASSEMBLY, ARRANGEMENT 11-8, TYPE 20 DF CONTACTS, CPC
APPLICATION SPEC			
MATERIAL			SIZE
4-40 THREADED INSERTS: BRASS			CAGE CODE
HOUSING AND INSERT: NYLON			DRAWING NO
SOCKET CONTACTS: PHOSPHOR BRONZE			RESTRICTED TO
FINISH			WEIGHT
SOCKET CONTACTS: ④			A2
CUSTOMER DRAWING			SCALE
			4:1
			SHEET
			1 OF 1
			REV
			G

208657-8