

PGA2505EVM

This document provides the information needed to set up and operate the PGA2505EVM evaluation module (EVM) and accompanying software. For a detailed description of the [PGA2505](#) device, please refer to the [product data sheet](#) available from the Texas Instruments web site at www.ti.com. Additional support documents are listed in the section of this guide entitled [Related Documentation from Texas Instruments](#).

Contents

1	Preface	2
2	Introduction	3
3	Getting Started	6
4	Setup Guide	7
5	Software Installation and Operation	10
6	Schematic, PCB Layout, and Bill of Materials	15

List of Figures

1	PGA2505 Functional Block Diagram	3
2	PGA2505 Serial Port Protocol	4
3	Functional Block Diagram for the PGA2505EVM.....	6
4	Recommended Power-Supply Connections.....	7
5	Microphone Input Connector Configuration	8
6	Preamp Output Connector Configuration.....	9
7	PGA2505EVM Software Setup Screen.....	11
8	PGA2505EVM Software Installation Directory Screen	11
9	PGA2505EVM Software Program Group Selection Panel.....	12
10	File Version Conflict Dialog Window	12
11	PGA2505EVM Software Setup Completion	13
12	Applications Software Device Panel	13
13	Schematic	15
14	PGA2505EVM PCB Silkscreen.....	16
15	PGA2505EVM PCB Top Layer (Component Side)	17
16	PGA2505EVM PCB Bottom Layer (Solder Side)	18

List of Tables

1	Absolute Maximum Operating Conditions	7
2	Jumper Configuration Quick Reference	10
3	PGA2505EVM Bill of Materials	19

1 Preface

1.1 How to Use This Manual

Throughout this document, the abbreviation *EVM* and the term *evaluation module* are synonymous with the PGA2505EVM.

[Section 2](#) provides an overview for the PGA2505 digitally-controlled microphone preamplifier. The PGA2505EVM block diagram and primary features are also discussed.

[Section 3](#) provides general information regarding EVM handling and unpacking, as well as the absolute operating conditions for the EVM.

[Section 4](#) provides descriptions of the primary hardware functions, as well as hardware configuration details for the EVM.

[Section 5](#) provides the information required to install and operate the PGA2505EVM applications software using a personal computer running the Microsoft® Windows® 9x, 2000, or XP operating systems.

[Section 6](#) includes the EVM electrical schematic, printed circuit board (PCB) layout, and the bill of materials.

1.2 Related Documentation From Texas Instruments

The following documents provide information regarding Texas Instruments integrated circuits used in the assembly of the PGA2505EVM. These documents are available from the TI web site. The last character of the literature number corresponds to the document revision, which is current at the time of the writing of this User's Guide. Newer revisions may be available from the TI web site at <http://www.ti.com/> or call the Texas Instruments Literature Response Center at (800) 477-8924 or the Product Information Center at (972) 644-5580. When ordering, identify the document(s) by both title and literature number.

Document	Literature Number
PGA2505 Product Data Sheet	SBOS396
SN74AHCT541 Product Data Sheet	SCLS2690

1.3 Information About Cautions and Warnings

This book contains caution statements. The information in a caution is provided for your protection. Please read each caution carefully.

CAUTION

This is an example of a caution statement. A caution statement describes a situation that could potentially damage your software or equipment.

1.4 If You Need Assistance

If you have questions either regarding the use of this evaluation module or the information contained in the accompanying documentation, please contact the Texas Instruments Product Information Center at (972) 644-5580 or visit the TI Semiconductor Online Technical Support pages at www.ti.com.

1.5 FCC Warning

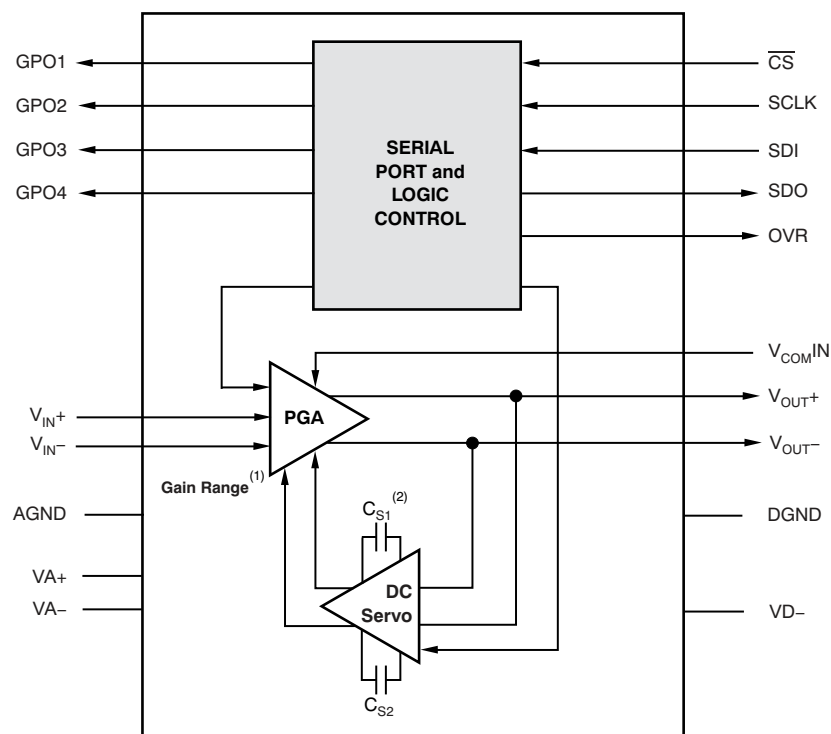
This equipment is intended for use in a laboratory test environment only. It may generate, use, or radiate radio frequency energy and has not been tested for compliance with the limits of computing devices pursuant to subpart J of part 15 of the FCC regulations, which are designed to provide reasonable protection against radio frequency interference. Operation of this equipment in other environments may cause interference with radio communications, in which case the user at his own expense will be required to take whatever measures may be required to correct this interference.

2 Introduction

This chapter provides a brief technical overview for the PGA2505 digitally-controlled microphone preamplifier, as well as a general description and feature list for the PGA2505EVM.

2.1 PGA2505 Product Overview

The PGA2505 is a digitally-controlled, microphone preamplifier integrated circuit designed for amplifying the output of dynamic and condenser microphones and driving high-performance audio analog-to-digital (A/D) converters. A functional block diagram of the PGA2505 is shown in [Figure 1](#).



(1) Gain Range: 0dB, or +9dB to +60dB (3dB/step).

(2) C_{S1} and C_{S2} are external dc servo integrator capacitors, and are connected across the C_{S11}/C_{S12} and C_{S21}/C_{S22} pins, respectively.

Figure 1. PGA2505 Functional Block Diagram

The analog input to the preamplifier is provided differentially at the V_{IN+} and V_{IN-} inputs (pins 24 and 23, respectively). The programmable gain amplifier can be programmed to either unity gain, or adjustable over the full 9dB to 60dB range in 3dB steps. The differential output of the PGA2505 is made available at V_{OUT+} and V_{OUT-} (pins 15 and 14, respectively). Gain is controlled using a serial port interface (SPI).

The four-wire serial port interface is used to program the PGA2505 gain and support functions. A 16-bit control word is used to program these functions, as Figure 2 illustrates. A serial data output pin provides support for daisy-chaining multiple PGA2505 devices on a single serial interface bus.

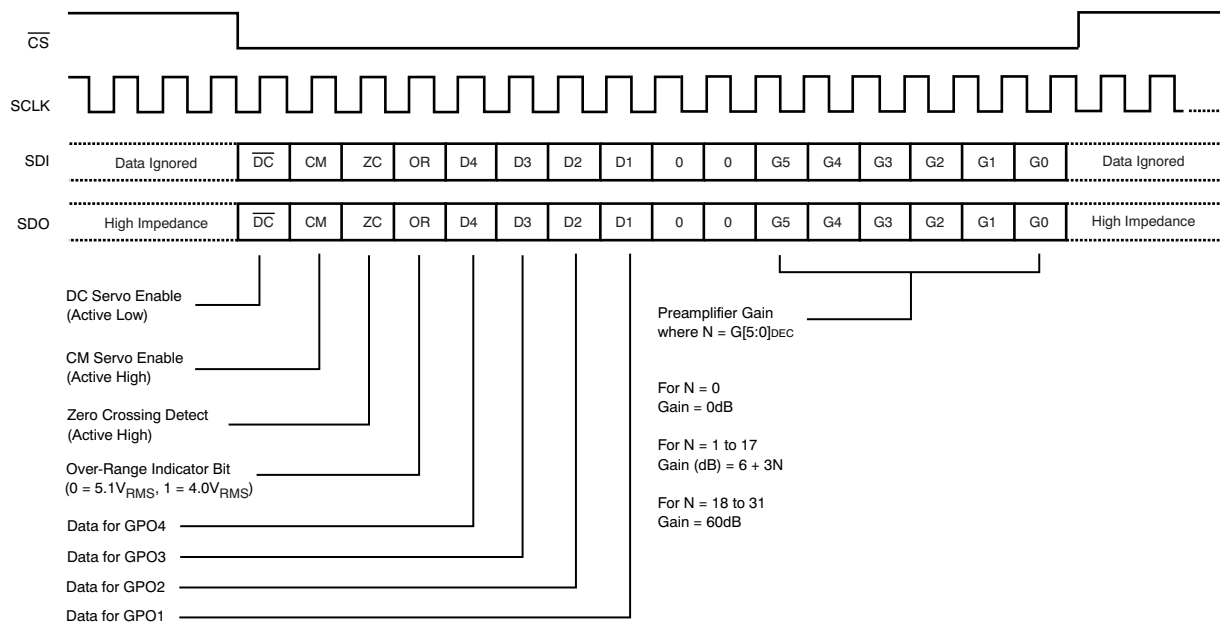


Figure 2. PGA2505 Serial Port Protocol

The differential analog output of the PGA2505 is constantly monitored by a dc servo amplifier loop. When enabled, the purpose of the servo loop is to minimize the dc offset voltage present at the analog outputs by feeding back an error signal to the input stage of the programmable gain amplifier. The error signal is then used to correct the offset. The DC servo may be disabled by setting the DC bit in the serial control word to '1', as shown in Figure 2.

Two external capacitors are required for the dc servo loop to function properly, with one capacitor connected between C_{S11} and C_{S12} (pins 21 and 20), and the second capacitor connected between C_{S21} and C_{S22} (pins 19 and 18). Capacitor values up to $4.7\mu\text{F}$ are recommended. However, larger valued capacitors can be used, but will result in longer settling times for the dc servo loop. A value of $1\mu\text{F}$ is sufficient for use in most microphone preamplifier applications.

The PGA2505 also includes a common-mode servo function. This function can be enabled and disabled using the CM bit in the serial control word. When enabled, the CM servo provides common-mode negative feedback at the input differential pair, resulting in very low common-mode input impedance. Note that the differential input impedance is not affected by this feedback. This function is useful when the source is floating, or has a high common-mode output impedance, such as with a decoupling capacitor. In this case, the only connection between the source and the ground will be through the PGA2505 preamplifier input resistance.

With CM enabled, input common-mode parasitic current is determined by high output impedance of the source, not by input impedance of the amplifier. Therefore, input common-mode interference can be reduced by lowering the common-mode input impedance without increasing the input common-mode current. Increasing common-mode current degrades common-mode rejection. Using the common-mode servo loop, overall common-mode rejection (or CMRR) can be improved by suppressing low and medium frequency common-mode interference.

The common-mode servo function is designed to operate with a total common-mode input capacitance (including the microphone cable capacitance) of up to 10nF . Beyond this limit, stable servo operation is not ensured.

The common-mode voltage control input, named V_{COMIN} (pin 22), allows the PGA2505 output and input to be dc-biased to a common-mode voltage between 0V and $+2.5\text{V}$. This architecture allows for a dc-coupled interface between the PGA2505 preamplifier output and the inputs of common single-supply audio analog-to-digital (A/D) converters.

The zero-crossing control bit, ZC in the serial control word, is provided for enabling and disabling the internal zero-crossing detector function. Setting the ZC bit high enables the function. Zero-crossing detection is used to ensure gain changes on zero crossings of the analog input signal. This limits the glitch energy associated with the switched gain network, thereby minimizing audible artifacts at the preamplifier output. Because zero-crossing detection can add some delay when performing gain changes (up to 16ms maximum for a detector timeout event), there may be some cases where the user may wish to disable this function. Forcing the ZC bit low disables zero-crossing detection, and gain changes will occur immediately when programmed.

A timeout function is implemented when ZC is held low, ensuring a maximum timeout detection limit of 16ms.

An over-range indicator output, OVR, is provided at pin 6. The over-range output is forced high when the preamplifier output voltage exceeds one of two preset thresholds. The threshold is programmed through the serial port interface using the OR bit. If OR = '0', then the threshold is set to $5.1V_{RMS}$ differential, which is approximately 1dB below the specified output voltage range. If OR = '1', then the threshold is set to $4.0V_{RMS}$ differential, which is approximately 3dB below the maximum specified output voltage range.

The PGA2505 includes four general-purpose programmable digital outputs, named GPO1 through GPO4 (pins 2 through 5, respectively), which are controlled via the serial port interface. All four pins are CMOS-logic-level outputs. These pins may be used to control relay drivers or switches used for external preamplifier functions, including input pads, filtering, polarity reversal, or phantom power.

2.2 **PGA2505EVM Features**

The PGA2505EVM provides a convenient platform for evaluating the performance and features of the PGA2505 device. Key EVM features include the following:

- Accepts either XLR- or TRS-balanced input connections
- Configurable front-end circuit options for prototyping pads and filters
- XLR-balanced output with flexible output loading options
- Buffered PC parallel and DATA_IN ports provide host interface connections
- DATA_OUT port allows daisy-chaining of multiple PGA2505EVM boards
- Register readback function supports host interface diagnostic capability
- LED indicators for GPOs and the over-range output (OVR)
- Common-mode voltage input (V_{COMIN}) terminal
- Includes applications software that is compatible with most personal computers with a built-in parallel port and equipped with Microsoft Windows 9x, 2000, or XP operating systems
- Requires +5V and -5V analog supplies, as well as a +5V digital supply

2.3 PGA2505EVM Block Diagram

The primary functions of the PGA2505EVM are shown in [Figure 3](#). Configurable input and output circuitry provide convenient prototype options, while the buffered host interface supports the supplied applications software and alternate host configurations.

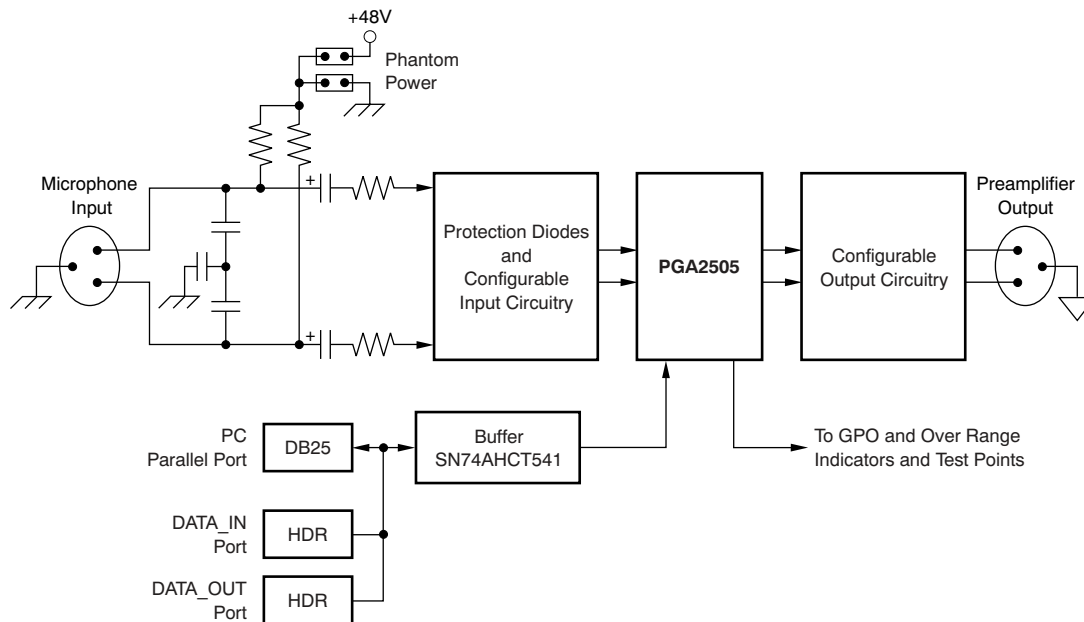


Figure 3. Functional Block Diagram for the PGA2505EVM

3 Getting Started

This chapter provides information about handling and unpacking the PGA2505EVM, as well as the absolute operating conditions for the board.

3.1 Electrostatic Discharge Warning

Many of the components on the PGA2505EVM are susceptible to damage by electrostatic discharge (ESD). Customers are advised to observe proper ESD handling precautions when unpacking and handling the EVM. Failure to observe ESD handling procedures may result in damage to the EVM components.

CAUTION

Failure to observe ESD handling procedures may result in damage to the EVM.

3.2 Unpacking the EVM

Upon opening the PGA2505EVM package, please verify that the following items are included:

- One PGA2505EVM evaluation module
- One CD-ROM, containing the applications software and support documents
- One straight-through cable, DB25 male to DB25 female, for PC parallel port interface
- One printed PGA2505EVM Evaluation Module User's Guide (TI literature number [SBOU078](#))
- One printed PGA2505 data sheet (TI literature number [SBOS396](#))

If any of these items are missing, please contact the Texas Instruments Product Information Center at (972) 644-5580 to inquire about replacements.

3.3 Absolute Operating Conditions Warning

CAUTION

Exceeding the absolute operating conditions may result in permanent damage to the EVM and/or the equipment attached to it.

The user should be aware of the absolute maximum operating conditions for the evaluation module. [Table 1](#) summarizes the critical parameters.

Table 1. Absolute Maximum Operating Conditions

Parameter	Maximum Condition
Power-Supply Voltages ⁽¹⁾	
VA+	+5.5V dc
VA-	-5.5V dc
VCOM	-0.3V dc to (VA+) + 0.3V dc
VCC	+5.5V dc
Phantom Power	+50V dc
Microphone Input (J1), XLR, or TRS ⁽²⁾	
Maximum Input Voltage, Differential	20.0V _{PP} (or 7.0V _{RMS})
Digital Input Voltage ⁽²⁾	
Parallel Port (J5), DATA_IN (J6), and DATA_OUT (J7)	-0.3V Minimum to +5.5V

(1) Referenced to the GND terminal of connector J4.

(2) Assumes VA+ = +5.0V and VA- = -5.0V.

4 Setup Guide

This chapter provides descriptions of the hardware components that make up the PGA2505EVM. In addition, configuration information for power supplies, analog input and output connections, and jumpers are provided.

4.1 Analog and Digital Power Supplies

All analog and digital power supplies are connected through terminal block J4. [Figure 4](#) shows the recommended power-supply connections.

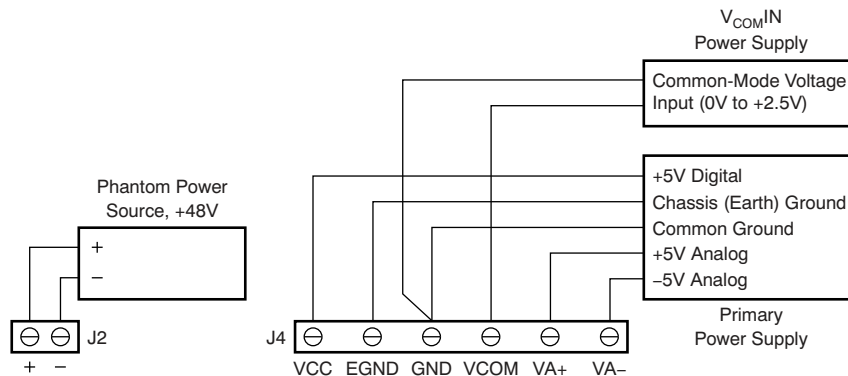


Figure 4. Recommended Power-Supply Connections

The PGA2505EVM requires two analog power supplies and one digital power supply. The analog power supplies are VA+ and VA–, respectively. VA+ is typically set to +5.0V, while VA– is typically set to –5.0V. The analog supplies power the PGA2505 microphone preamplifier integrated circuit. The digital power supply, VCC, is typically set to +5.0V. The VCC supply powers the PGA2505 and the SN74AHCT541 buffer IC (U2) and the associated pull-up resistors for the digital section of the board.

An optional third analog power supply may be used for the PGA2505 common-mode dc voltage input, V_{COMIN} (pin 22). The common-mode input can be connected to analog ground by shorting pins 3 and 4 of Jumper JMP3. Alternatively, the common-mode input can be connected to the VCOM supply terminal of connector J4 by shorting pins 1 and 2 of Jumper JMP3. The VCOM supply will typically be set to a dc voltage within the 0V to +2.5V range (with respect to GND). The common-mode voltage biases both the output and input terminals of the PGA2505, with the output pins being biased to the V_{COMIN} voltage level and the input pins being biased to approximately $(V_{COMIN} - 0.65V)$.

The GND terminal of connector J4 serves as the common ground connection for both the analog and digital sections of the PGA2505EVM. The EGND (earth ground) terminal should be connected to the earth or chassis ground of the power supply. The common ground (GND) and earth ground (EGND) are connected to one another using a 0.1 μ F capacitor (C3).

4.2 Microphone Input

Dynamic and condenser microphones or audio test equipment are connected to the PGA2505EVM input through combo connector J1. The combo connector combines both a 3-pin female XLR and a 1/4-inch TRS jack for connecting to microphones and test signal sources. Both the XLR and TRS jacks are wired for a balanced input. Figure 5 illustrates the combo connector pin configuration for the PGA2505EVM.

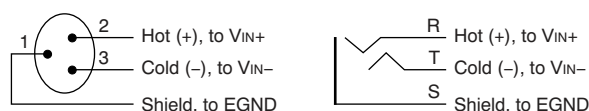


Figure 5. Microphone Input Connector Configuration

The microphone input includes 1000pF capacitors configured as an electromagnetic interference (EMI) filter to help suppress electromagnetic interference present at the preamplifier input. Additional filtering may be required in the end application circuit, depending on the operating environment.

4.3 Phantom Power Connections

The PGA2505EVM supports connection of a phantom power source across the inputs of the preamplifier using terminal block J2. The voltage source is connected to the hot (+) and cold (–) sides of the preamplifier input through 6.81k Ω resistors. Phantom power may be operated at voltages up to +50V .

Phantom power is required for condenser microphones, but should not be applied when using dynamic microphones, because they may be subject to damage if phantom voltage is applied. When using a dynamic microphone, terminals 3 and 4 of jumper JMP1 should be shorted, while terminals 1 and 2 remain open. When using a condenser microphone that requires a phantom power source, terminals 1 and 2 of jumper JMP1 should be shorted, while terminals 3 and 4 remain open.

4.4 DC Blocking Capacitors

Capacitors C₁₉ and C₂₀ are used as dc blocking capacitors. They provide ac-coupling to the microphone input, as well as blocking the phantom voltage from reaching the PGA2505 input terminals when using a condenser microphone. The blocking capacitors are selected in order to not degrade the dynamic performance of the PGA2505. The surface-mount aluminum electrolytic capacitors shown in the Bill of Materials (see Table 3) are installed by default at the factory. The PGA2505EVM also supports the use of through-hole capacitors for C₁₉ and C₂₀. If using an alternative capacitor, use components rated for a working voltage (WV) of 50WV minimum, with 63WV or higher recommended for long-term reliability.

4.5 Protection Network

Resistors R_7 and R_8 , along with Schottky diodes D6 through D9, provide input protection for the PGA2505 preamplifier when using phantom power (during the turn-on phase), or when the input voltage exceeds the $VA+$ or $VA-$ power supplies by more than 350mV (the approximate turn-on voltage of the Schottky diodes). Zener diodes D10 and D11 are provided to protect the $VA+$ and $VA-$ power supplies from exceeding the absolute maximum supply voltage.

A common fault condition is for either the hot (+) or cold (–) input of the preamplifier to be shorted to ground. With phantom voltage applied, this configuration will cause the blocking capacitors to discharge, with a large surge current presented at the PGA2505 input pins. Without the protection network, the PGA2505 would be permanently damaged by the surge current, which can reach several amperes in peak magnitude. The Schottky diodes are forced into conduction during this fault condition, steering most of the charge away from the PGA2505 device and towards the power supplies. The series resistors can be set to a value that will help limit the input current, although care must be taken to avoid adding too much resistance, because the added noise can degrade the overall performance of the preamplifier.

The Schottky diodes add a nonlinear capacitance to the input circuit, which can result in additional distortion. However, with the relatively small input voltage swing present when the preamplifier is set to gains between 9dB and 60dB, the effect on the THD+N of the PGA2505 is small or negligible. For unity-gain applications, where the voltage swing may become large enough in magnitude to transition over a greater portion of the diodes nonlinear capacitance, the THD+N ratio may degrade by as much as 3dB from the published typical performance specifications.

4.6 Configurable Input Circuitry

The configurable portion of the input circuit includes R_5 , R_6 , R_{10} , R_{11} , R_{14} , R_{15} , C_{C1} , C_{C2} , and jumper JMP2. These components support the prototyping of additional circuitry, such as pads and filters. During assembly at the factory, resistors R_5 and R_6 are not installed, while R_{10} , R_{11} , R_{14} , R_{15} , C_{C1} , and C_{C2} are replaced by wire shunts.

4.7 Configurable Output Circuitry and Preamp Output Connector

The configurable portion of the output circuit includes R_1 , R_2 , R_3 , R_{12} , R_{13} , C_{23} , C_{24} , and C_{25} . These components support prototyping of additional circuitry, such as pads and filters, as well as the emulation of various loading conditions. During assembly at the factory, resistors R_{12} and R_{13} are replaced by wire shunts. Resistors R_1 through R_3 , as well as capacitors C_{23} through C_{25} , are not installed.

The differential preamplifier output is provided at connector J3, which is a 3-pin male XLR connector. [Figure 6](#) illustrates the pin connections for connector J3.

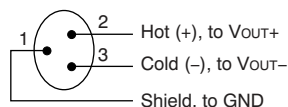


Figure 6. Preamp Output Connector Configuration

4.8 Host Interface

The PGA2505EVM supports an external host interface to the PGA2505 serial port using connectors J5 through J7. A PC parallel port may be connected to connector J5, using the straight-through cable supplied with the EVM package. The PC parallel port is used as the communications interface for the applications software provided with the EVM. [Section 5](#) provides details for installing and using the applications software.

The DATA_IN header (J6) may be used as an alternative host interface connection, and is designed primarily for interfacing to microprocessors, digital signal processors, or other host devices in either end equipment or hardware development platforms.

The DATA_OUT header (J7) is designed primarily for cascading multiple PGA2505EVM boards in a daisy-chain fashion. Daisy-chaining is described in more detail in the PGA2505 product data sheet.

4.9 Jumper Quick Reference

Table 2 provides a quick configuration reference of the jumper settings for the PGA2505EVM. Factory default settings are also indicated.

Table 2. Jumper Configuration Quick Reference

Jumper Configuration		
Jumper JMP1: Phantom Power	Pins 1 to 2	Pins 3 to 4
Phantom Power Disabled, Connected to GND (default)	Open	Short
Phantom Power Enabled, Connected to J2 Terminal Block	Short	Open
Jumper JMP3: V_{COMIN} Input Connection	Pins 1 to 2	Pins 3 to 4
V _{COMIN} (pin 22) Connected to GND (default)	Open	Short
V _{COMIN} (pin 22) Connected to the VCOM Terminal of J4	Short	Open
Jumper J9: Register Read-Back	Pins 1 to 2	
Register Read-Back Function Disabled	Open	
Register Read-Back Function Enabled (default)	Short	

Jumpers JMP4 through JMP8, as well as JMP10, are shorted on the PCB layout. They may be cut and replaced by jumpers if desired.

Jumper JMP2 is provided in order to add flexibility for the configurable input circuitry. This jumper is left open by default.

5 Software Installation and Operation

This chapter provides instructions for installing the PGA2505EVM application software and using the software to control the PGA2505 gain and support functions.

5.1 Applications Software Overview

The applications software supplied with the PGA2505EVM allows the user to control the board via a PC equipped with a parallel printer port running the Microsoft Windows 9x, 2000, or XP operating systems. The software is supplied on the accompanying CD-ROM, while a straight-through cable (DB25 male to DB25 female) is provided for interfacing between the EVM and the PC parallel port. The applications software provides a simple graphical user interface with which the user can program the PGA2505 16-bit control word. All programmable functions are supported.

5.2 Software Installation

The applications software is provided on the accompanying CD-ROM. Follow these steps to install the applications software:

Step 1. Insert the accompanying CD-ROM disc into the PC CD-ROM drive.

Step 2. Locate and double-click the *setup.exe* file on the CD-ROM disc.

This step will start the Texas Instruments PGA2505EVM software installation process. It is recommended that you close any applications that you are running and click OK to continue the setup as shown in [Figure 7](#).



Figure 7. PGA2505EVM Software Setup Screen

Step 3. The PGA2505EVM install software will prompt you for an installation directory; click on the computer system button to continue, as shown in [Figure 8](#), or the Change Directory button to change the installation directory.

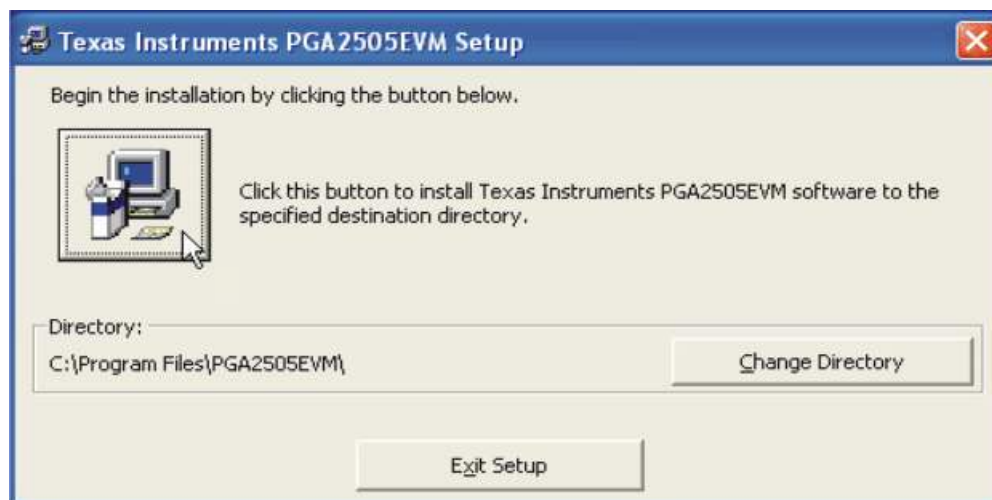


Figure 8. PGA2505EVM Software Installation Directory Screen

- Step 4. The PGA2505EVM software installation will prompt you for a Program Group. Click on *Continue* to continue the installation or select a different Program Group from the available selections, as shown in [Figure 9](#).

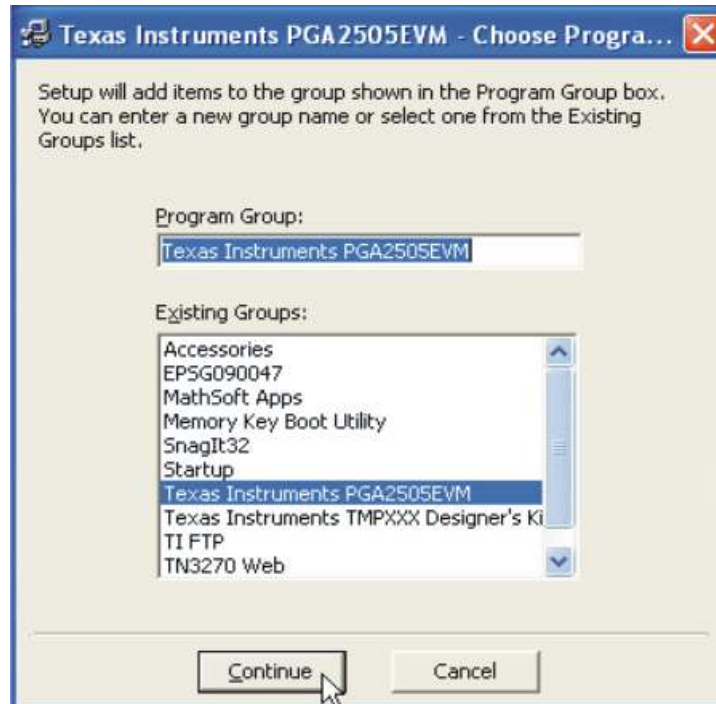


Figure 9. PGA2505EVM Software Program Group Selection Panel

- Step 5. The PGA2505EVM installation software will then install the applications software from the PGA2505EVM.CAB and the SETUP.LST files.
- Step 6. If a file being copied is an older version than the existing file on your system, you can retain your existing file by clicking *Yes* as shown in [Figure 10](#).



Figure 10. File Version Conflict Dialog Window

Step 7. Click *OK* to complete the installation, as [Figure 11](#) shows.



Figure 11. PGA2505EVM Software Setup Completion

This process completes the installation of the PGA2505EVM applications software. A folder under *C:/Program Files* is now created with the PGA2505EVM.exe file to run the EVM.

5.3 Using the Applications Software

The program is executed by selecting the PGA2505EVM in the shortcut created during the installation process. The Device panel, shown in [Figure 12](#), will appear on the screen. The PC Interface drop-down menu allows the user to select the parallel port used for communications with the PGA2505EVM.

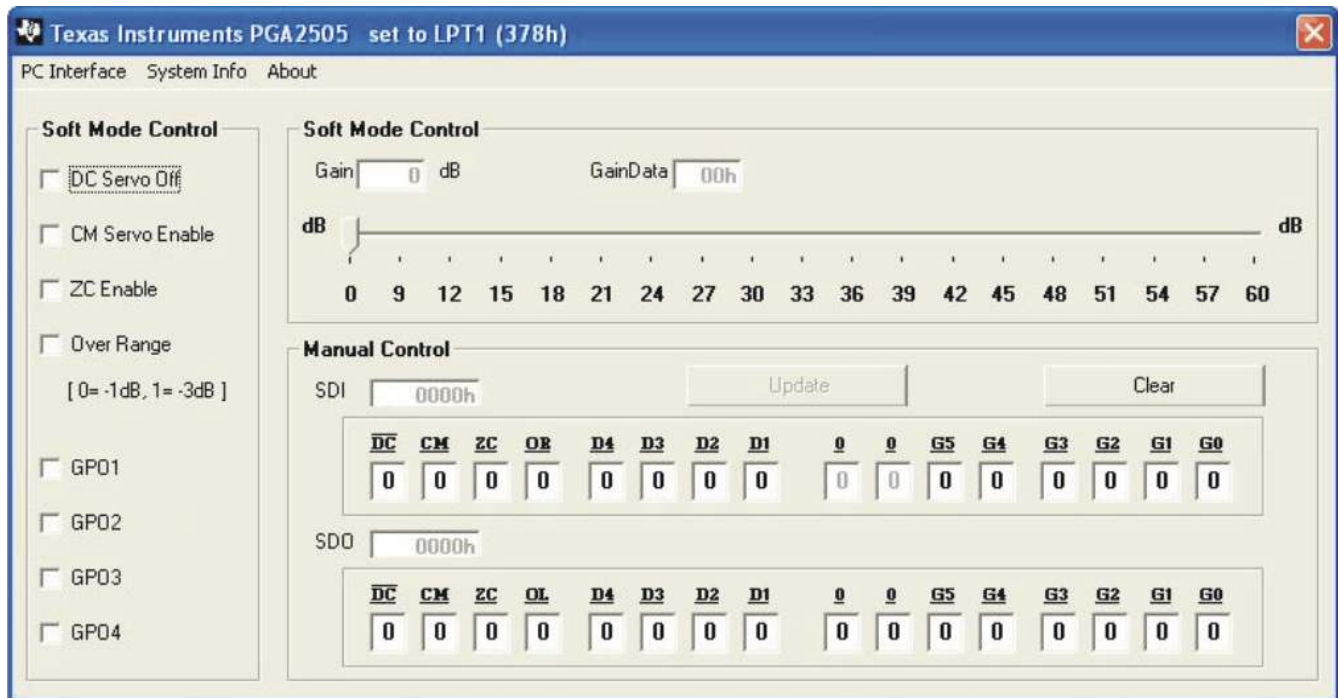


Figure 12. Applications Software Device Panel

If the parallel port configuration is unknown, then click the *System Info* tab on the upper left corner. The computer system summary should be displayed; find the parallel port under the *Ports* section of Components.

The Device panel includes a Clear button, which is used to set the PGA2505 16-bit control word to the reset default conditions. The default conditions are:

- DC servo enabled (\overline{DC} bit set to '0').
- Common-mode servo disabled (CM bit set to '0').
- Zero-crossing detector disabled
- Overload indicator level set to $5.1V_{RMS}$ or 1dB below the output range (OR bit set to '0')
- General-purpose digital output bits GPO1 through GPO4 are all set to '0'.
- Gain set to 0dB (gain bits G0 through G5 are all set to '0').

The Soft Mode Control is broken up into two sections. The first section includes check boxes for toggling the state of the DC servo (DC), common-mode servo (CM), zero-crossing detector (ZC), over-range indicator (OR), and GPO1 through GPO4 control bits. An empty checkbox sets the state of the corresponding bit to '0'. Clicking on the checkbox sets the corresponding control bit to '1'. Clicking on the checkbox again will clear the control bit, setting it to '0'.

The Manual Control section of the PGA2505EVM allows the user to input the control word by toggling the individual bits of the serial word. In manual control, the bits are toggled and the word is sent after the Update button is clicked. Note that both the SDI bus data and the manual control display are updated upon the completion of a write to the PGA2505, regardless of whether it comes from Soft Mode Control or the Manual Control

The SDO pin output is provided with a corresponding text display, and may be used to read and display the control word value in hexadecimal data format. A readback function is provided primarily as a software and hardware diagnostic function, because it allows the user to determine if the PGA2505 control word is being programmed correctly. This function can be used to debug hardware and cable connection problems, or to help identify possible software compatibility issues. In order to readback the last command sent to the serial interface, clicking the slider without changing the gain will rewrite the last command and force the last command onto SDO.

6 Schematic, PCB Layout, and Bill of Materials

This chapter provides the electrical schematic and physical PCB layout information for the PGA2505EVM. The Bill of Materials is included for component reference.

6.1 Schematic

The complete electrical schematic for the PGA2505EVM is shown in Figure 13. Refer to the Bill of Materials in Table 3 for descriptions of components shown in the schematic.

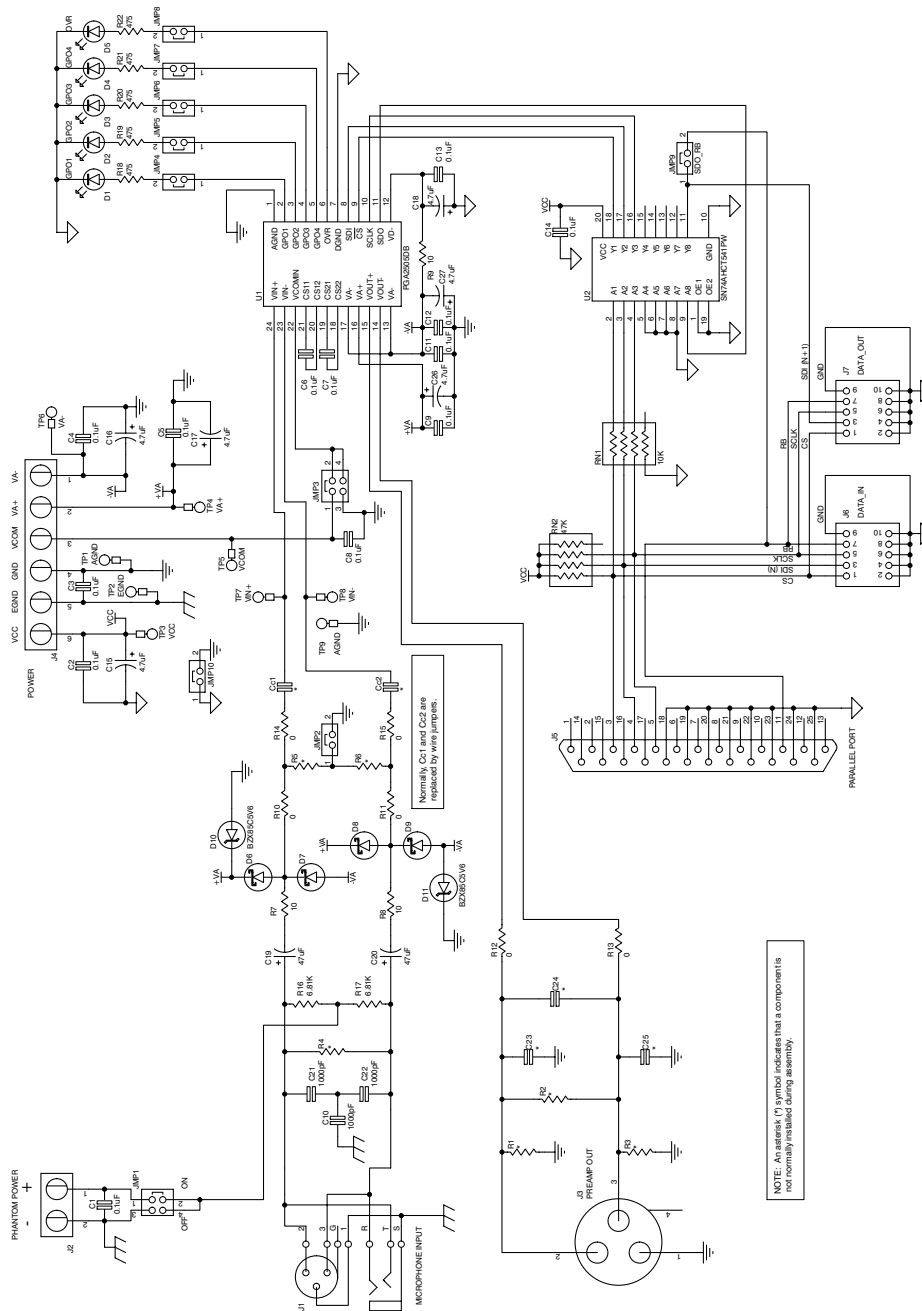


Figure 13. Schematic

6.2 PCB Layout

The PGA2505EVM is a two-layer printed circuit board using both through-hole and surface-mount components. The silkscreen, top, and bottom layer plots are shown in Figure 14 through Figure 16, respectively.

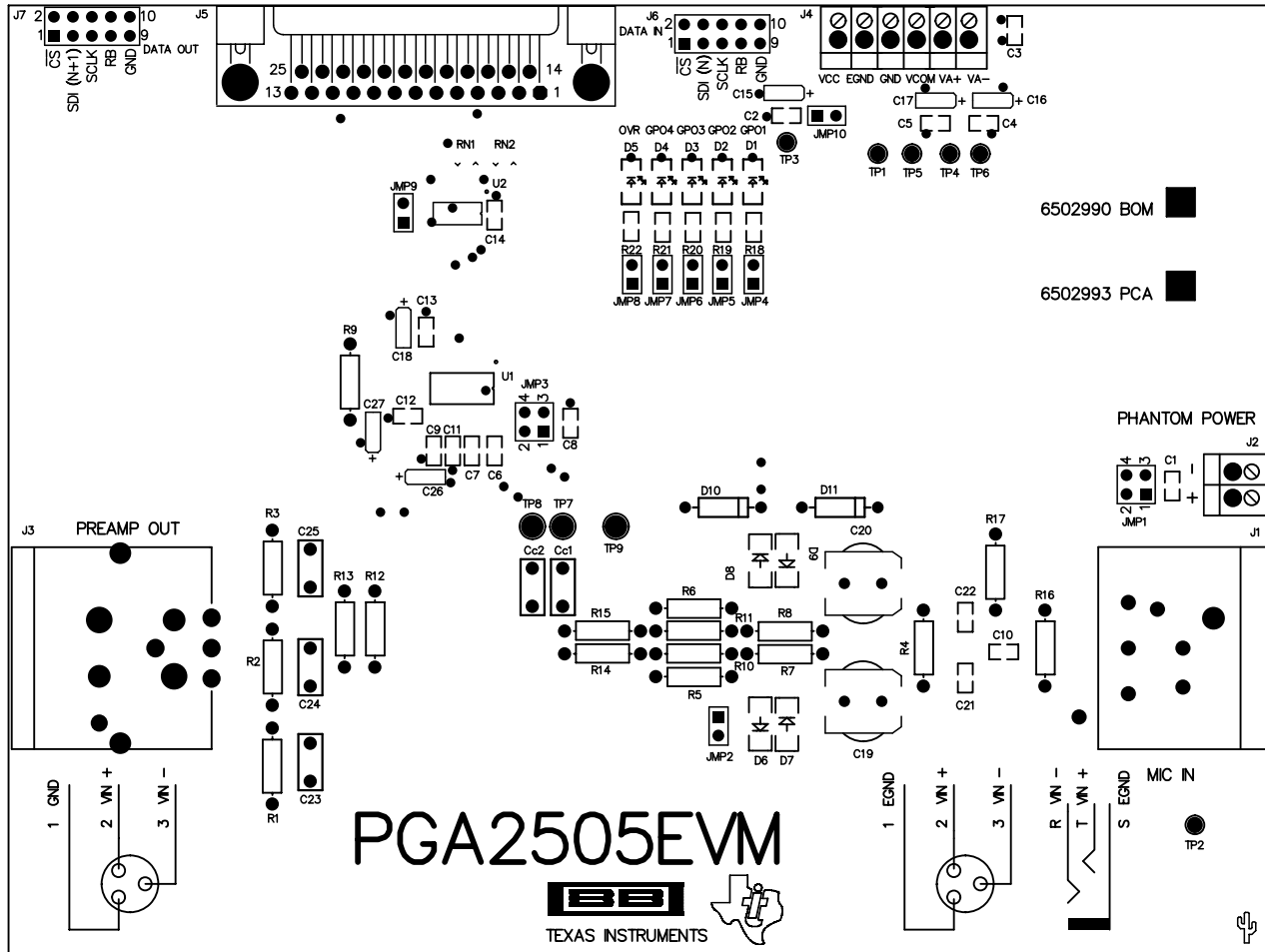


Figure 14. PGA2505EVM PCB Silkscreen

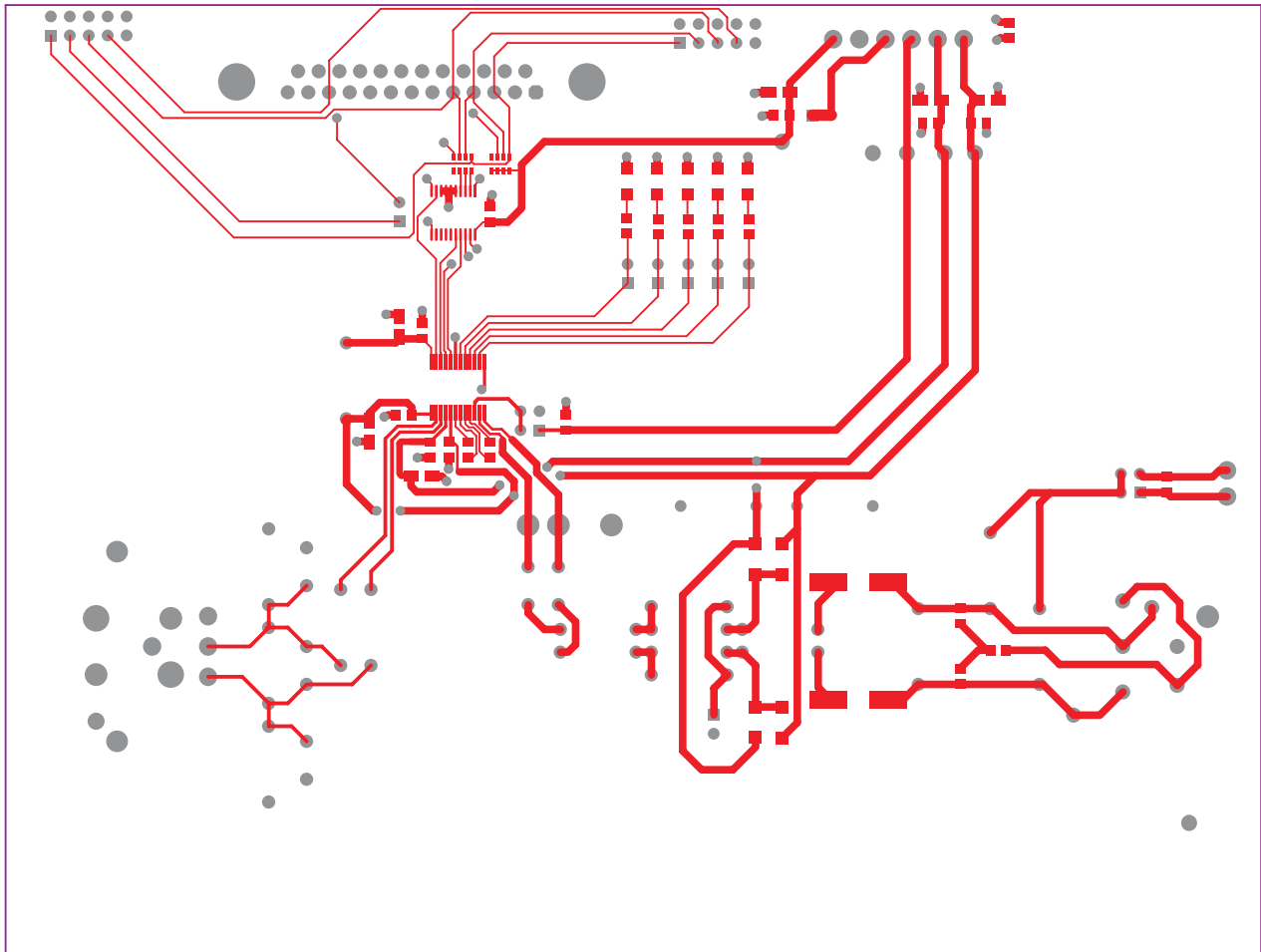


Figure 15. PGA2505EVM PCB Top Layer (Component Side)

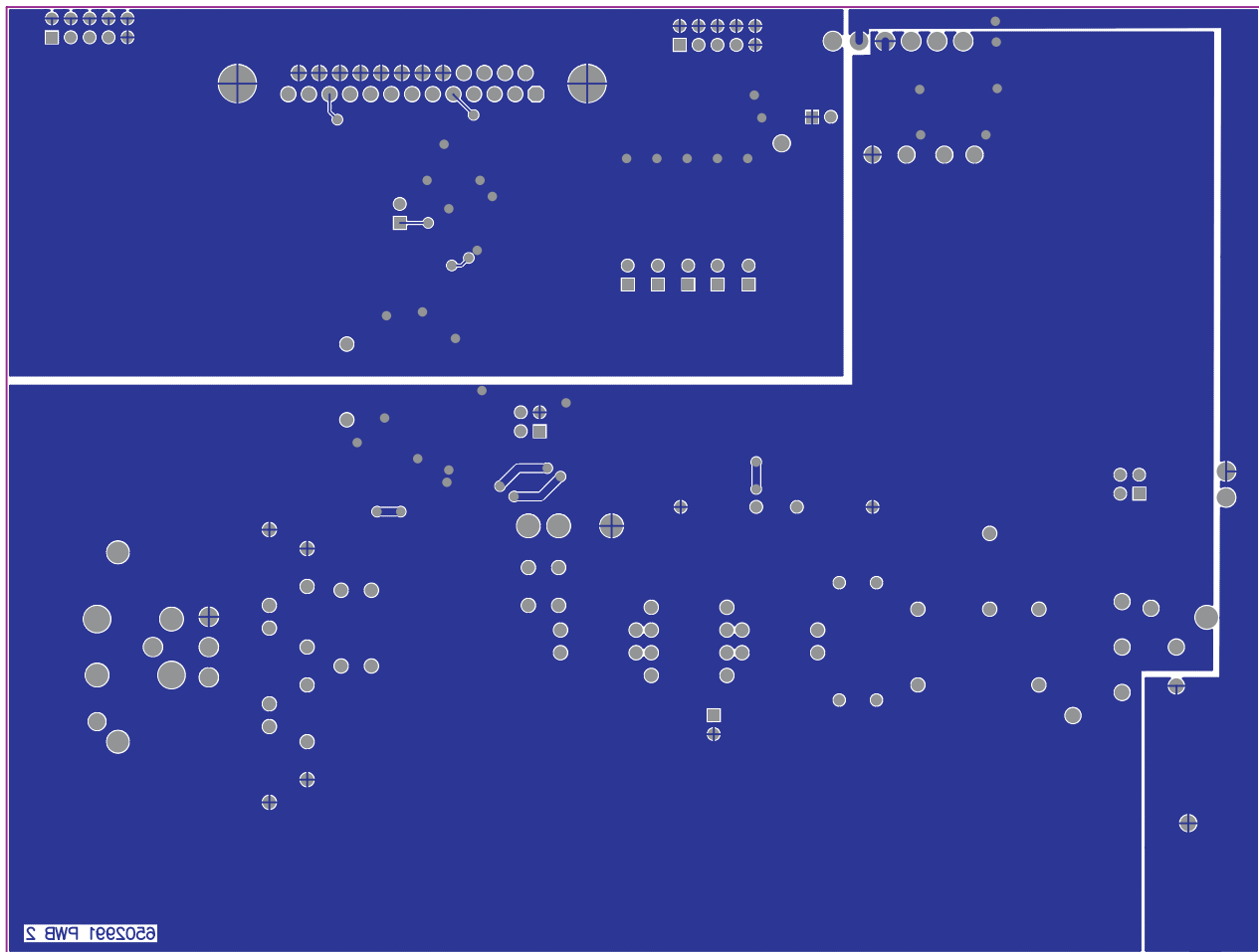


Figure 16. PGA2505EVM PCB Bottom Layer (Solder Side)

6.3 Bill of Materials

Table 3. PGA2505EVM Bill of Materials

Item	Value	Reference Designator	Qty Per Board	Manufacturer	Mfg Part Number	Description
1	10	R7 – R9	3	Vishay Dale or Equivalent	CMF5510R000BEEK	1/4W .1% Metal Film Axial Resistor
2	475	R18 – R22	5	Panasonic or Equivalent	ERJ-6ENF4750V	1/10W 1% Chip Resistor
3	6.81k	R16, R17	2	Vishay Dale or Equivalent	CMF556K8100BEEK	1/4W .1% Metal Film Axial Resistor
4	10k	RN1	1	CTS	742C083103JPTR	1/16W 5% Isolated Resistor Array
5	47k	RN2	1	CTS	742C083473JPTR	1/16W 5% Isolated Resistor Array
6	0	R10 – R15, C _{C1} , C _{C2}	8	Yaego	ZOR-25-B-52	0Ω Jumper, 1/4W Carbon Film, Axial, ±100ppm/°C
7	1000pf	C10, C21, C22	3	TDK	C2012C0G1H102JT	50V Ceramic Chip Capacitor, ±5%,NPO
8	0.1μF	C1 – C9, C11 – C14	13	TDK	C2012X7R2A104KT	100V Ceramic Chip Capacitor, ±10%, X7R
9	4.7μF	C15 – C18, C26, C27	6	Kemet	T494A475M025AT	25V Low ESR Tantalum Chip Capacitor, ±10%
10	47μF	C19, C20	2	Panasonic	EEE-FK1J470P	63V Aluminum Electrolytic Capacitor, ±20%
11		D1 – D5	5	Lumex	SML-LX1206IC-TR	Red LED, SMT
12		D6 – D9	4	ON Semiconductor	MBRA120ET3G	Schottky Power Rectifier Diode, SMT
13		D10, D11	2	Fairchild	BZX85C5V6	DIODE ZENER 1W 5.6V 5% DO-41
14		U1	1	Texas Instruments	PGA2505IDB	Digitally Controlled Microphone Preamplifier
15		U2	1	Texas Instruments	SN74AHCT541PW	Octal Buffer/Driver
16		J1	1	Neutrik	NCJ6FI-H	Combo Connector, Female XLR + TRS
17		J2	1	Weidmuller	1699670000	3.5mm, 2 Position Terminal Block
18		J3	1	ITT Cannon	XLB-3-32PCV-M01	XLB Male Connector, w/ Ground Lug
19		J4	1	Weidmuller	996772	3.5mm, 6 Position Terminal Block
20		J5	1	AMP/Tyco	5747842-6	DB25 RA Male Connector, w/ Boardlocks
21		J6, J7	2	Samtec	TSW-105-07-G-D	5x2 Header , 0 .1" spacing
22		JMP2, JMP9	2	Samtec	TSW-102-07-G-S	2 Position Jumper , 0 .1" spacing
23		JMP1, JMP3	2	Samtec	TSW-102-07-G-D	2x2 Header , 0 .1" spacing
24		TP7 – TP9	3	Keystone Electronics	5006	Compact Test Point Terminal
25			4	Samtec	SNT-100-BK-G-H	Shorting Jumper
26			4	3M Bumpon	SJ-5003	Rubber Feet, Adhesive Backed

EVALUATION BOARD/KIT IMPORTANT NOTICE

Texas Instruments (TI) provides the enclosed product(s) under the following conditions:

This evaluation board/kit is intended for use for **ENGINEERING DEVELOPMENT, DEMONSTRATION, OR EVALUATION PURPOSES ONLY** and is not considered by TI to be a finished end-product fit for general consumer use. Persons handling the product(s) must have electronics training and observe good engineering practice standards. As such, the goods being provided are not intended to be complete in terms of required design-, marketing-, and/or manufacturing-related protective considerations, including product safety and environmental measures typically found in end products that incorporate such semiconductor components or circuit boards. This evaluation board/kit does not fall within the scope of the European Union directives regarding electromagnetic compatibility, restricted substances (RoHS), recycling (WEEE), FCC, CE or UL, and therefore may not meet the technical requirements of these directives or other related directives.

Should this evaluation board/kit not meet the specifications indicated in the User's Guide, the board/kit may be returned within 30 days from the date of delivery for a full refund. **THE FOREGOING WARRANTY IS THE EXCLUSIVE WARRANTY MADE BY SELLER TO BUYER AND IS IN LIEU OF ALL OTHER WARRANTIES, EXPRESSED, IMPLIED, OR STATUTORY, INCLUDING ANY WARRANTY OF MERCHANTABILITY OR FITNESS FOR ANY PARTICULAR PURPOSE.**

The user assumes all responsibility and liability for proper and safe handling of the goods. Further, the user indemnifies TI from all claims arising from the handling or use of the goods. Due to the open construction of the product, it is the user's responsibility to take any and all appropriate precautions with regard to electrostatic discharge.

EXCEPT TO THE EXTENT OF THE INDEMNITY SET FORTH ABOVE, NEITHER PARTY SHALL BE LIABLE TO THE OTHER FOR ANY INDIRECT, SPECIAL, INCIDENTAL, OR CONSEQUENTIAL DAMAGES.

TI currently deals with a variety of customers for products, and therefore our arrangement with the user **is not exclusive.**

TI assumes **no liability for applications assistance, customer product design, software performance, or infringement of patents or services described herein.**

Please read the User's Guide and, specifically, the Warnings and Restrictions notice in the User's Guide prior to handling the product. This notice contains important safety information about temperatures and voltages. For additional information on TI's environmental and/or safety programs, please contact the TI application engineer or visit www.ti.com/esh.

No license is granted under any patent right or other intellectual property right of TI covering or relating to any machine, process, or combination in which such TI products or services might be or are used.

FCC Warning

This evaluation board/kit is intended for use for **ENGINEERING DEVELOPMENT, DEMONSTRATION, OR EVALUATION PURPOSES ONLY** and is not considered by TI to be a finished end-product fit for general consumer use. It generates, uses, and can radiate radio frequency energy and has not been tested for compliance with the limits of computing devices pursuant to part 15 of FCC rules, which are designed to provide reasonable protection against radio frequency interference. Operation of this equipment in other environments may cause interference with radio communications, in which case the user at his own expense will be required to take whatever measures may be required to correct this interference.

EVM WARNINGS AND RESTRICTIONS

It is important to operate this EVM within the input voltage range of $-5V$ to $+5V$ and the output voltage range of $-5V$ to $+5V$, and $0V$ to $+50V$ for the phantom power.

Exceeding the specified input range may cause unexpected operation and/or irreversible damage to the EVM. If there are questions concerning the input range, please contact a TI field representative prior to connecting the input power.

Applying loads outside of the specified output range may result in unintended operation and/or possible permanent damage to the EVM. Please consult the EVM User's Guide prior to connecting any load to the EVM output. If there is uncertainty as to the load specification, please contact a TI field representative.

During normal operation, some circuit components may have case temperatures greater than $+40^{\circ}C$. The EVM is designed to operate properly with certain components above $+85^{\circ}C$ as long as the input and output ranges are maintained. These components include but are not limited to linear regulators, switching transistors, pass transistors, and current sense resistors. These types of devices can be identified using the EVM schematic located in the EVM User's Guide. When placing measurement probes near these devices during operation, please be aware that these devices may be very warm to the touch.

Mailing Address: Texas Instruments, Post Office Box 655303, Dallas, Texas 75265
Copyright © 2009, Texas Instruments Incorporated

IMPORTANT NOTICE

Texas Instruments Incorporated and its subsidiaries (TI) reserve the right to make corrections, modifications, enhancements, improvements, and other changes to its products and services at any time and to discontinue any product or service without notice. Customers should obtain the latest relevant information before placing orders and should verify that such information is current and complete. All products are sold subject to TI's terms and conditions of sale supplied at the time of order acknowledgment.

TI warrants performance of its hardware products to the specifications applicable at the time of sale in accordance with TI's standard warranty. Testing and other quality control techniques are used to the extent TI deems necessary to support this warranty. Except where mandated by government requirements, testing of all parameters of each product is not necessarily performed.

TI assumes no liability for applications assistance or customer product design. Customers are responsible for their products and applications using TI components. To minimize the risks associated with customer products and applications, customers should provide adequate design and operating safeguards.

TI does not warrant or represent that any license, either express or implied, is granted under any TI patent right, copyright, mask work right, or other TI intellectual property right relating to any combination, machine, or process in which TI products or services are used. Information published by TI regarding third-party products or services does not constitute a license from TI to use such products or services or a warranty or endorsement thereof. Use of such information may require a license from a third party under the patents or other intellectual property of the third party, or a license from TI under the patents or other intellectual property of TI.

Reproduction of TI information in TI data books or data sheets is permissible only if reproduction is without alteration and is accompanied by all associated warranties, conditions, limitations, and notices. Reproduction of this information with alteration is an unfair and deceptive business practice. TI is not responsible or liable for such altered documentation. Information of third parties may be subject to additional restrictions.

Resale of TI products or services with statements different from or beyond the parameters stated by TI for that product or service voids all express and any implied warranties for the associated TI product or service and is an unfair and deceptive business practice. TI is not responsible or liable for any such statements.

TI products are not authorized for use in safety-critical applications (such as life support) where a failure of the TI product would reasonably be expected to cause severe personal injury or death, unless officers of the parties have executed an agreement specifically governing such use. Buyers represent that they have all necessary expertise in the safety and regulatory ramifications of their applications, and acknowledge and agree that they are solely responsible for all legal, regulatory and safety-related requirements concerning their products and any use of TI products in such safety-critical applications, notwithstanding any applications-related information or support that may be provided by TI. Further, Buyers must fully indemnify TI and its representatives against any damages arising out of the use of TI products in such safety-critical applications.

TI products are neither designed nor intended for use in military/aerospace applications or environments unless the TI products are specifically designated by TI as military-grade or "enhanced plastic." Only products designated by TI as military-grade meet military specifications. Buyers acknowledge and agree that any such use of TI products which TI has not designated as military-grade is solely at the Buyer's risk, and that they are solely responsible for compliance with all legal and regulatory requirements in connection with such use.

TI products are neither designed nor intended for use in automotive applications or environments unless the specific TI products are designated by TI as compliant with ISO/TS 16949 requirements. Buyers acknowledge and agree that, if they use any non-designated products in automotive applications, TI will not be responsible for any failure to meet such requirements.

Following are URLs where you can obtain information on other Texas Instruments products and application solutions:

Products

Amplifiers	amplifier.ti.com
Data Converters	dataconverter.ti.com
DLP® Products	www.dlp.com
DSP	dsp.ti.com
Clocks and Timers	www.ti.com/clocks
Interface	interface.ti.com
Logic	logic.ti.com
Power Mgmt	power.ti.com
Microcontrollers	microcontroller.ti.com
RFID	www.ti-rfid.com
RF/IF and ZigBee® Solutions	www.ti.com/lprf

Applications

Audio	www.ti.com/audio
Automotive	www.ti.com/automotive
Broadband	www.ti.com/broadband
Digital Control	www.ti.com/digitalcontrol
Medical	www.ti.com/medical
Military	www.ti.com/military
Optical Networking	www.ti.com/opticalnetwork
Security	www.ti.com/security
Telephony	www.ti.com/telephony
Video & Imaging	www.ti.com/video
Wireless	www.ti.com/wireless

Mailing Address: Texas Instruments, Post Office Box 655303, Dallas, Texas 75265
Copyright © 2009, Texas Instruments Incorporated