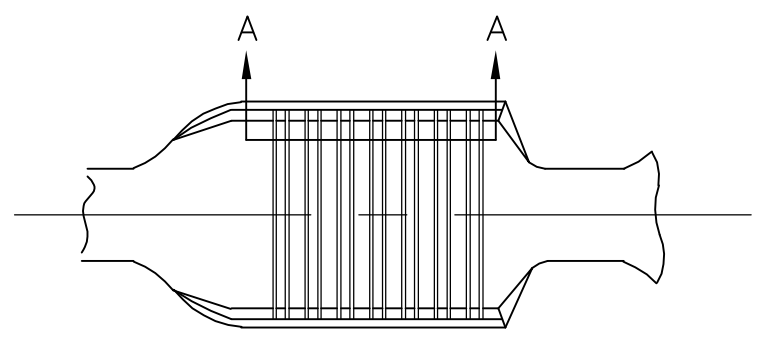
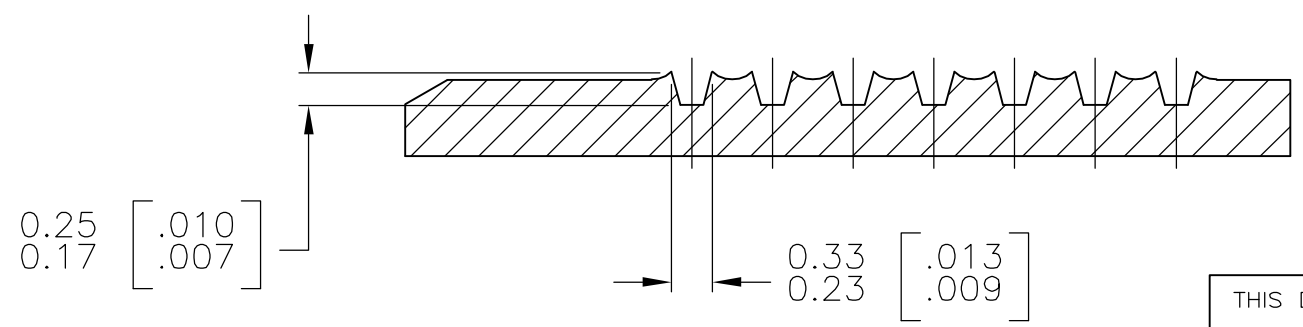
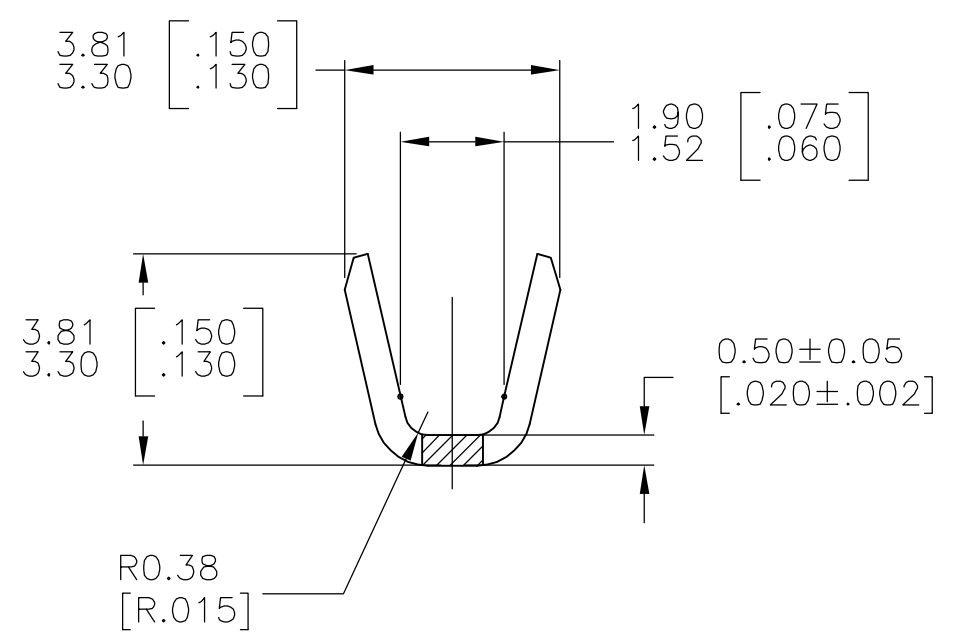
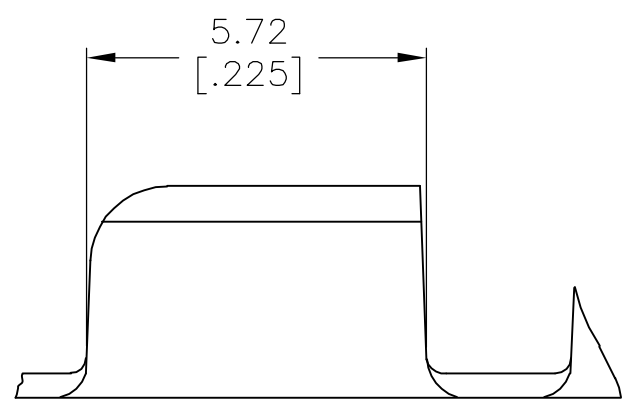


THIS DRAWING IS UNPUBLISHED. RELEASED FOR PUBLICATION
 © COPYRIGHT BY TYCO ELECTRONICS CORPORATION. ALL RIGHTS RESERVED.

LOC	DIST	REVISIONS			
P	LTR	DESCRIPTION	DATE	DWN	APVD
AF	50	B1	ECR-06-023927(REDRAWN IN AUTOCAD)	18OCT06	HMR GP



- 1 CONTINUOUS STRIP ON REELS
- 2 DIMENSIONS IN BRACKETS ARE IN INCHES



SECTION A-A
SCALE 20:1

600-3000 CMA	TIN	62200-2
600-3000 CMA	NONE	62200-1
WIRE RANGE	FINISH	PART NO

THIS DRAWING IS A CONTROLLED DOCUMENT.		DWN RAGHAVENDRA 18OCT2006	Tyco Electronics Corporation Harrisburg, PA 17105-3608			
DIMENSIONS: mm [INCHES]		CHK G.D.PORTA				
TOLERANCES UNLESS OTHERWISE SPECIFIED:		APVD G.D.PORTA	NAME SPLICE, AMPLIVAR 7 SERRATIONS			
0 PLC ± -		PRODUCT SPEC				
1 PLC ± -		APPLICATION SPEC	SIZE	CAGE CODE	DRAWING NO	RESTRICTED TO
2 PLC ± -		—	A3	00779	C-62200	—
3 PLC ± 0.38 [.015]		—	CUSTOMER DRAWING			
4 PLC ± -		—	SCALE	SHEET	REV	
ANGLES ± 1' 0"		—	8:1	1 OF 1	B1	
MATERIAL	FINISH	WEIGHT				
BRASS	SEE TABLE	—				