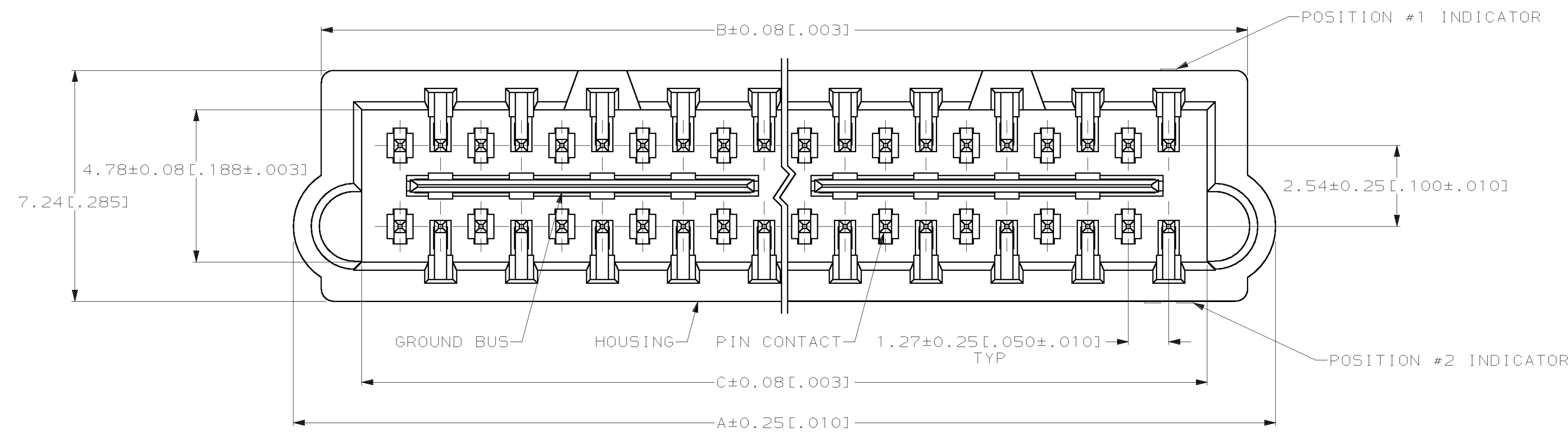
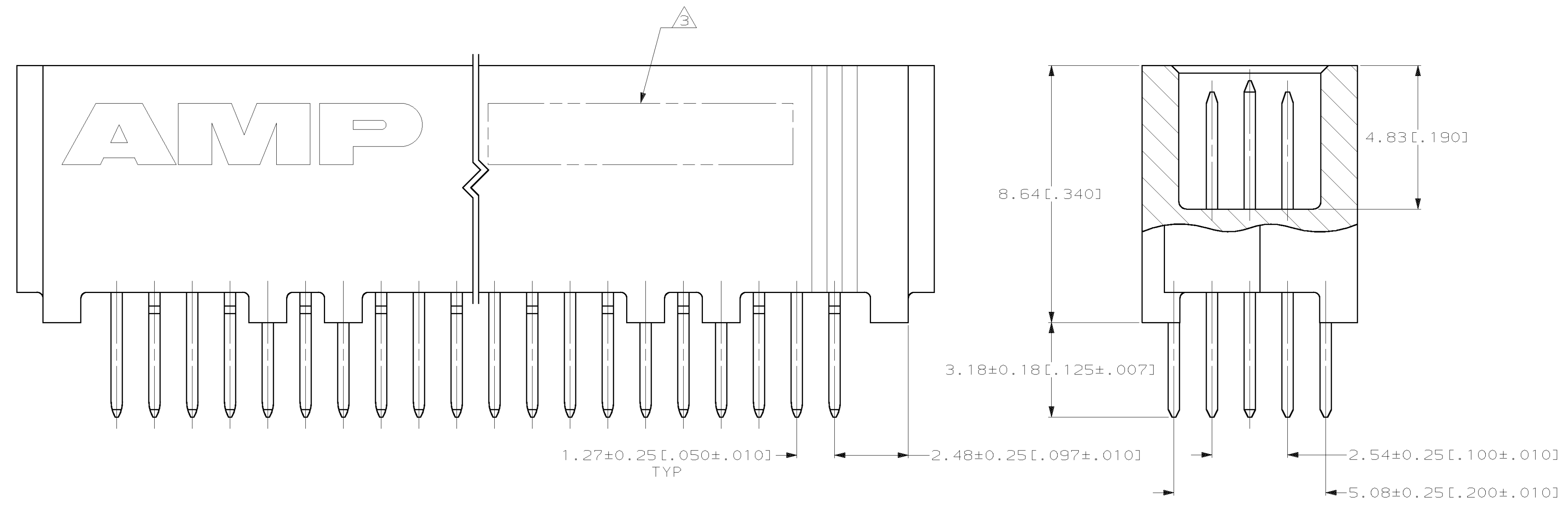


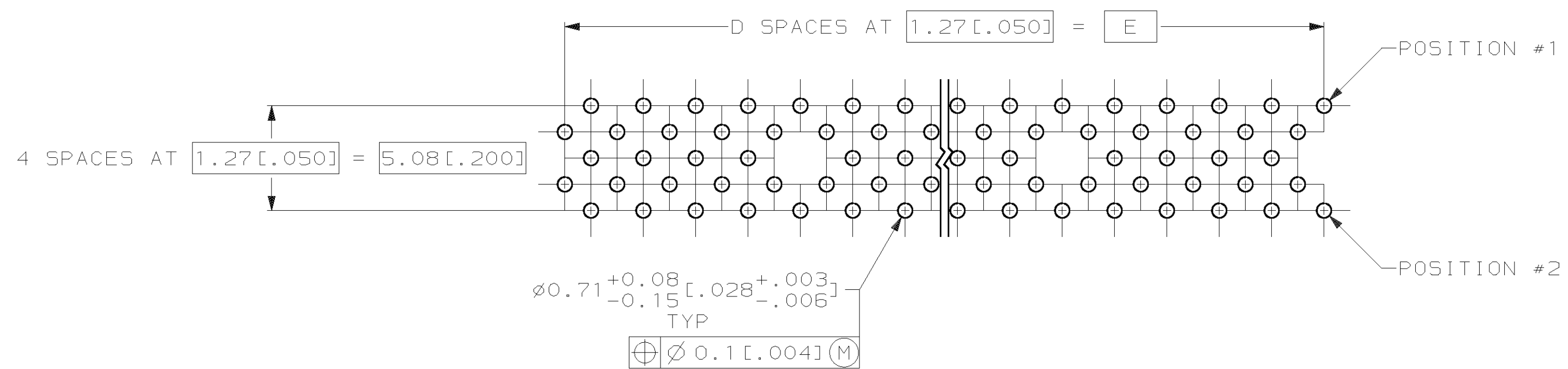
LOC		DIST		P		F		ZONE		LTR		REVISIONS			
AD	25											DESCRIPTION	DATE	APPD	
												M	REVISED PER 0512-0476-02	21FEB03	DRD



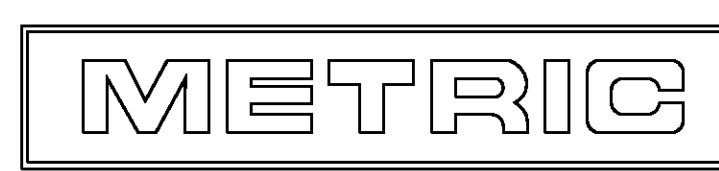
- △ HOUSING: HIGH TEMPERATURE THERMOPLASTIC, COLOR NATURAL.
- PIN CONTACTS: PHOSPHOR BRONZE.
- GROUND BUSSES: PHOSPHOR BRONZE.
- △ PIN CONTACTS: 0.00076[.000030] MIN GOLD IN CONTACT AREA, 0.00254-0.00762[.000100-.000300] TIN-LEAD ON SOLDER TAIL, ALL OVER 0.00127-0.00254[.000050-.000100] NICKEL ON ENTIRE CONTACT.
- GROUND BUSSES: 0.00076[.000030] MIN GOLD IN CONTACT AREA, 0.00254-0.00762[.000100-.000300] TIN-LEAD ON SOLDER TAIL, ALL OVER 0.00127-0.00254[.000050-.000100] NICKEL ON ENTIRE BUS.
- △ DATE CODE MARKED IN AREA INDICATED.



OBsolete	151.13[5.950]	119	153.62[6.048]	156.08[6.145]	157.84[6.214]	240	1-536272-1
OBsolete	138.43[5.450]	109	140.92[5.548]	143.38[5.645]	145.14[5.714]	220	1-536272-0
	125.73[4.950]	99	128.22[5.048]	130.68[5.145]	132.44[5.214]	200	536272-9
	113.03[4.450]	89	115.52[4.548]	117.98[4.645]	119.74[4.714]	180	536272-8
	100.33[3.950]	79	102.82[4.048]	105.28[4.145]	107.04[4.214]	160	536272-7
	87.63[3.450]	69	90.12[3.548]	92.58[3.645]	94.34[3.714]	140	536272-6
	74.93[2.950]	59	77.42[3.048]	79.88[3.145]	81.64[3.214]	120	536272-5
	62.23[2.450]	49	64.72[2.548]	67.18[2.645]	68.94[2.714]	100	536272-4
	49.53[1.950]	39	52.02[2.048]	54.48[2.145]	56.24[2.214]	80	536272-3
	36.83[1.450]	29	39.32[1.548]	41.78[1.645]	43.54[1.714]	60	536272-2
	24.13[.950]	19	26.62[1.048]	29.08[1.145]	30.84[1.214]	40	536272-1
	E	D	C	B	A	NO OF POS	PART NUMBER



RECOMMENDED PC BOARD HOLE LAYOUT
 (VIEWED FROM CONNECTOR SIDE)
 SCALE 5:1



DO NOT SCALE PRINT. UNLESS SPECIFIED DIMENSIONS IN mm [INCHES] TOLERANCES ON:	DR 2-12-92 J.GERACE	AMP Incorporated Harrisburg, PA 17105-3608
2 PLC DEC ± -	CHK 2-12-92 J.GERACE	
3 PLC DEC ± 0.13 [.005]	APPD 2-12-92 D.SINISI	NAME
ANGLES ± -	APPD 2-12-92 C.LINDGREN	PLUG ASSEMBLY, 10.92[.430] STACK, 3.18[.125] TAIL, BOARD TO BOARD, MICRO-STRIP
MATERIAL	PRODUCT SPEC 108-1272	SIZE
FINISH	APPLICATION SPEC 114-11005	CAGE CODE
	WEIGHT -	DRAWING NO
		536272
		SCALE
		10:1
		SHEET
		1 OF 1