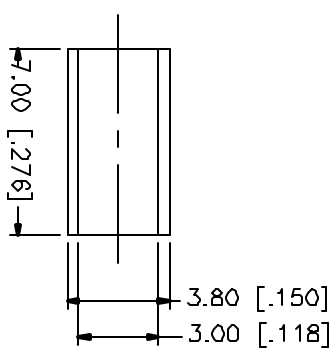
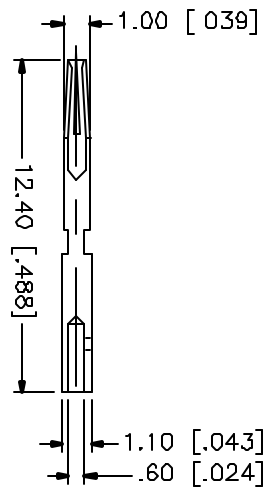
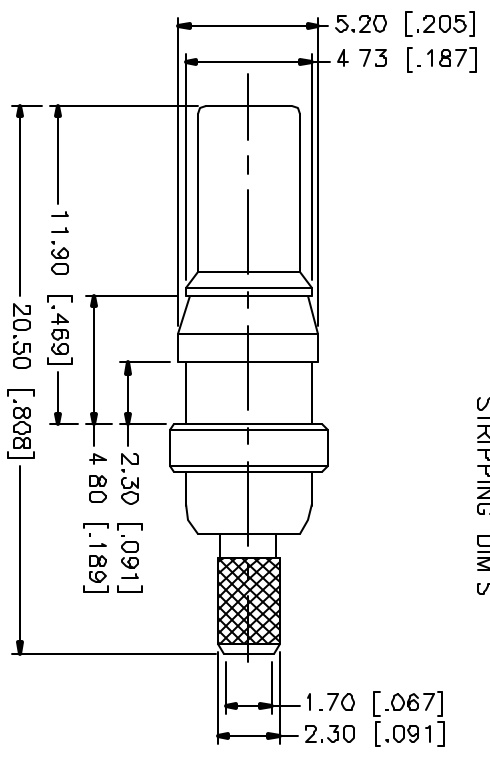
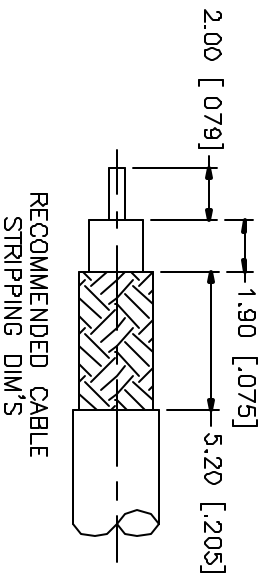


REV.	DATE	DESCRIPTION
NC	12/28/00	INITIAL RELEASE



8																			
8																			
7																			
6																			
5	FERRULE	COPPER	NICKEL																
4	CONTACT PIN	BER, COPPER	GOLD																
3	BARREL	BRASS	NICKEL																
2	INSULATOR	TEFLON	NATURAL																
1	BODY	BRASS	GOLD																
	DESCRIPTION	MATERIAL	FINISH																
				UNLESS OTHERWISE SPECIFIED DIMENSIONS ARE IN MILLIMETERS DIMENSIONS IN [] ARE IN INCHES FOR CUSTOMER REFERENCE ONLY				APPROVALS DRAWN G.R.S. DATE 12/28/00 CHECKED ISSUED				TITLE 1.0/2.3 CRIMP JACK (FOR 316/U CABLE) Connector Corporation DOWG. NO.							
				UNLESS OTHERWISE SPECIFIED TOLERANCES FOR MILLIMETERS ARE: 0.5-6 = ± 0.2 6-30 = ± 0.4 30-120 = ± 0.6 120-315 = ± 1 315-1000 = ± 1.6 1000-2000 = ± 2.4				SCALE NA PART NO. 282104 SHEET 1 QF 1				REV. NC							
DD NOT SCALE DRAWING																			