

# Hybrid Motor With Batteryless Absolute Encoder

## M23PM-K



### Outline

56mm $\square$

1.8°/ step

UNIT:  $\frac{\text{mm}}{\text{inch}}$

| Model      | "M"        | "L"        |
|------------|------------|------------|
| M23KMK358x | 50.0(2.0)  | 64.0(2.52) |
| M23KMH049x | 55.0(2.17) | 69.0(2.72) |
| M17PMH744x | 77.0(3.03) | 91.0(3.58) |

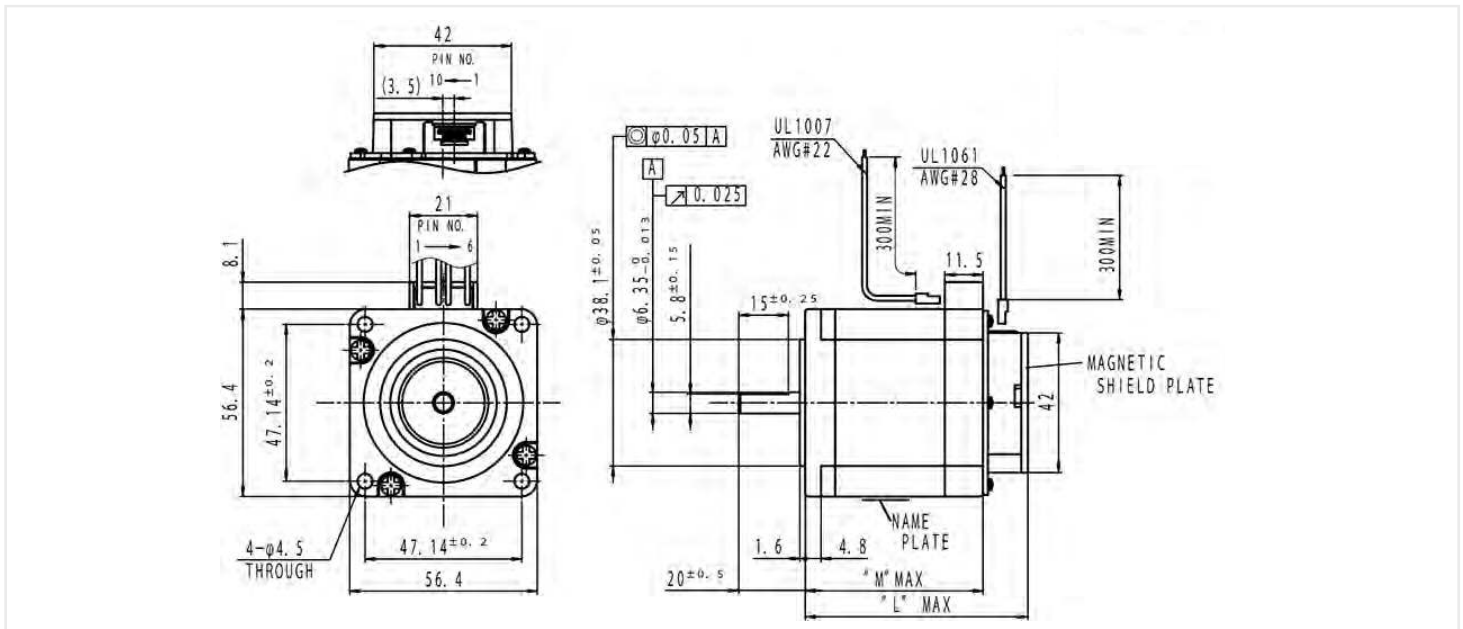


#### For Motor

| PIN NO.   | 1         | 2 | 3   | 4         | 5 | 6   |
|-----------|-----------|---|-----|-----------|---|-----|
| L/W Color | Org       | - | Blu | Yel       | - | Red |
| Phase     | $\bar{B}$ | - | B   | $\bar{A}$ | - | A   |

#### For Encoder

| PIN NO.   | 1   | 2      | 3      | 4   | 5   | 6   | 7   | 8   | 9   | 10  |
|-----------|-----|--------|--------|-----|-----|-----|-----|-----|-----|-----|
| L/W Color | Red | Prl    | Gry    | Wht | Grn | Brn | Yel | Blu | Org | Blk |
| Signal    | Vcc | RS485- | RS485+ | PA  | NA  | PB  | NB  | PZ  | NZ  | GND |



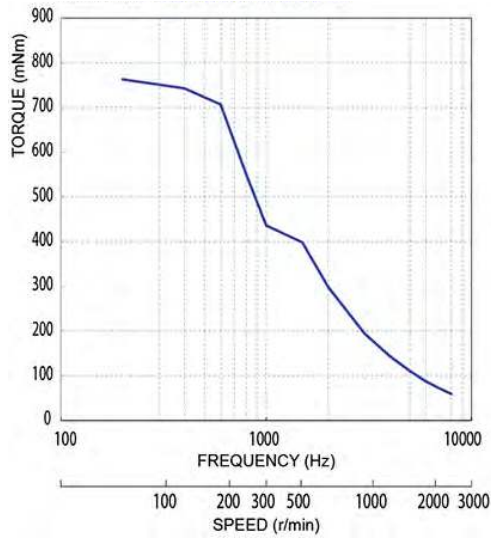
### Specifications

| MODEL          | Step Angle | Drive Sequence | Rated Current | Resistance | Holding Torque | Inductance | Rotor Inertia | Detent Torque | Encoder Resolution | Mass | Max. Turn Count |
|----------------|------------|----------------|---------------|------------|----------------|------------|---------------|---------------|--------------------|------|-----------------|
|                | (deg)      |                | (A)           |            |                |            |               |               |                    |      |                 |
| M23KMK358CMB03 | 1.8        | BI-POLAR       | 1.7           | 1.9        | 800            | 7.8        | 180           | 29            | 4000               | 660  | 1000            |
| M23KMH049CMB03 | 1.8        | BI-POLAR       | 2.0           | 0.9        | 1300           | 3.7        | 320           | 54            | 4000               | 750  | 1000            |
| M23KMH744CMB03 | 1.8        | BI-POLAR       | 3.0           | 0.7        | 1800           | 2.8        | 490           | 93            | 4000               | 1130 | 1000            |

## Torque / Speed Characteristics

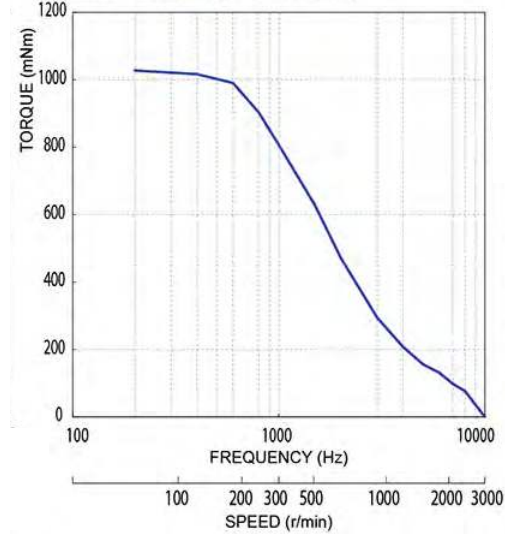
Model No: M23KMK358CMB03

Driver: Chopper Dual  
Supply Voltage: 24.0 (Volt)



Model No: M23KMH049CMB03

Driver: Chopper Dual  
Supply Voltage: 24.0 (Volt)



Model No: M23KMH744CMB03

Driver: Chopper Dual  
Supply Voltage: 24.0 (Volt)

