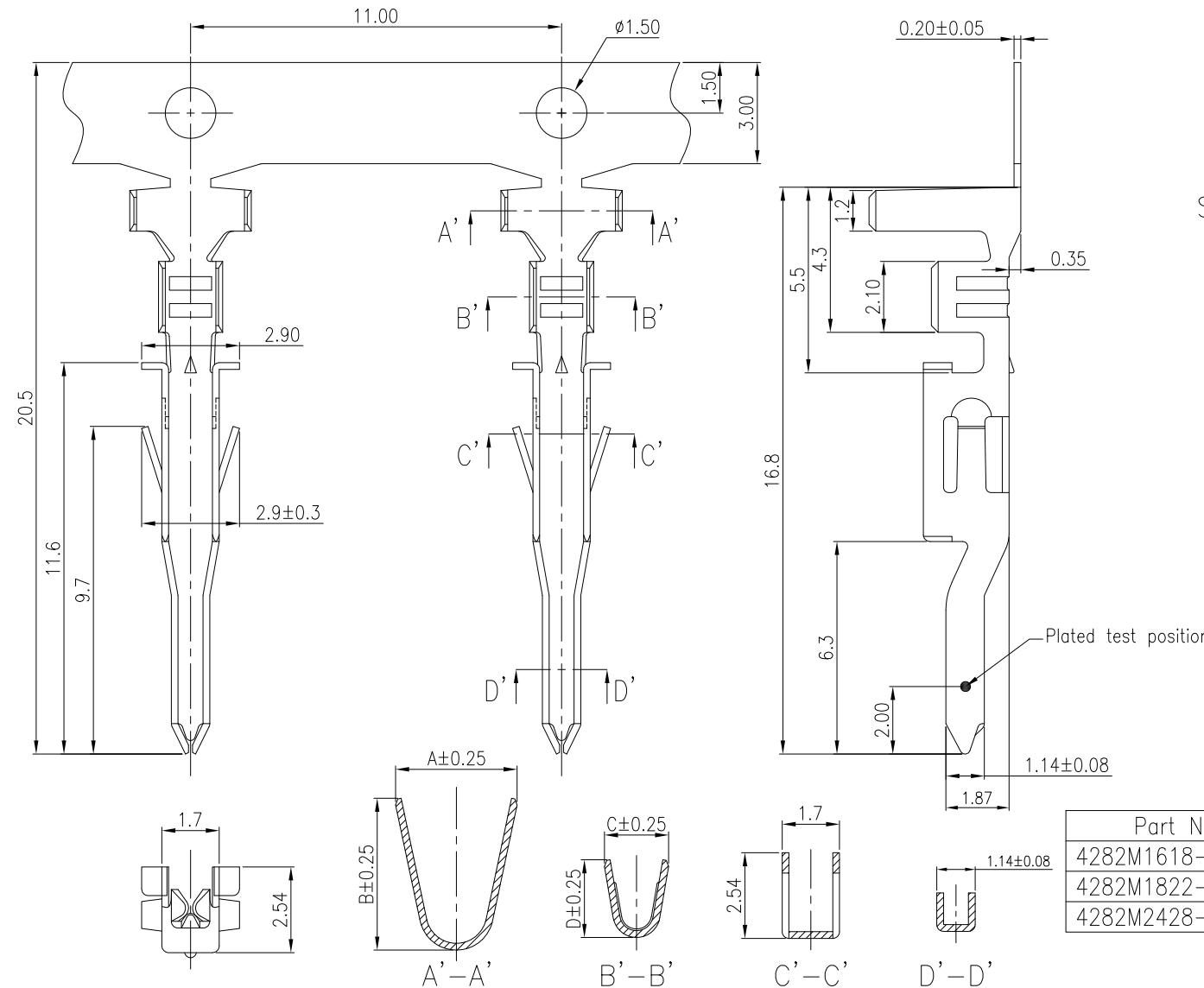


Specifications:

Current Rating:9.0 AC/DC
 Voltage Rating:600V AC/DC
 Contact Resistance:10m ohm. max.
 Withstanding Voltage:1,500V AC/minute
 Operating Temperature Range:-40°C~+105°C
 Application Wires:AWG16 to 28
 Mates With 4282 Series Housing
 Material and Finish
 Contact:Phosphor Bronze
 Finish:Tin Plated
 Packing:See Table



Part No	Wire Apply	A	B	C	D	INS. O.D.	Q'ty/Reel
4282M1618-99	16-18AWG	3.6	4.5	2.3	2.7	ø3.1MAX	4,000Pcs
4282M1822-99	18-22AWG	3.6	4.5	1.9	2.3	ø1.3-3.1	4,000Pcs
4282M2428-99	24-28AWG	2.3	2.3	1.8	1.65	ø0.9-1.8	5,000Pcs

RoHS Compliant

REV	DATE	FILE	BY

DRAWN:	GENERAL TOLERANCE: .X=±0.20 .XX=±0.15
CHECKED:	UNIT: MM SCALE:1:1
APPROVAL:	SHEET: 1 / 2 PROJECTION:

CnC Tech Industrial Cable and Connector Technology	
DESCRIPTION: MALE TERMINAL MATES W/ FEMALE HOUSING 4281 SERIES, PHOSPHOR BRONZE, CRIMP TIN	SIZE: A4
PART NO: 4282MXXXX-99	

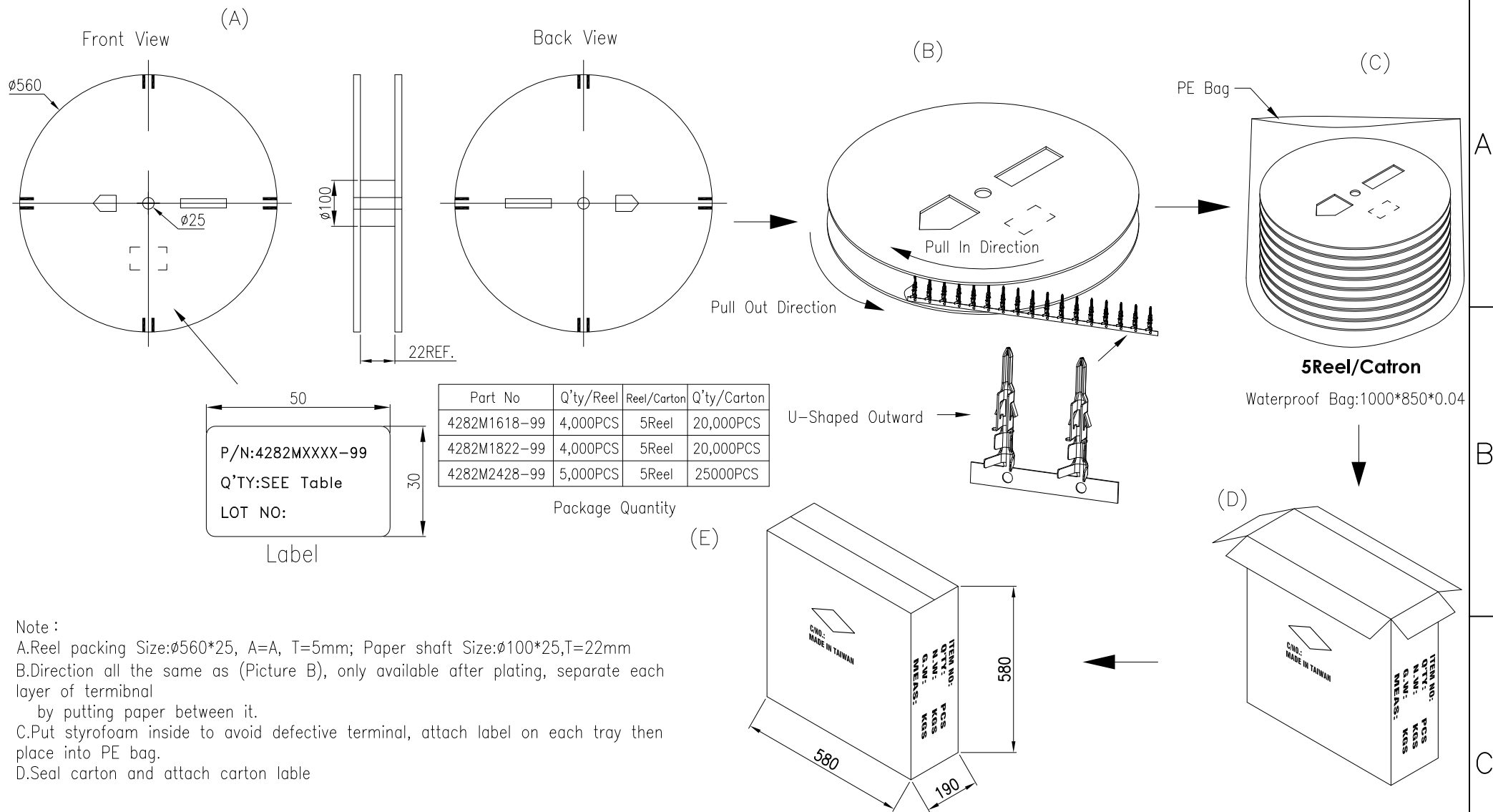
1

2

3

4

5



RoHS Compliant

DRAWN:

GENERAL TOLERANCE:

.X = ± 0.20 .XX = ± 0.15

CHECKED:

UNIT: MM

DESCRIPTION:

MALE TERMINAL MATES W/ FEMALE HOUSING 4281 SERIES, PHOSPHOR BRONZE, CRIMP TIN PACKING

SIZE

APPROVAL:

SCALE: 1:1

SHEET: 2 / 2

PART NO:

4282MXXXX-99

A4

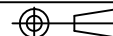
REV

DAIE

FILE

BY

PROJECTION:



CnC Tech

Industrial Cable and Connector Technology

D