

HC-D15-SG-RBK - Flat gasket

1414669

<https://www.phoenixcontact.com/pc/products/1414669>



Please be informed that the data shown in this PDF document is generated from our online catalog. Please find the complete data in the user documentation. Our general terms of use for downloads are valid.

Replacement flat gasket, for HEAVYCON EVO panel mounting base HC-EVO-D15.....BK



Commercial data

Item number	1414669
Packing unit	10 pc
Minimum order quantity	1 pc
Product key	BF7APZ
Catalog page	Page 652 (C-4-2015)
GTIN	4055626031200
Weight per piece (including packing)	4.04 g
Weight per piece (excluding packing)	4.04 g
Customs tariff number	40169300
Country of origin	DE

HC-D15-SG-RBK - Flat gasket

1414669


<https://www.phoenixcontact.com/pc/products/1414669>

Technical data

Product properties

Type	D15
Product type	Seal

Dimensions

Dimensional drawing	
Width	39.2 mm
Height	2 mm
Length	82 mm
Drill hole distance, horizontal	70 mm
Drill hole distance, vertical	17.5 mm
Hole diameter	7.1 mm

Material specifications

Seal material Flat gasket	NBR
---------------------------	-----

Environmental and real-life conditions

Ambient conditions

Ambient temperature (operation)	-40 °C ... 125 °C
---------------------------------	-------------------

Mounting

Assembly instructions	For HC-EVO-D15...BK housing
-----------------------	-----------------------------

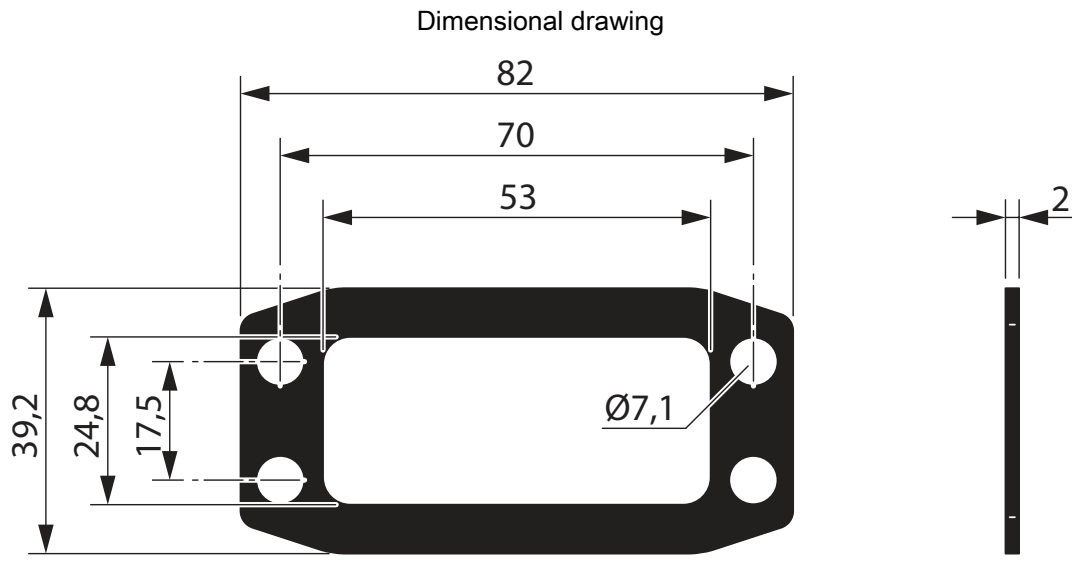
HC-D15-SG-RBK - Flat gasket

1414669

<https://www.phoenixcontact.com/pc/products/1414669>



Drawings



Dimensional drawing

HC-D15-SG-RBK - Flat gasket

1414669

<https://www.phoenixcontact.com/pc/products/1414669>



Approvals

To download certificates, visit the product detail page: <https://www.phoenixcontact.com/pc/products/1414669>



EAC

Approval ID: RU C-DE.AI30.B.01102

HC-D15-SG-RBK - Flat gasket



1414669

<https://www.phoenixcontact.com/pc/products/1414669>

Classifications

ECLASS

ECLASS-11.0	23071590
ECLASS-12.0	23071590
ECLASS-13.0	23071590

ETIM

ETIM 8.0	EC002498
----------	----------

UNSPSC

UNSPSC 21.0	31401600
-------------	----------

HC-D15-SG-RBK - Flat gasket



1414669

<https://www.phoenixcontact.com/pc/products/1414669>

Environmental product compliance

China RoHS	Environmentally friendly use period: unlimited = EFUP-e No hazardous substances above threshold values
------------	---

Phoenix Contact 2023 © - all rights reserved
<https://www.phoenixcontact.com>

PHOENIX CONTACT GmbH & Co. KG
Flachmarktstraße 8
D-32825 Blomberg
+49 (0) 5235-3 00
info@phoenixcontact.com