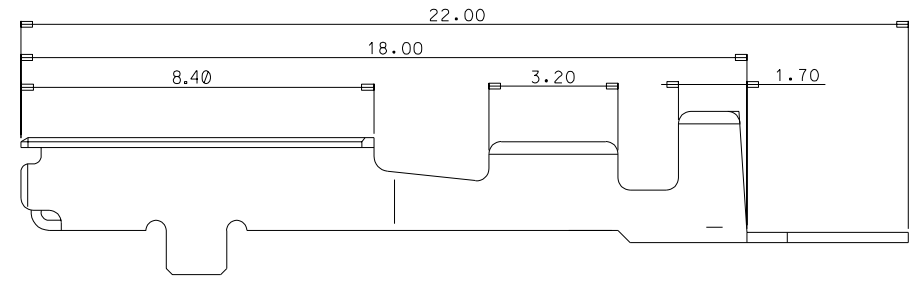
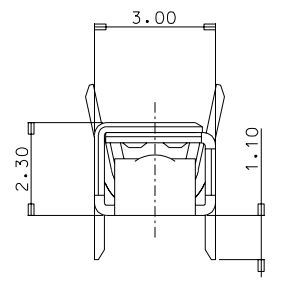
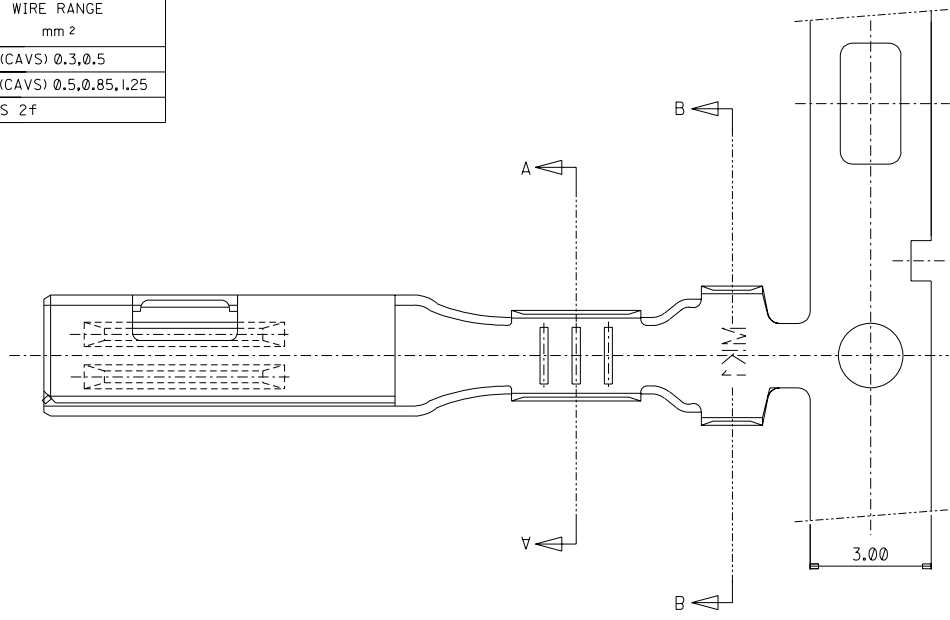
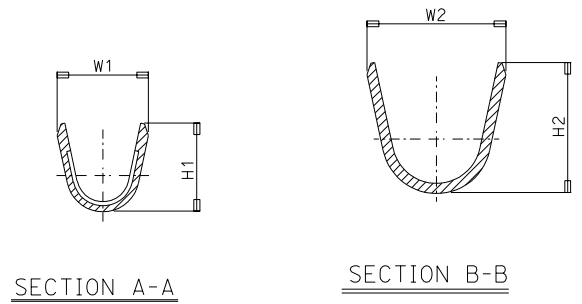


DO NOT SCALE DRAWING DIMENSION IN METRIC

PROJECT NO. SIMILAR ITEM DWG. NO. SD-49702-001

ENG.NO	DESCRIPTION	DIMENSION				WIRE RANGE mm ²
		W1	H1	W2	H2	
49702-6702	.090 FEMALE TERMINAL-LIF TYPE (S)	2.1	2.2	3.4	3.25	AVS(CAVS) 0.3,0.5
49702-6802	.090 FEMALE TERMINAL-LIF TYPE (M)	2.6	2.95	4.0	3.8	AVS(CAVS) 0.5,0.85,1.25
49702-6902	.090 FEMALE TERMINAL-LIF TYPE (L)	3.6	4.0	4.3	3.9	AVSS 2f



- NOTES
1. MATERIAL: COPPER ALLOY 0.25± ± 0.01
 2. FINISH: PRE-TIN PLATING
 3. MATING TERMINAL: 57919-6•02
APPLICABLE HOUSING: 49009-4610

NEW RELEASED EC NO. KOR2004-0071 DRWN: B.C.YOON 03/12/11 CHK: B.C.YOON 03/12/11 APPR: C.W.LEE	QUALITY SYMBOLS MAJOR = 0 CRITICAL = 0	GENERAL TOLERANCES: (UNLESS SPECIFIED)		SCALE 8:1	DESIGN UNITS <input checked="" type="checkbox"/> mm <input type="checkbox"/> INCH	THIRD ANGLE PROJECTION	DIMENSIONS: <input type="checkbox"/> mm <input type="checkbox"/> INCH <input checked="" type="checkbox"/> mm ONLY	SHT	REV
		4 PLACES ±.	mm	INCH	DRAWN BY & DATE B.C.YOON 03/08/13		TITLE: .090 FEMALE TERMINAL(LIF TYPE)		
		3 PLACES ±.			CHECKED BY & DATE B.C.YOON 03/08/13		MOLEX MOLEX INCORPORATED		
		2 PLACES ±0.30			APPROVED BY & DATE C.W.LEE 03/08/13		MATERIAL NO. SEETABLE	DRAWING NO. SD-49702-001	SHEET NO. 10F1
1 PLACE ±0.30			ANGULAR: ± 3 °		THIS DRAWING CONTAINS INFORMATION THAT IS PROPRIETARY TO MOLEX INCORPORATED AND SHOULD NOT BE USED WITHOUT WRITTEN PERMISSION.			SIZE B	
REV	DESCRIPTION	DRAFT WHERE APPLICABLE MUST REMAIN WITHIN DIMENSIONS							