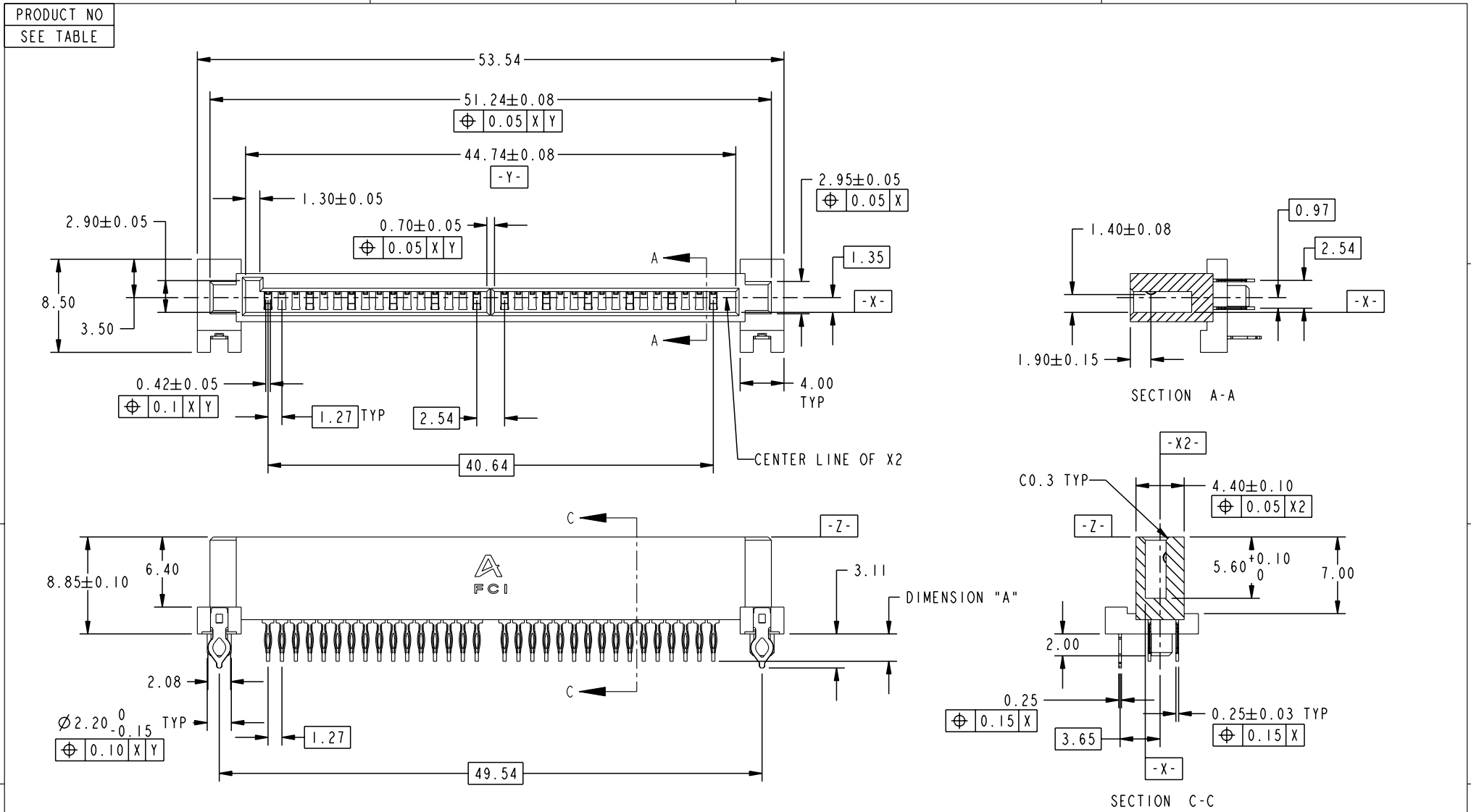


Tous droits strictement réservés. Reproduction ou communication à des tiers interdite sous quelque forme que ce soit sans autorisation écrite du propriétaire. Propriété de c FCI. Droits de reproduction FCI.



All rights strictly reserved. Reproduction or issue to third parties in any form whatever is not permitted without written authority from the proprietor. Property of FCI. Copyright FCI.



GENERAL TOLERANCE UNLESS OTHERWISE SPECIFIED		rev	ecn no	dr	date
		A	S05-0334	CST	12/16/05
LINEAR	X.X = ±0.25 X.XX = ±0.13 X.XXX = ±0.05				
ANGULAR	±2°				

FCI www.fciconnect.com		tolerance ASME Y14.5	projection ASME Y14.5	MM
Dr	SH TAN	04/26/04	Product family	size A4
Eng	CS TEO	12/16/05	Spec ref	Scale 2:1
Chr	CS TEO	12/16/05	Material	ECN S05-0334
Appr	JOEY NG	12/16/05	SEE NOTES	
title 4 LANE RECEPTACLE VERTICAL P/F ASSY			dwg no 10040812	Rev. A
catalog no			CUSTOMER	sheet 1 of 2

1

2

3

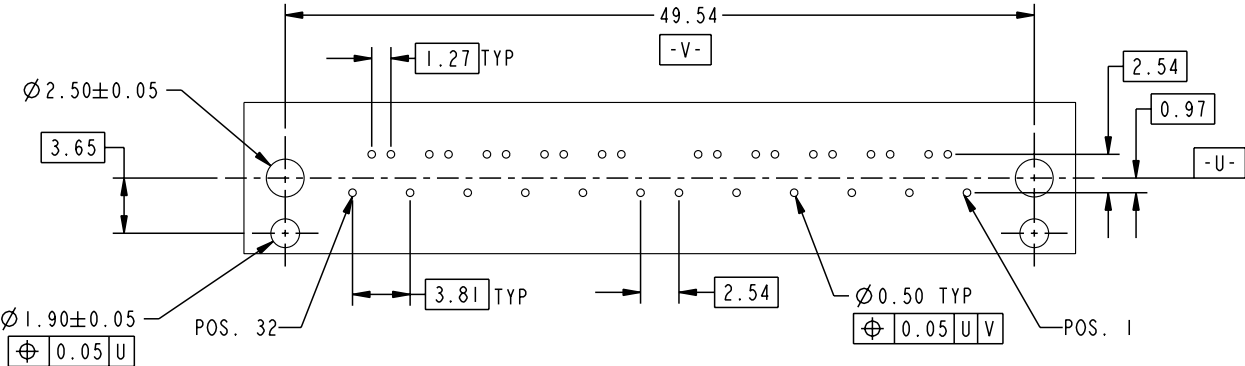
4

PRODUCT NO.	PCB THICKNESS	DIMENSION "A"	CONTACT GOLD THICKNESS
10040812-001LF	1.57±0.10	2.50±0.10	30 u"/0.76 um

Tous droits strictement reserves. Reproduction ou communication a des tiers interdite sous quelque forme que ce soit sans autorisation écrite du propriétaire. Propriete de c FCI. Droits de reproduction FCI.



All rights strictly reserved. Reproduction or issue to third parties in any form whatever is not permitted without written authority from the proprietor. Property of FCI. Copyright FCI.



RECOMMENDED PCB LAYOUT
SCALE 2:1

NOTE: -

- MATERIAL:
 - HOUSING - HIGH TEMPERATURE PLASTIC, BLACK OR GRAY
 - CONTACT - COPPER ALLOY
 - BOARD LOCK - COPPER ALLOY
- FINISH:
 - ALL CONTACTS AND BOARD LOCKS NICKEL UNDERPLATE OVERALL, TIN (LEAD-FREE) ON SOLDER TAILS, GOLD ON CONTACT AREAS
- THIS PRODUCT MEETS EUROPEAN UNION DIRECTIVES AND OTHER COUNTRY REGULATIONS AS DESCRIBED IN GS-22-008
- THE HOUSING WILL WITHSTAND EXPOSURE TO 260°C PEAK TEMPERATURE FOR 10 SECONDS IN A CONVECTION, INFRA-RED OR VAPOR PHASE REFLOW OVEN

title	4 LANE RECEPTACLE VERTICAL P/F ASSY		dwg no	10040812	Rev.	A
	catalog no	CUSTOMER		sheet 2 of 2		