

MATERIALS AND FINISHES

BODY ZINC ALLOY
PLATED TIN (100u-in MIN) OVER
NICKEL (100u-in MIN)

CAP ZINC ALLOY
PLATED NICKEL (100u-in MIN)

CENTER CONTACT PHOSPHOR BRONZE
PLATED GOLD (10u-in MIN) OVER
NICKEL (100u-in MIN)

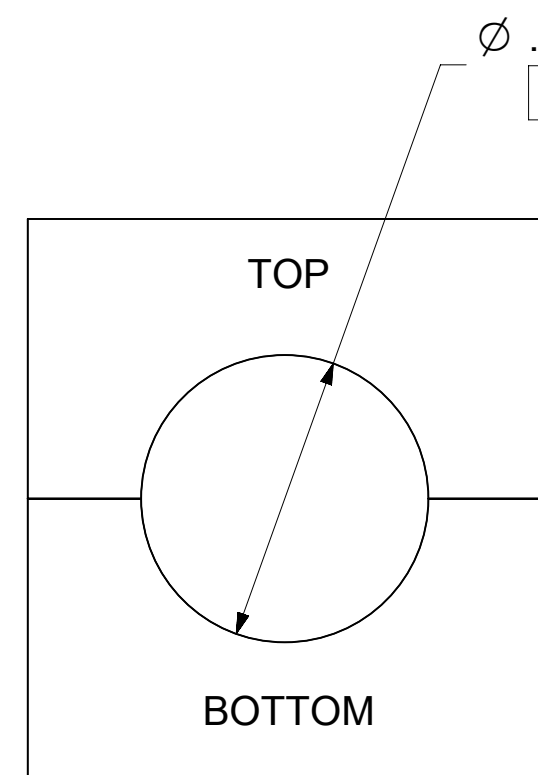
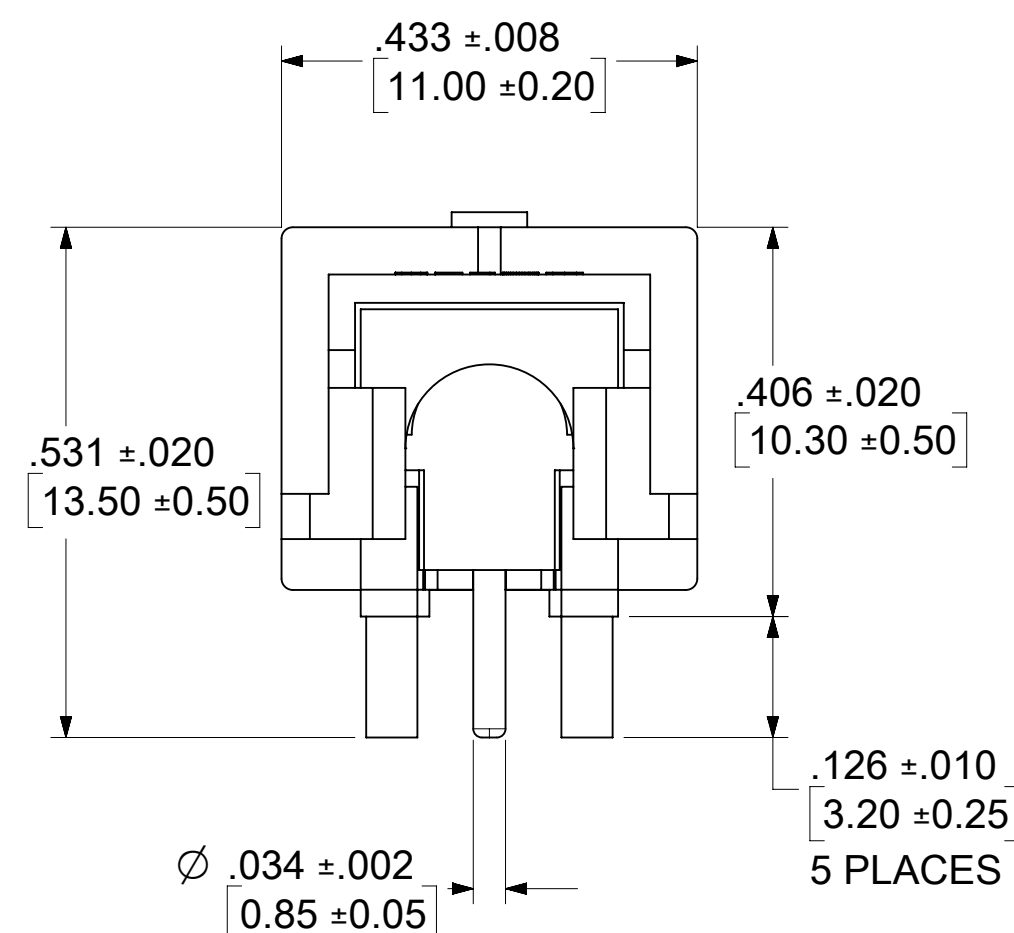
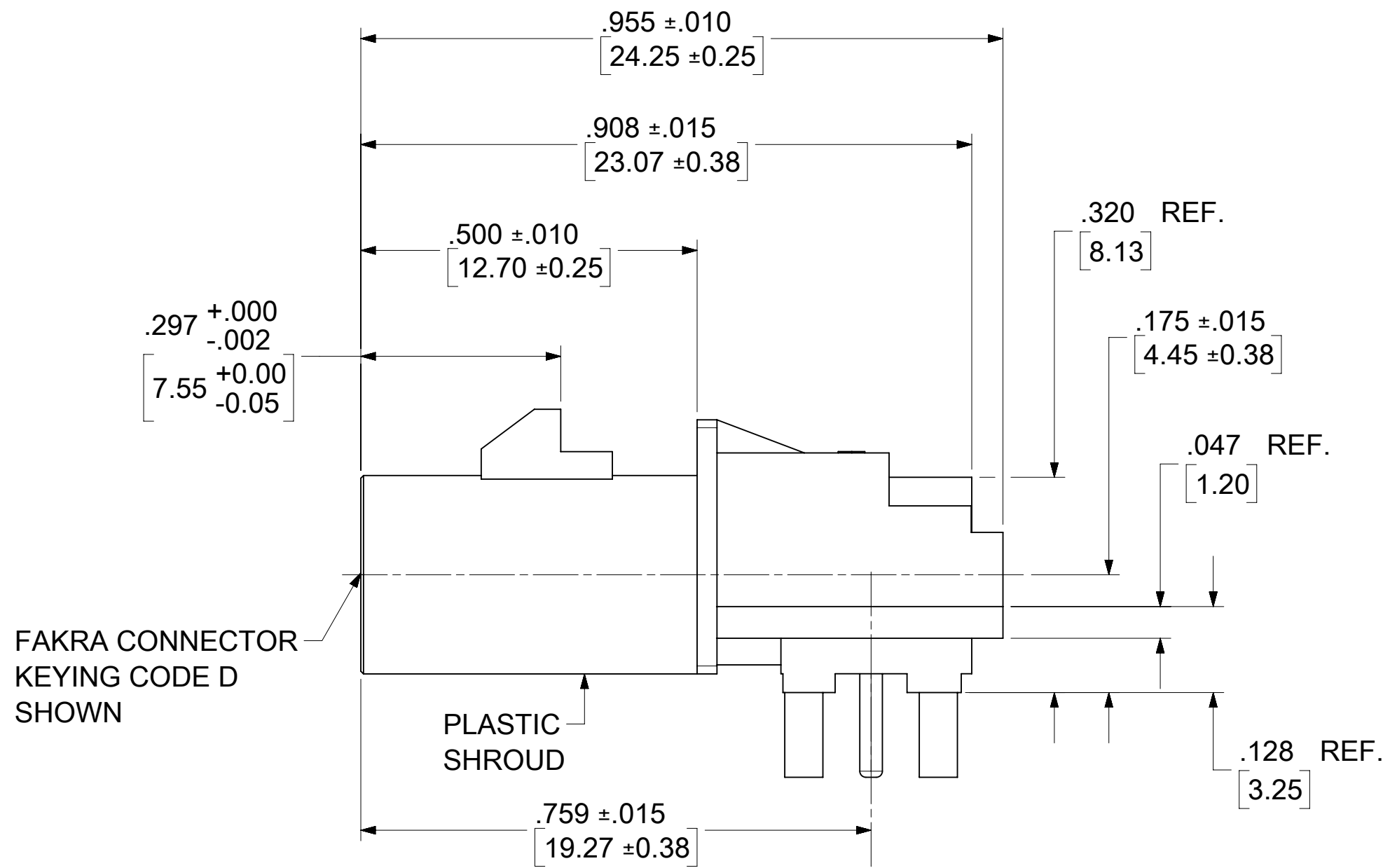
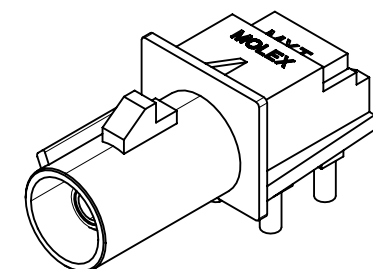
INSULATOR LCP

OUTER CASING HIGH TEMPERATURE PLASTIC
KEYING SEE SHEET 2
COLOR SEE SHEET 2

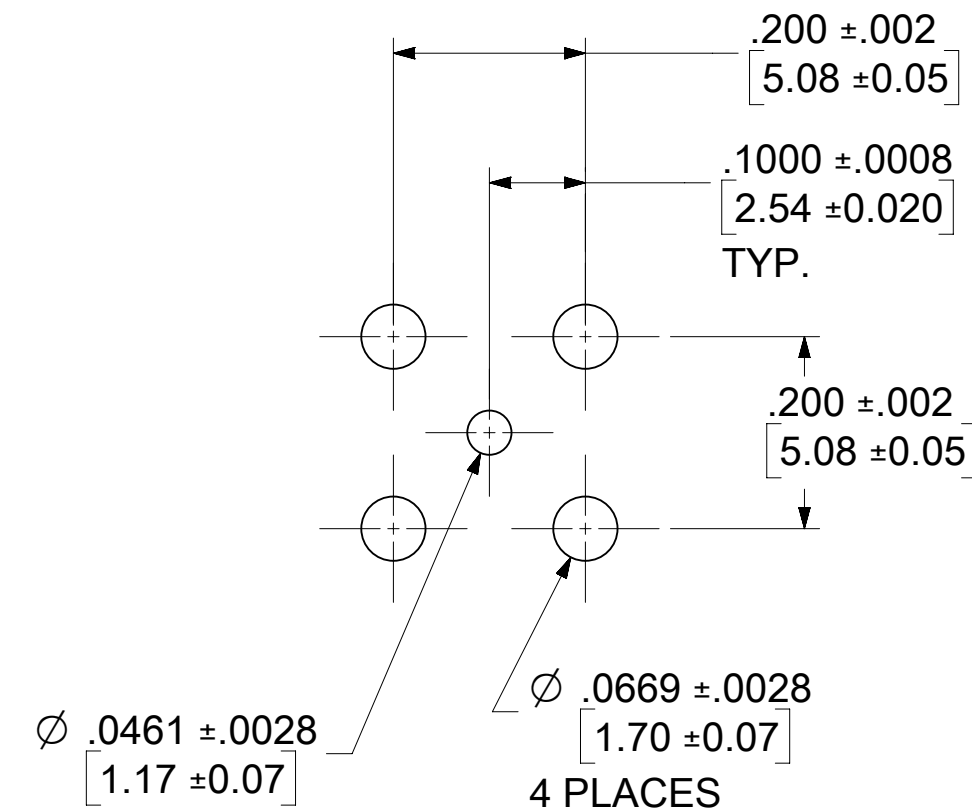
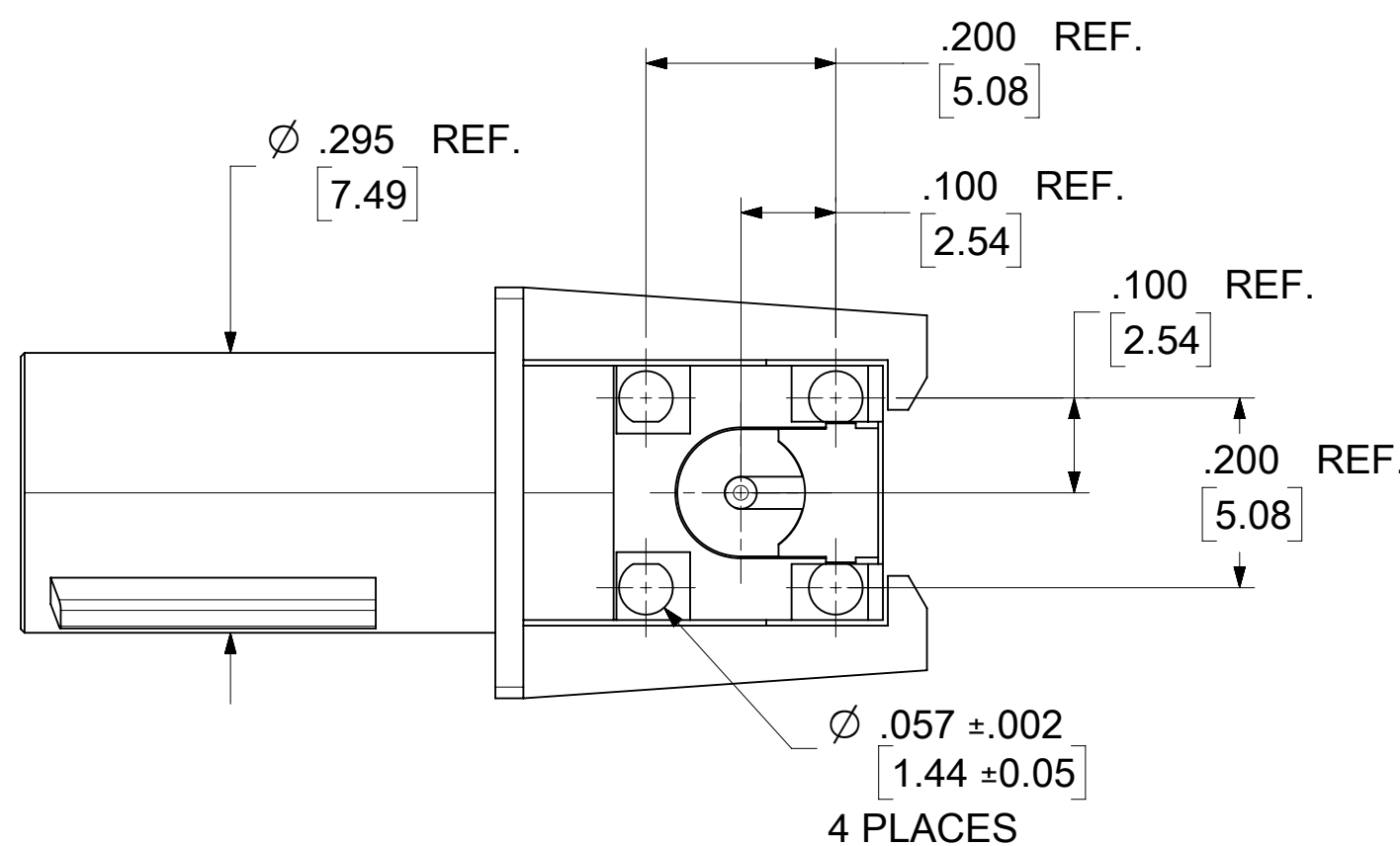
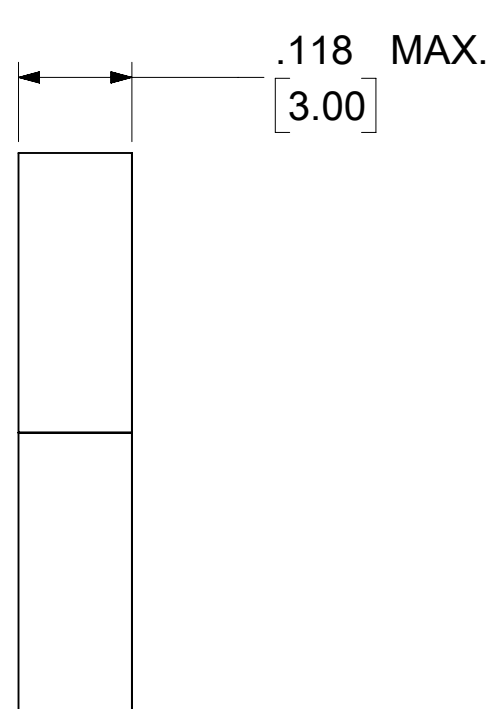
PACKAGING BY TRAY
SEE SHEET 3

RETENTION SPECIFICATION:

THE FAKRA CONNECTOR SHROUD WILL WITHSTAND
A LONGITUDINAL FORCE OF 110 N (24.75 LBS)



RECOMMENDED PANEL CUTOUT

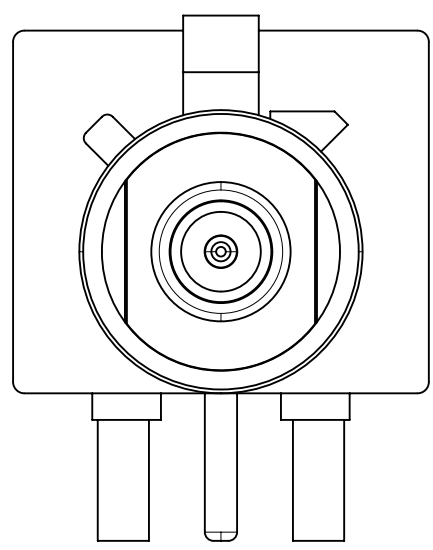


RECOMMENDED PCB LAYOUT

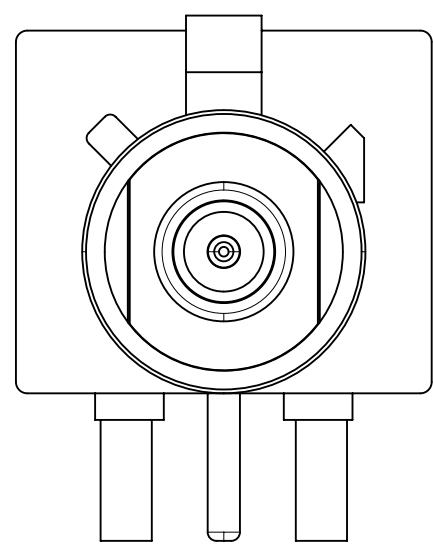
PS-89675-3310	PRODUCT SPECIFICATION
SPECIFICATION	DESCRIPTION

FUNCTIONAL SYMBOLS		THIS DRAWING CONTAINS INFORMATION THAT IS PROPRIETARY TO MOLEX ELECTRONIC TECHNOLOGIES, LLC AND SHOULD NOT BE USED WITHOUT WRITTEN PERMISSION		CURRENT REV DESC: ADDED PANEL CUTOUT PER EWR # 15015-B	
FA = 0	DIMENSION UNITS	SCALE	EC NO: 710773		
FC = 0	INCH/MM	NTS	DRWN: ELIN	2022/06/09	
FP = 0	GENERAL TOLERANCES (UNLESS SPECIFIED)		CHK'D: YCHENG	2022/06/22	
DIVISIONAL SYMBOLS		ANGULAR TOL ± 2.0°	APPR: YCHENG	2022/06/22	SMB JACK, R/A, PCB, FAKRA 50 OHMS, 4.45MM HEIGHT EWR-3611 SMB-J/RA/FAKRA
4 PLACES ±			INITIAL REVISION:		
3 PLACES ±			DRWN: SSHAH	2008/06/24	PRODUCT CUSTOMER DRAWING
2 PLACES ±			APPR: JWIENER	2008/06/24	DOCUMENT NUMBER
1 PLACE ±			THIRD ANGLE PROJECTION		DOC TYPE
0 PLACES ±			DRAFT WHERE APPLICABLE MUST REMAIN WITHIN DIMENSIONS	C-SIZE	DOC PART
				73404	REVISION
				SEE TABLE	SD-73404-264
				GENERAL MARKET	PSD 001 A7
				SHEET NUMBER	1 OF 3

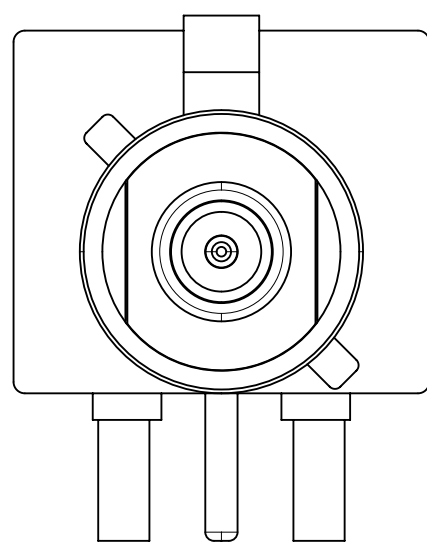
DOCUMENT STATUS	P1	RELEASE DATE	2022/06/22	06:32:14
-----------------	----	--------------	------------	----------



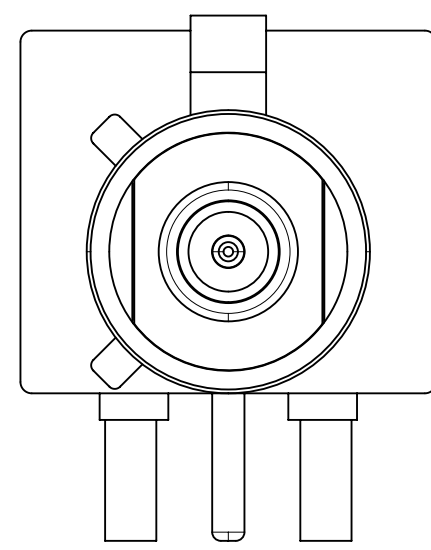
CODE A



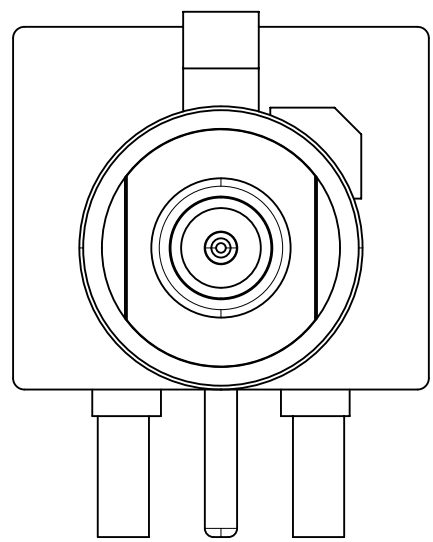
CODE B



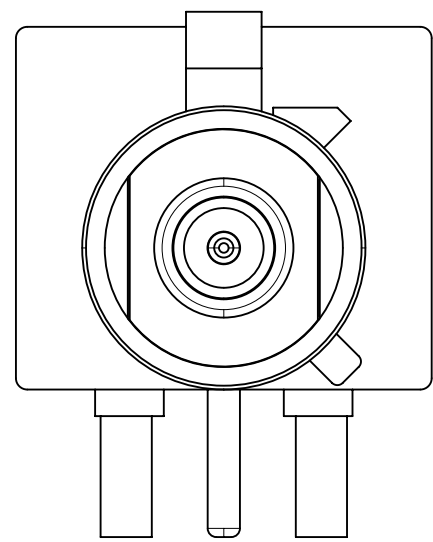
CODE C



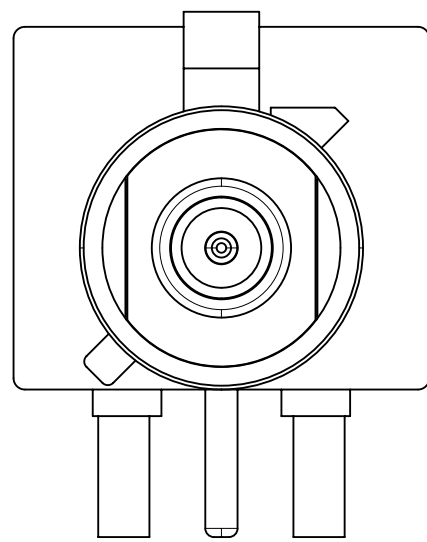
CODE D



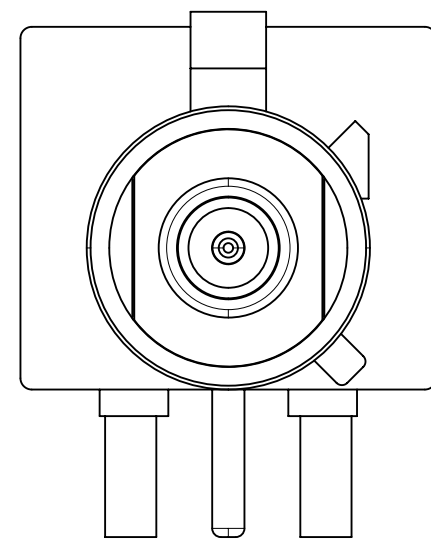
CODE E



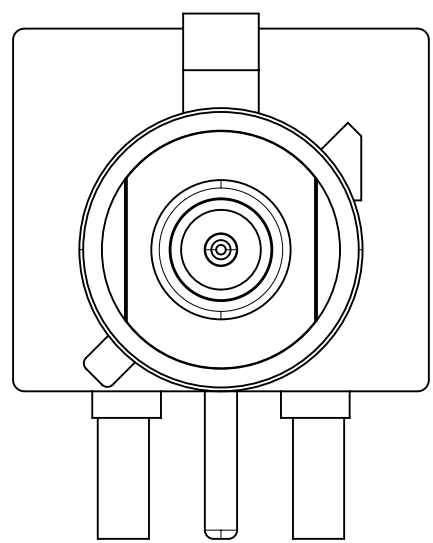
CODE F



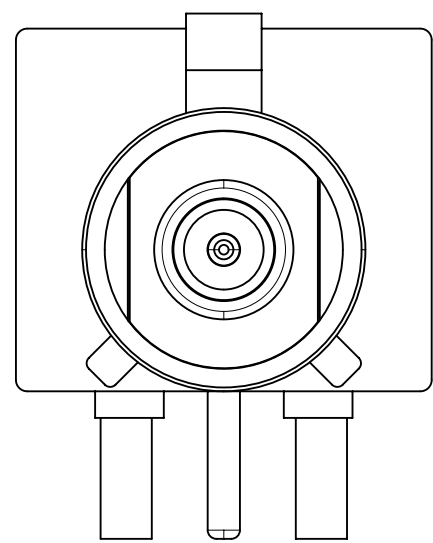
CODE G



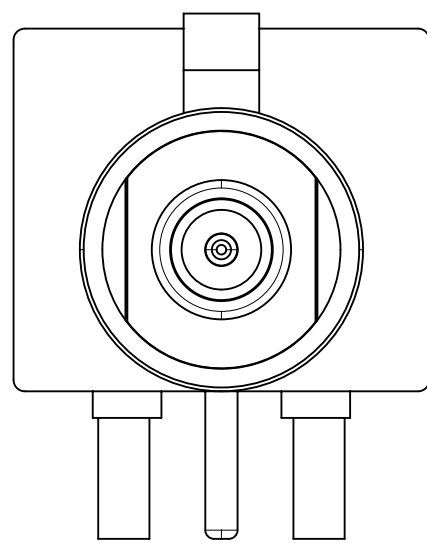
CODE H



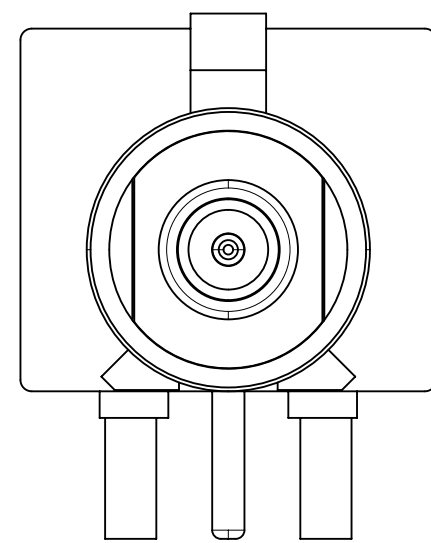
CODE I



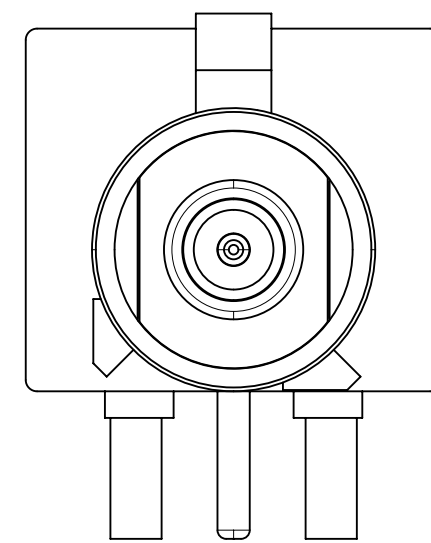
CODE K



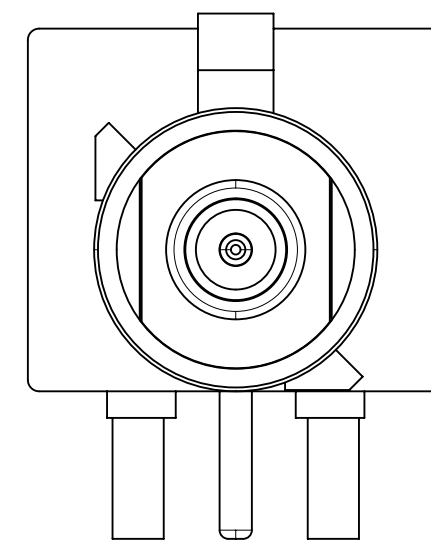
CODE Z



CODE L



CODE M



CODE N

N	PASTEL GREEN	73404-2653
M	PASTEL ORANGE	73404-2652
L	CARMINE RED	73404-2651
Z	WATER BLUE	73404-2650
K	CURRY YELLOW	73404-2649
I	BEIGE	73404-2648
H	VIOLET	73404-2647
G	GRAY	73404-2646
F	BROWN	73404-2645
E	GREEN	73404-2644
D	BORDEAUXVIOLET	73404-2643
C	BLUE	73404-2642
B	CREAM WHITE	73404-2641
A	BLACK	73404-2640
KEYING CODE	COLOR	PART NO.

FUNCTIONAL SYMBOLS	THIS DRAWING CONTAINS INFORMATION THAT IS PROPRIETARY TO MOLEX ELECTRONIC TECHNOLOGIES, LLC AND SHOULD NOT BE USED WITHOUT WRITTEN PERMISSION		
	DIMENSION UNITS	SCALE	CURRENT REV DESC: ADDED PANEL CUTOUT PER EWR # 15015-B
$\frac{E}{A} = 0$	INCH/MM	NTS	EC NO: 710773 DRWN: ELIN 2022/06/09 CHK'D: YCHENG 2022/06/22 APPR: YCHENG 2022/06/22
$\frac{E}{C} = 0$	GENERAL TOLERANCES (UNLESS SPECIFIED)		
$\frac{E}{P} = 0$	ANGULAR TOL $\pm 2.0^\circ$		INITIAL REVISION: DRWN: SSHAH 2008/06/24 APPR: JWIENER 2008/06/24
DIVISIONAL SYMBOLS	4 PLACES \pm	3 PLACES \pm	
	2 PLACES \pm	1 PLACE \pm	DOCUMENT NUMBER
	0 PLACES \pm		SD-73404-264
	DRAFT WHERE APPLICABLE MUST REMAIN WITHIN DIMENSIONS	THIRD ANGLE PROJECTION	DOC TYPE DOC PART REVISION
		DRAWING	PSD 001 A7
		SERIES	MATERIAL NUMBER CUSTOMER SHEET NUMBER
		C-SIZE	SEE TABLE GENERAL MARKET 2 OF 3
		73404	

molex

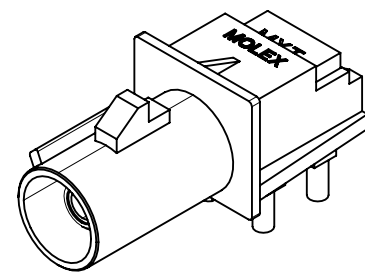
SMB JACK, R/A, PCB, FAKRA
50 OHMS, 4.45MM HEIGHT EWR-3611
SMB-J/RA/FAKRA

PRODUCT CUSTOMER DRAWING

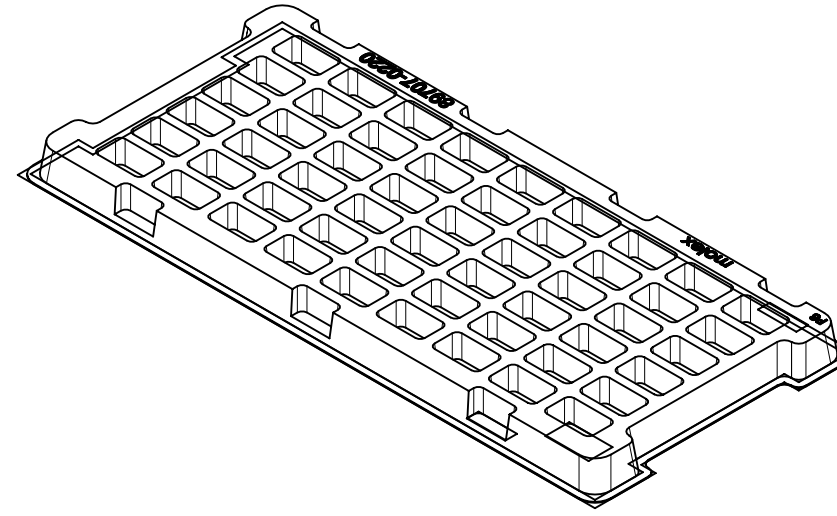
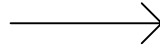
SD-73404-264

PSD 001 A7

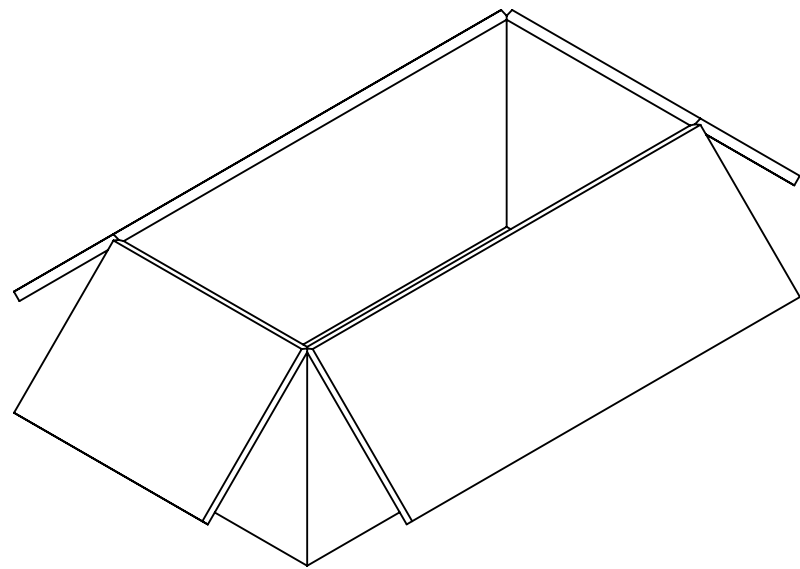
SEE TABLE GENERAL MARKET 2 OF 3



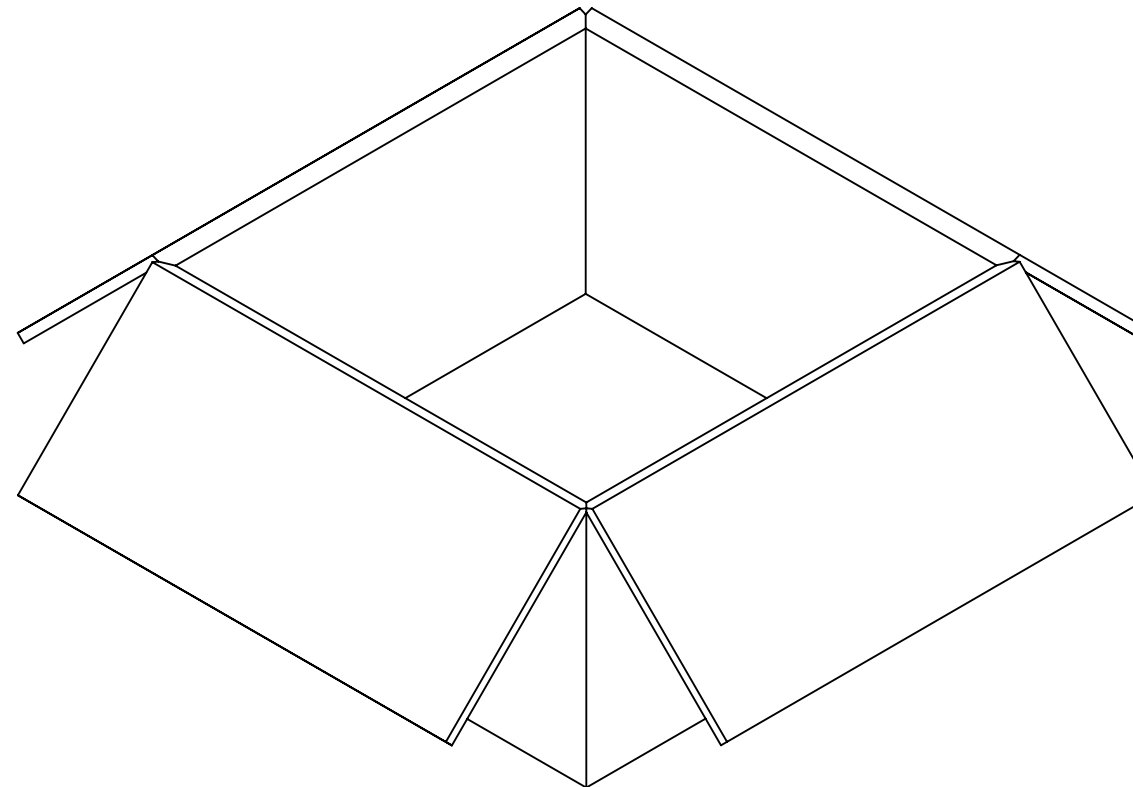
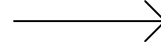
P/N: 73404-264x



54 SET PER TRAY
TRAY P/N: 89707-0220



540 SRT PER INNER
CARTON BOX
P/N: 96707-0001



1080 SRT PER OUTER
CARTON BOX
P/N: 96708-0005

FUNCTIONAL SYMBOLS										THIS DRAWING CONTAINS INFORMATION THAT IS PROPRIETARY TO MOLEX ELECTRONIC TECHNOLOGIES, LLC AND SHOULD NOT BE USED WITHOUT WRITTEN PERMISSION											
DIMENSION UNITS		SCALE		CURRENT REV DESC: ADDED PANEL CUTOUT PER EWR # 15015-B						<p>SMB JACK, R/A, PCB, FAKRA 50 OHMS, 4.45MM HEIGHT EWR-3611 SMB-J/RA/FAKRA</p>											
INCH/MM		NTS																			
GENERAL TOLERANCES (UNLESS SPECIFIED)										EC NO: 710773											
ANGULAR TOL ± 2.0°										DRWN: ELIN 2022/06/09											
4 PLACES ±										CHK'D: YCHENG 2022/06/22											
3 PLACES ±										APPR: YCHENG 2022/06/22											
2 PLACES ±										INITIAL REVISION:											
1 PLACE ±										DRWN: SSHAH 2008/06/24											
0 PLACES ±										APPR: JWIENER 2008/06/24											
DIVISIONAL SYMBOLS										THIRD ANGLE PROJECTION											
DRAFT WHERE APPLICABLE MUST REMAIN WITHIN DIMENSIONS										DRAWING		SERIES		DOCUMENT NUMBER		DOC TYPE		DOC PART		REVISION	
		C-SIZE		73404		SD-73404-264		PSD		001		A7									
				MATERIAL NUMBER				CUSTOMER				SHEET NUMBER									
				GENERAL MARKET				3 OF 3													

DOCUMENT STATUS	P1	RELEASE DATE	2022/06/22	06:32:14
-----------------	----	--------------	------------	----------