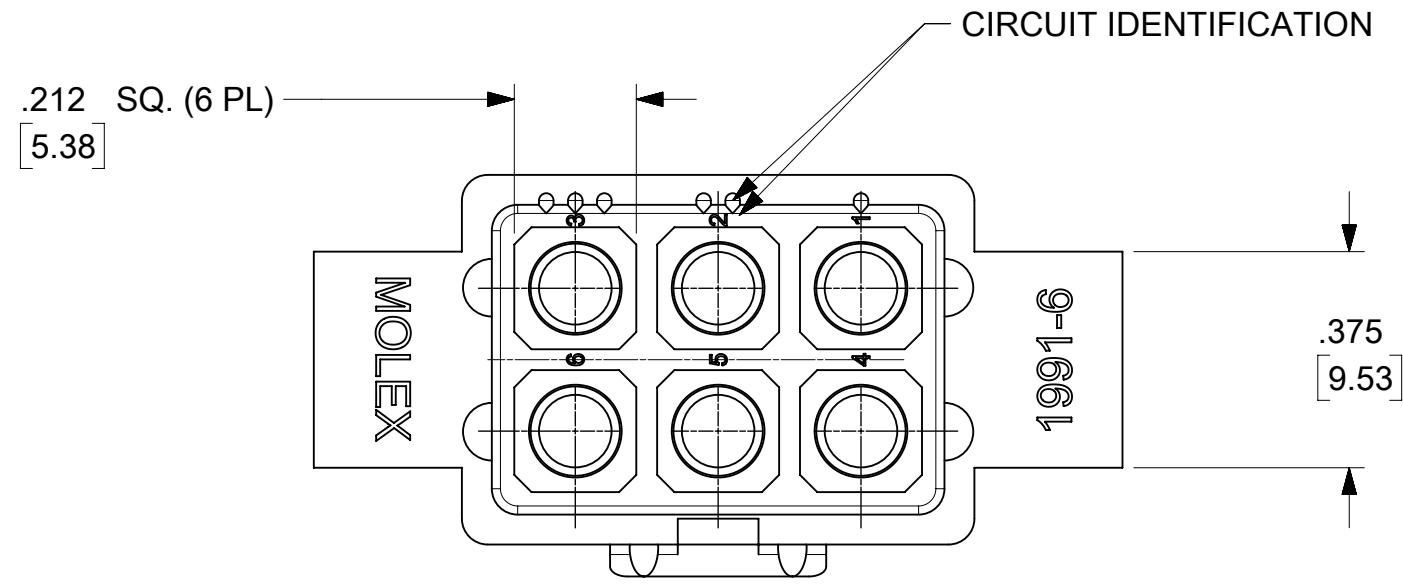
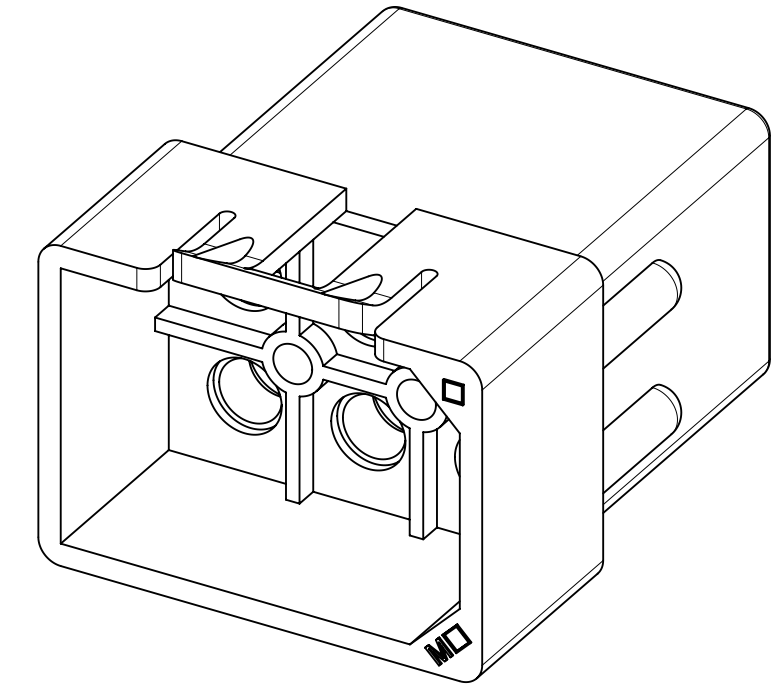
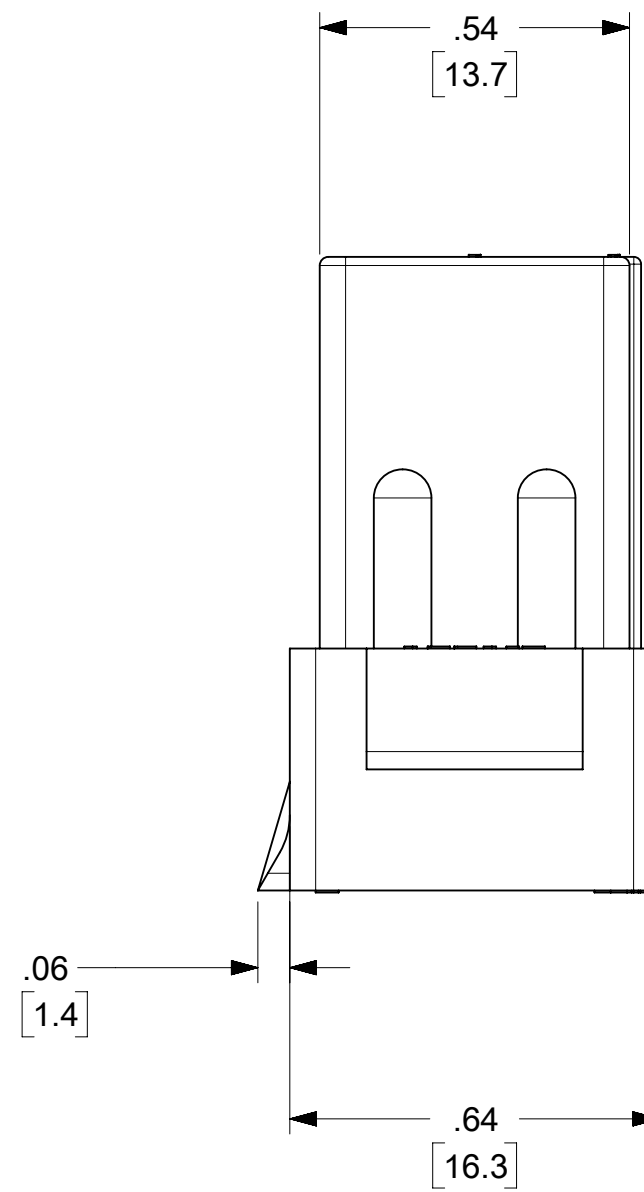
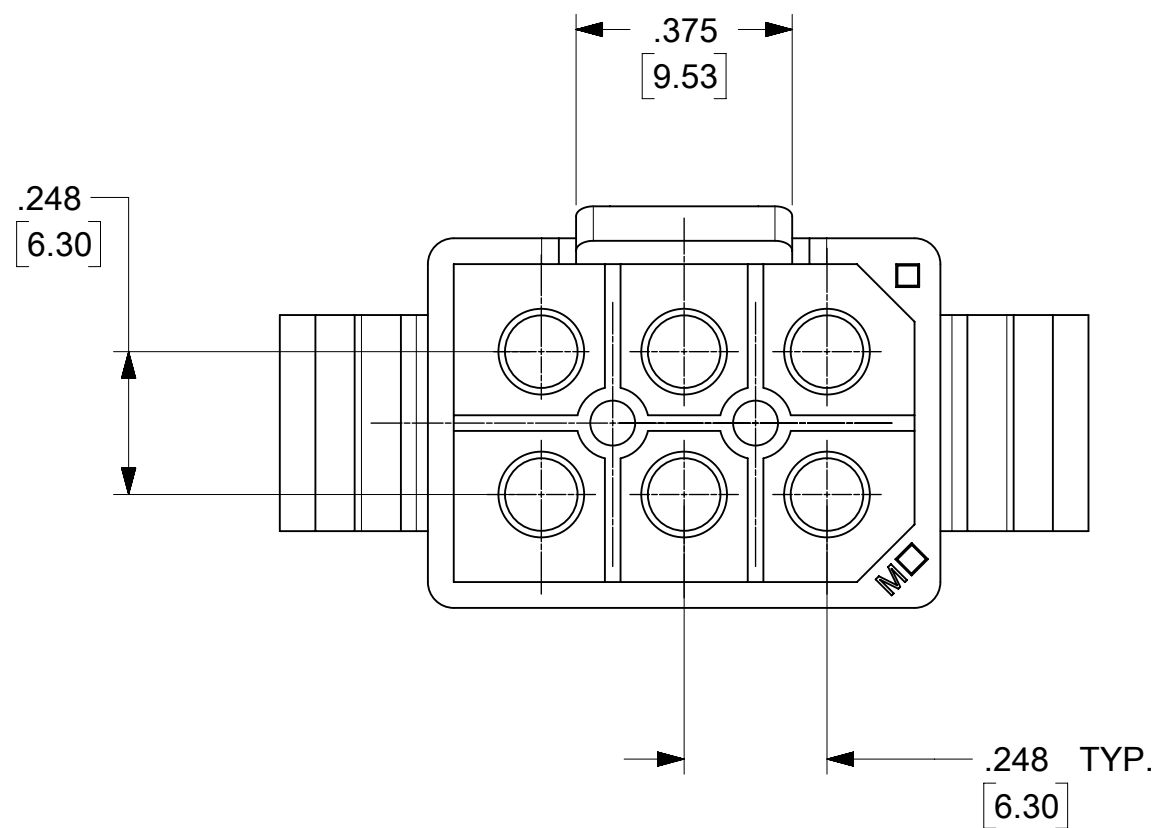
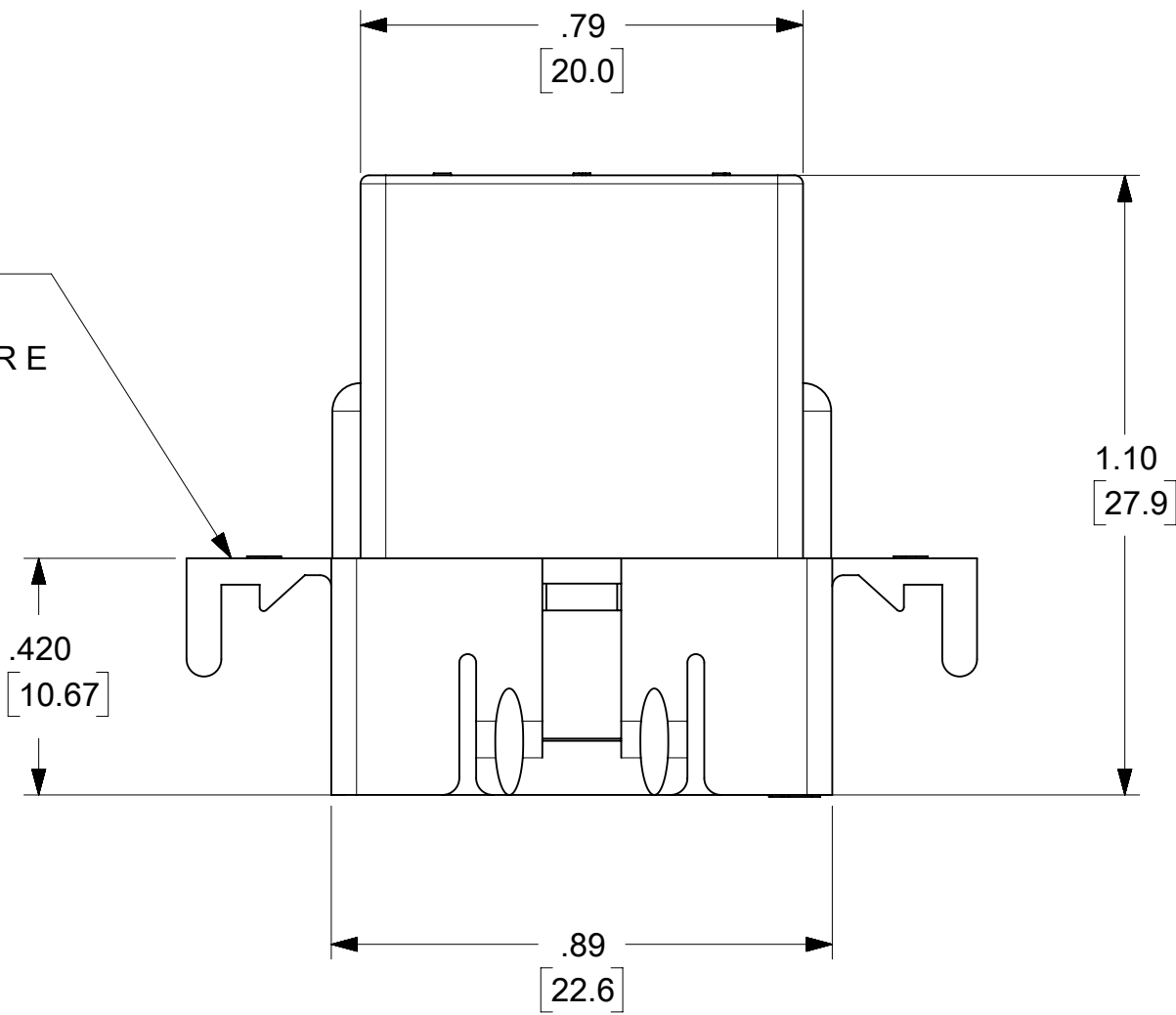


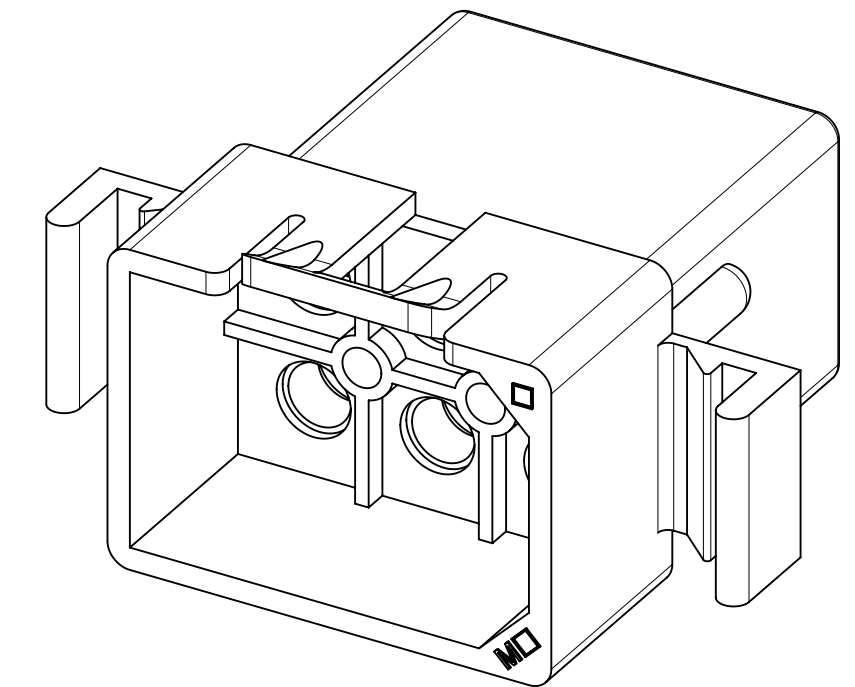
PLUG



OPTIONAL MOUNTING EAR SEE DETAIL D OR E ON SHEET 3



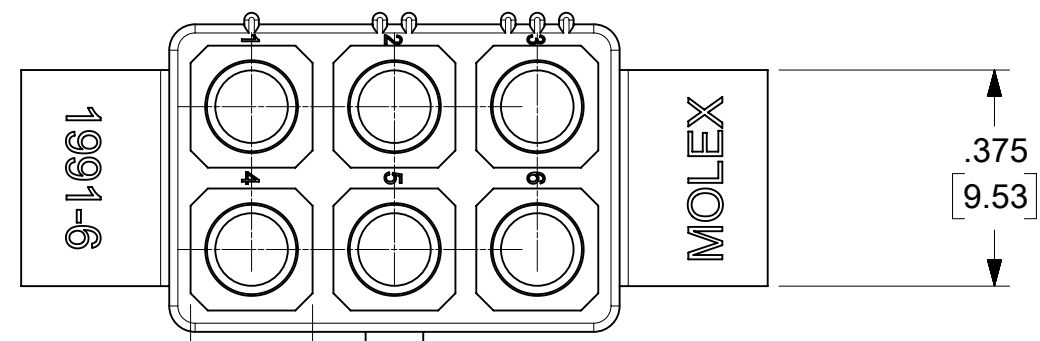
PLUG WITHOUT MOUNTING EARS



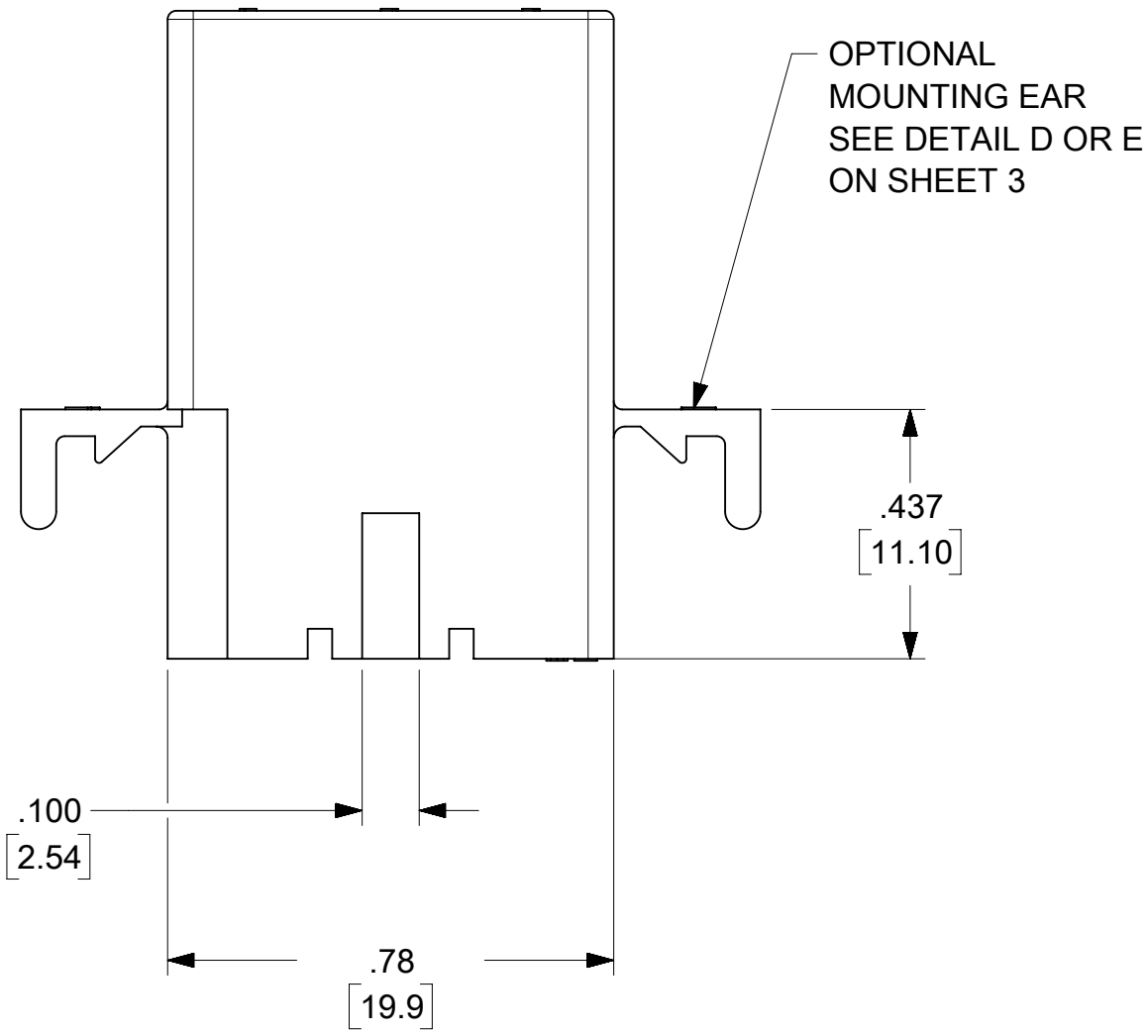
PLUG WITH STANDARD MOUNTING EARS

| | | | |
|--|---|---|---|
| SYMBOLS DIMENSION UNITS SCALE CURRENT REV DESC: REDRAW IN NX | THIS DRAWING CONTAINS INFORMATION THAT IS PROPRIETARY TO MOLEX ELECTRONIC TECHNOLOGIES, LLC AND SHOULD NOT BE USED WITHOUT WRITTEN PERMISSION | | |
| | IN/MM 3:1 | EC NO: 600557 DRWN: MKIPPER 2018/06/06 CHK'D: MKIPPER 2018/06/20 APPR: FSMITH 2018/06/26 | |
| GENERAL TOLERANCES (UNLESS SPECIFIED) | | INITIAL REVISION: DRWN: JJS 1988/02/25 APPR: FSMITH 2014/06/10 | |
| 4 PLACES ± 3 PLACES ± 2 PLACES ± 1 PLACE ± 0 PLACES ± | MM INCH | ± 0.25 ± 0.014 ± 0.36 ± ANGULAR TOL ± 1.0 ° | PRODUCT CUSTOMER DRAWING DOCUMENT NUMBER: 19910600-SD DOC TYPE: PSD DOC PART: 000 REVISION: A |
| DRAFT WHERE APPLICABLE MUST REMAIN WITHIN DIMENSIONS | THIRD ANGLE PROJECTION | DRAWING: C-SIZE SERIES: 1991 | MATERIAL NUMBER: SEE CHART CUSTOMER: |

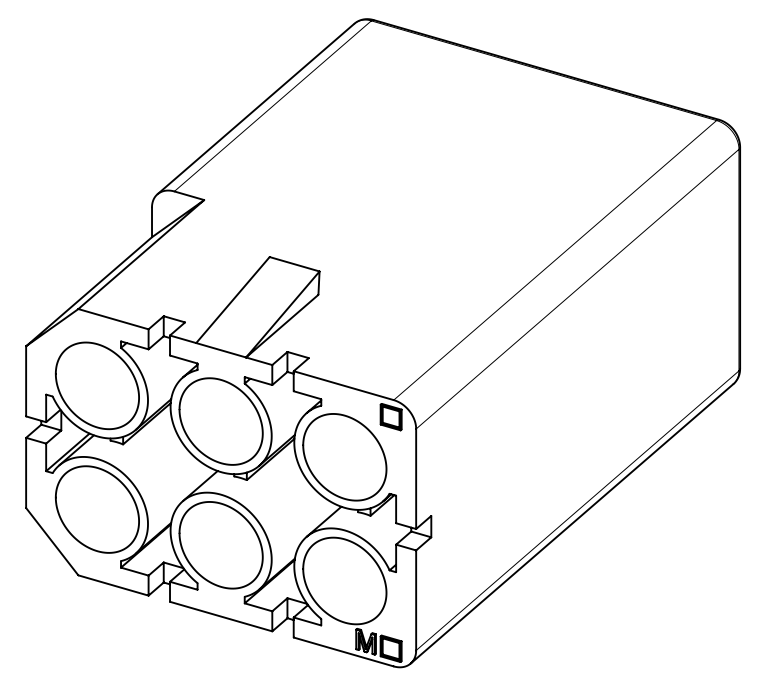
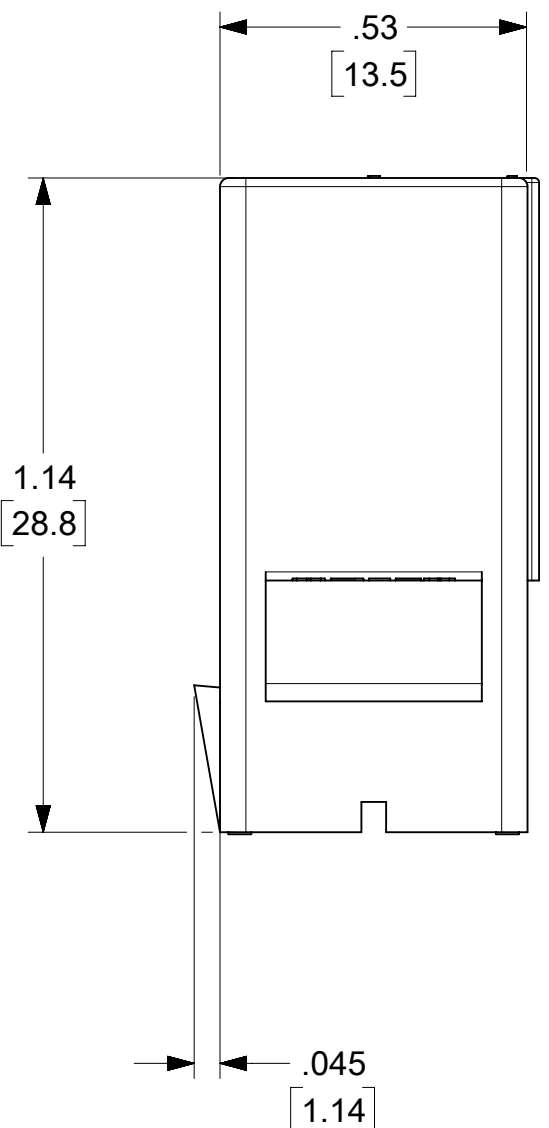
RECEPTACLE



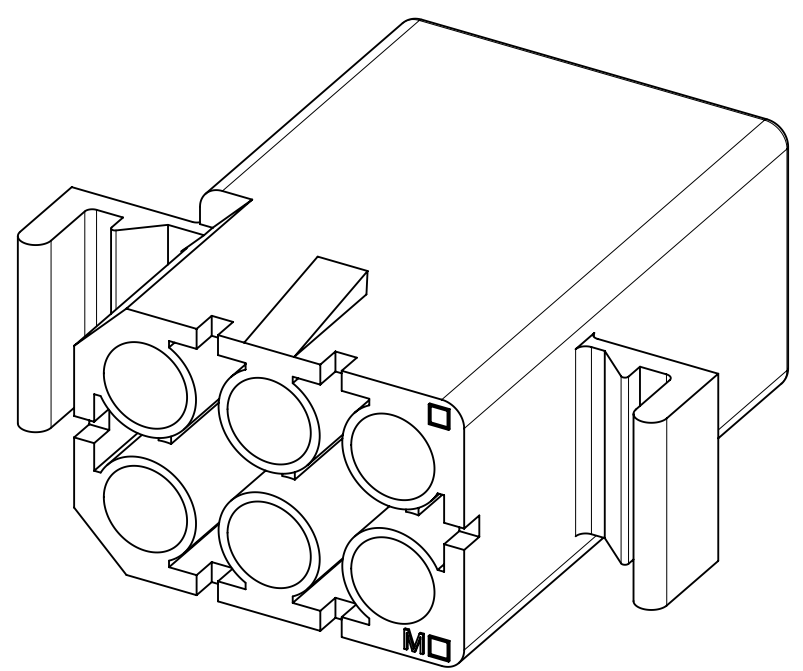
.212 SQ. (6 PL)
[5.38]



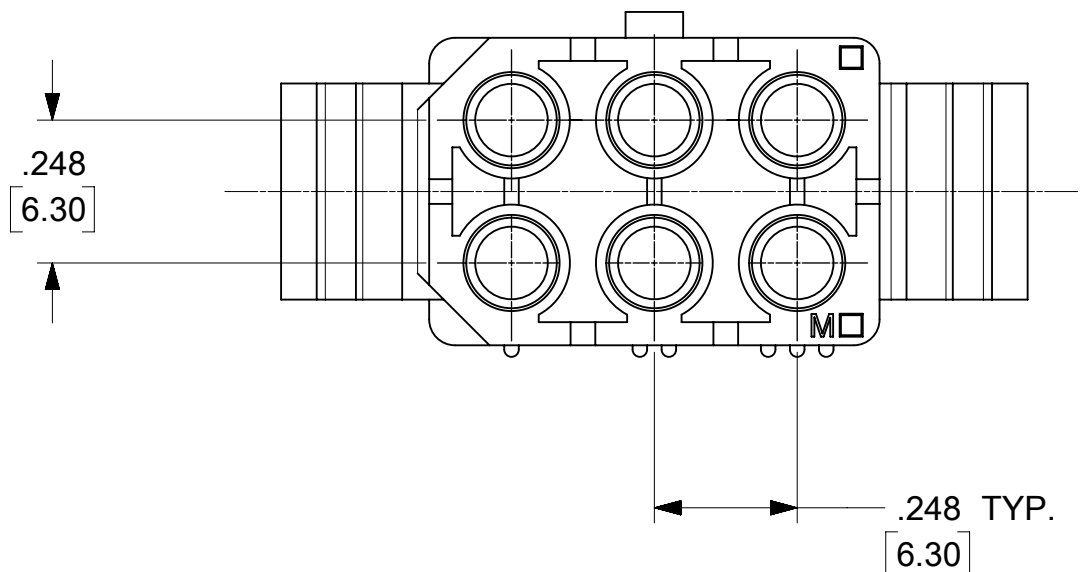
OPTIONAL MOUNTING EAR
SEE DETAIL D OR E
ON SHEET 3



RECEPTACLE WITHOUT MOUNTING EARS



RECEPTACLE WITH STANDARD MOUNTING EARS



| | | | | | | | | | | | |
|---|--|-----------------|-------|-------|-------|---|------------|-----------------|----------|----------|--------------|
| THIS DRAWING CONTAINS INFORMATION THAT IS PROPRIETARY TO MOLEX ELECTRONIC TECHNOLOGIES, LLC AND SHOULD NOT BE USED WITHOUT WRITTEN PERMISSION | | | | | | | | | | | |
| SYMBOLS | | DIMENSION UNITS | | SCALE | | CURRENT REV DESC: REDRAW IN NX | | | | | |
| ∇ = 0 | IN/MM | 3:1 | | | | molex .093/(2.36) HOUSINGS PLUG AND RECEPTACLE 6 CKT, .248/(6.30) CTRS. PRODUCT CUSTOMER DRAWING | | | | | |
| ∇ = 0 | GENERAL TOLERANCES (UNLESS SPECIFIED) | | | | | | | | | | |
| ∇ = 0 | 4 PLACES | ± | | MM | INCH | EC NO: 600557 | 2018/06/06 | DOCUMENT NUMBER | DOC TYPE | DOC PART | REVISION |
| ∇ = 0 | 3 PLACES | ± | 0.01 | | | DRWN: MKIPPER | 2018/06/20 | 19910600-SD | PSD | 000 | A |
| ∇ = 0 | 2 PLACES | ± | 0.25 | ± | 0.014 | CHK'D: MKIPPER | 2018/06/26 | SEE CHART | | | |
| ∇ = 0 | 1 PLACE | ± | 0.36 | | | APPR: FSMITH | | MATERIAL NUMBER | CUSTOMER | | SHEET NUMBER |
| ∇ = 0 | 0 PLACES | ± | | | | INITIAL REVISION: | 1988/02/25 | SEE CHART | | | 2 OF 3 |
| ∇ = 0 | ANGULAR TOL | ± | 1.0 ° | | | DRWN: JJS | 2014/06/10 | | | | |
| ∇ = 0 | DRAFT WHERE APPLICABLE MUST REMAIN WITHIN DIMENSIONS | | | | | APPR: FSMITH | | | | | |
| ∇ = 0 | | | | | | THIRD ANGLE PROJECTION | DRAWING | SERIES | | | |
| | | | | | | C-SIZE | 1991 | | | | |

| PLUG | | |
|------------|----------|------------------|
| PART NO. | ENG. NO. | PKG. INFORMATION |
| 19-09-2061 | 1991-6P | PK-1991-001 |
| 19-09-2062 | 1991-6P1 | PK-1991-001 |
| | | |

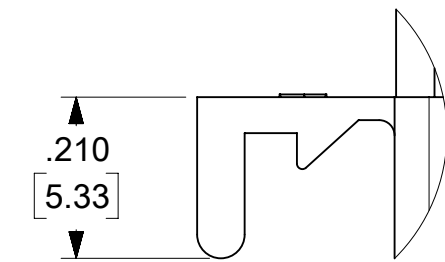
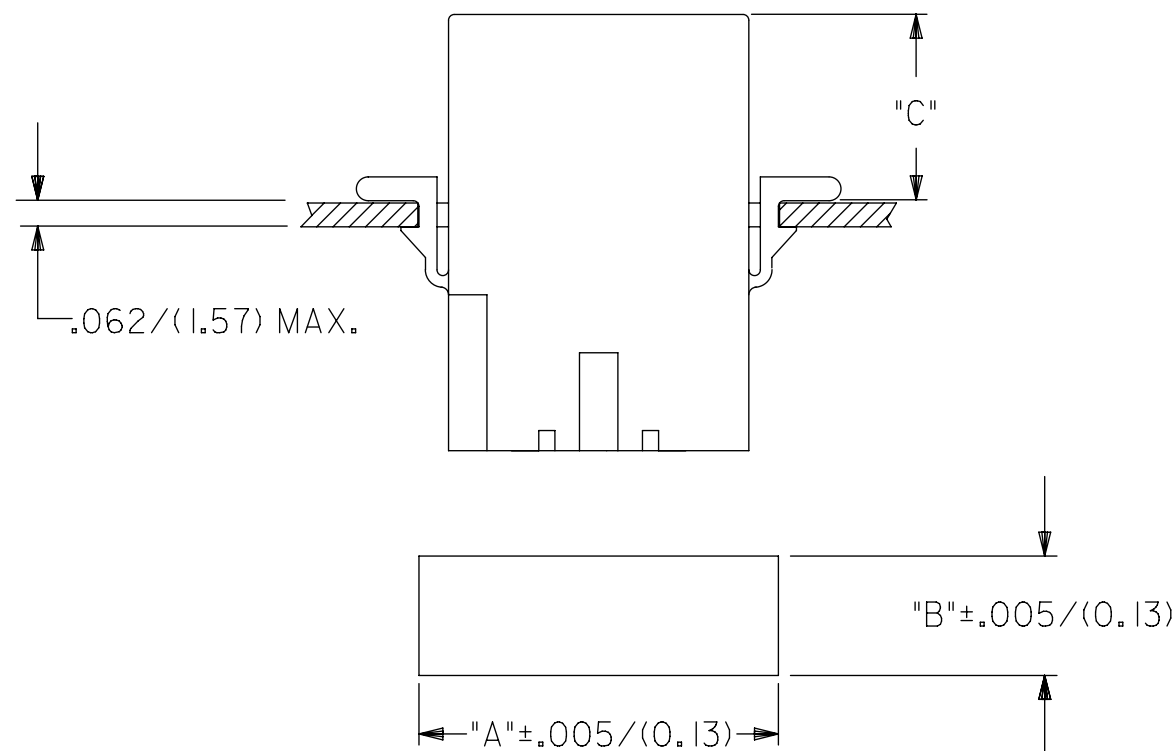
| RECEPTACLE | | |
|------------|----------|------------------|
| PART NO. | ENG. NO. | PKG. INFORMATION |
| 19-09-1062 | 1991-6R1 | PK-1991-002 |
| | | |
| | | |

LEGEND:

1991-6****
 CIRCUIT SIZE
 P = PLUG
 R = RECEPTACLE

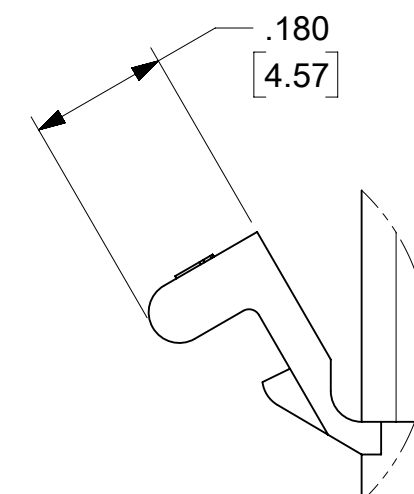
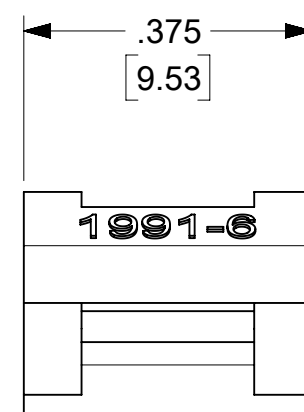
BLANK = WITH STANDARD EARS
 1 = WITHOUT EARS
 2 = WITH PREBENT EARS, PER DETAIL 2

COLOR: BLANK=NATURAL COLOR



DETAIL D
STANDARD MOUNTING EARS
SCALE 4:1

| HOUSING | DIM. "A" | DIM. "B" | DIM. "C" STD.EAR | DIM. "C" PREBENT |
|------------|---------------|--------------|------------------|------------------|
| PLUG | 1.048/(26.62) | .658/(16.71) | .51/(12.9) | .52/(13.2) |
| RECEPTACLE | .946/(24.03) | .608/(15.44) | .53/(13.5) | .54/(13.7) |



DETAIL E
PREBENT MOUNTING EARS
SCALE 4:1

NOTES:

1. MATERIAL - NYLON TYPE 6/6, UL 94V-2
2. FINISH: N/A
3. PRODUCT SPECIFICATION: PS-02-09
4. PACKAGING SPECIFICATION: SEE CHART
5. HOUSINGS FOR USE WITH MOLEX STD. .093/(2.36) TYPE TERMINALS.
6. PARTS CONFORM TO CLASS B REQUIREMENTS OF COSMETIC SPECIFICATION PS-45499-002.
7. TEXT ON PART IS FOR REFERENCE ONLY. TEXT AND TEXT LOCATION MAY VARY DEPENDING ON PART NUMBER AND/OR TOOLING.
8. THIS DRAWING REPLACES SD-1991-6*

| | | | | | | |
|--|---|----------|-------------------|--------------------------------|--|--|
| SYMBOLS DIMENSION UNITS: IN/MM SCALE: 3:1 GENERAL TOLERANCES (UNLESS SPECIFIED): 4 PLACES ± 3 PLACES ± 0.01 2 PLACES ± 0.25 ± 0.014 1 PLACE ± 0.36 ± 0 PLACES ± ANGULAR TOL ± 1.0 ° DRAFT WHERE APPLICABLE MUST REMAIN WITHIN DIMENSIONS THIRD ANGLE PROJECTION DRAWING SERIES: C-SIZE 1991 | THIS DRAWING CONTAINS INFORMATION THAT IS PROPRIETARY TO MOLEX ELECTRONIC TECHNOLOGIES, LLC AND SHOULD NOT BE USED WITHOUT WRITTEN PERMISSION | | | CURRENT REV DESC: REDRAW IN NX | | |
| | EC NO: 600557 | | | 2018/06/06 | | |
| | DRWN: MKIPPER | | | 2018/06/20 | | |
| | CHK'D: MKIPPER | | | 2018/06/26 | | |
| APPR: FSMITH | | | INITIAL REVISION: | | | |
| DRWN: JJS | | | 1988/02/25 | | | |
| APPR: FSMITH | | | 2014/06/10 | | | |
| DOCUMENT NUMBER | | DOC TYPE | DOC PART | REVISION | | |
| 19910600-SD | | PSD | 000 | A | | |
| MATERIAL NUMBER | | CUSTOMER | | SHEET NUMBER | | |
| SEE CHART | | | | 3 OF 3 | | |