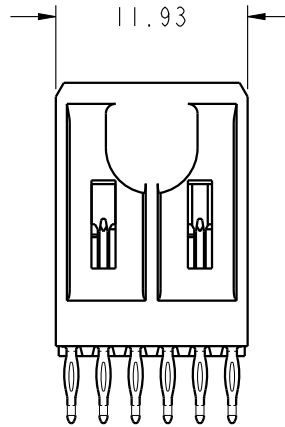
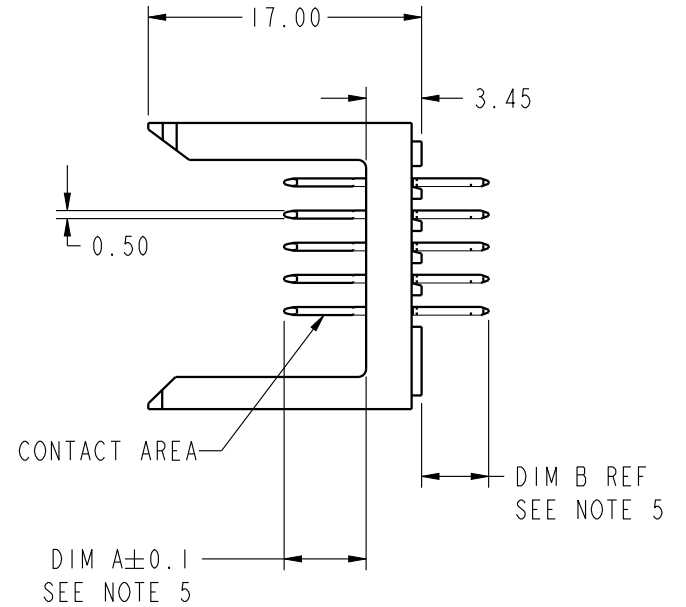
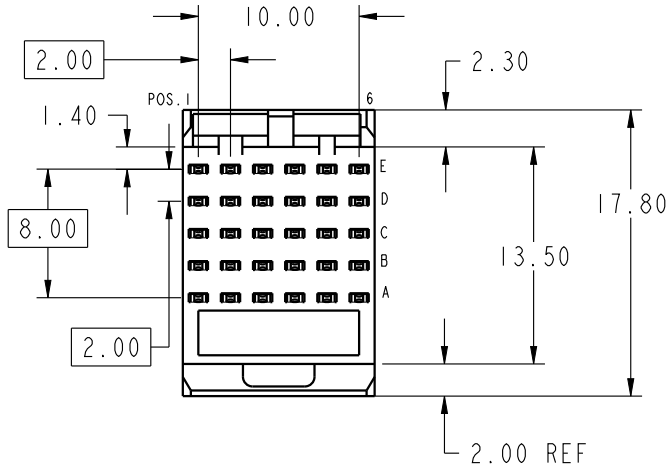


PRODUCT NUMBER

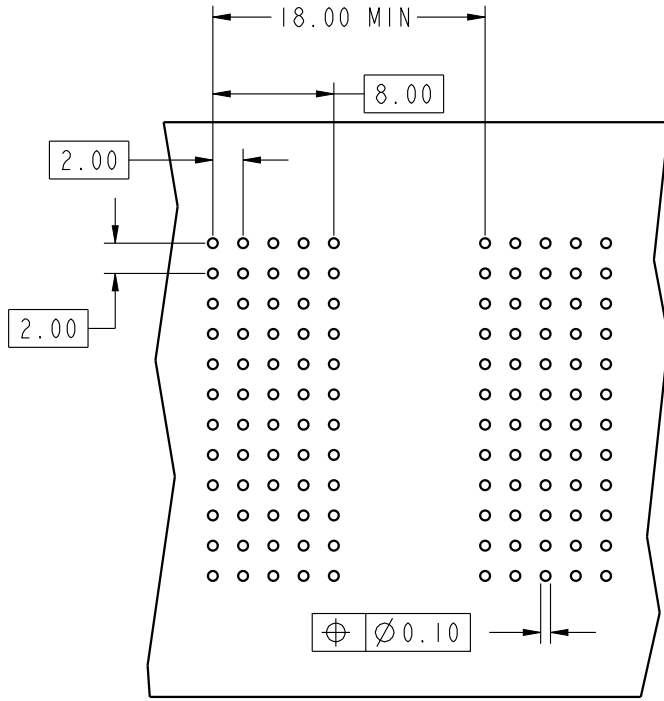
89006-XYX(L)LF

L REFER LUBRICATED (OPTIONAL)
SEE NOTE 2

X REFER PLATING PERFORMANCE
SEE NOTE 2



spec ref *		dr Terran Huang 2010/07/09		projection 	MM ←→	size A4	scale 2:1
tolerance std ISO 406 ISO 1101		eng Kantha, Aravin 2021/10/19				ecn no ELX-I-42635-1	
TOLERANCES UNLESS OTHERWISE SPECIFIED		chr -				rel level Released	
surface 3.200 linear		0.X ±0.3	appr Kuriakose, San 2021/10/19		product family METRAL		rev
ISO 1302		0.XX ±0.13	www.fci.com		METRAL SIGNAL HEADER		89006
angular 0°		0.XXX ±.050					
		±2°			sheet 1 of 10		BT



REQUIRED PC BOARD LAYOUT
COMPONENT SIDE
SEE PRINT 58351 FOR
ADDITIONAL PCB INFORMATION

KEY		
CODE	DIMENSIONS	
	DIM "A" MATE	DIM "B" TAIL
1	5.00	4.30
2	5.75	4.30
3	6.50	4.30
4	7.25	4.30
5	5.00	13.60
6	5.75	13.60
7	6.50	13.60
8	7.25	13.60
9	5.00	17.00
10	5.75	17.00
11	6.50	17.00
12	7.25	17.00
13	8.25	4.30
14	8.25	13.60
15	8.25	17.00
16	7.00	4.30
17	7.00	13.60
18	7.00	17.00
19	8.00	4.30
20	8.00	13.60
21	8.00	17.00
59	5.00	11.80

spec ref	*	dr	Terran Huang	2010/07/09	projection	MM	size	A4	scale	2:1			
tolerance std	TOLERANCES UNLESS OTHERWISE SPECIFIED	eng	Kartha, Aravin	2021/10/19			ecn no		ELX-I-42635-1				
ISO 406		chr	-	-			rel level		Released				
ISO 1101		appr	Kuriakose, San	2021/10/19	product family		METRAL						
surface	3.200 linear	Amphenol FCI		title		dwg no		89006		rev			
	0.X									±0.3	METRAL SIGNAL HEADER		BT
	0.XX									±0.13			
	0.XXX	±0.050											
ISO 1302	angular	0°	±2°	www.fci.com		cat. no.		-		Product - Customer Drw			
										sheet 2 of 10			

Creo F114:ELX-FCI:AC,REV F,2020-12-21

METRAL P/N	ROW	CONTACT CODE MOD. I						METRAL P/N	ROW	CONTACT CODE MOD. I						METRAL P/N	ROW	CONTACT CODE MOD. I						METRAL P/N	ROW	CONTACT CODE MOD. I						METRAL P/N	ROW	CONTACT CODE MOD. I							
		1	2	3	4	5	6			1	2	3	4	5	6			1	2	3	4	5	6			1	2	3	4	5	6			1	2	3	4	5	6		
89006-X10LF	E	1	1	1	1	1	89006-X14LF	E	4	4	4	4	4	89006-X19LF	E	4	4	4	4	4	89006-X23LF	E	8	8	8	8	8	89006-X27LF	E	6	6	6	6	6	89006-X32LF	E	12	12	12	12	12
	D	1	1	1	1	1		D	3	3	3	3	3		D	4	4	4	4	4		D	20	20	20	20	20		D	6	6	6	6	6		D	11	11	11	11	11
	C	1	1	1	1	1		C	4	4	4	4	4		C	4	4	4	4	4		C	8	8	8	8	8		C	6	6	6	6	6		C	11	11	11	11	11
	B	1	1	1	1	1		B	4	4	4	4	4		B	4	4	4	4	4		B	8	8	8	8	8		B	6	6	6	6	6		B	9	9	9	9	9
	A	1	1	1	1	1		A	4	4	4	4	4		A	4	4	4	4	4		A	8	8	8	8	8		A	20	20	20	20	20		A	9	9	9	9	9

spec ref	*	dr	Terran Huang	2010/07/09	projection	size	A4	scale	1:1					
tolerance std	TOLERANCES UNLESS OTHERWISE SPECIFIED	eng	Kartha, Aravin	2021/10/19			ecn no	ELX-I-42635-1						
ISO 406		chr	-	-				rel level	Released					
ISO 1101		appr	Kuriakose, San	2021/10/19	product family	METRAL		rev						
surface	3.200 ✓				METRAL SIGNAL HEADER 1 MOD, 5 ROW PRESS-FIT			dwg no	89006					
ISO 1302	angular							0°	±2°	www.fci.com	cat. no.	-	Product - Customer Drw	sheet 3 of 10
	linear							0.X	±0.3					
			0.XX	±0.13										
			0.XXX	±.050										

METRAL P/N	ROW	CONTACT CODE MOD. I						METRAL P/N	ROW	CONTACT CODE MOD. I						METRAL P/N	ROW	CONTACT CODE MOD. I						METRAL P/N	ROW	CONTACT CODE MOD. I						METRAL P/N	ROW	CONTACT CODE MOD. I							
		1	2	3	4	5	6			1	2	3	4	5	6			1	2	3	4	5	6			1	2	3	4	5	6			1	2	3	4	5	6		
89006-X36LF	E	10	10	10	10	10	89006-X41LF	E	2	2	2	2	2	89006-X45LF	E	1	1	1	1	1	89006-X49LF	E	4	4	4	4	4	89006-X53LF	E	6	6	6	6	6	89006-X57LF	E	6	6	6	6	6
	D	10	10	10	10	10		D	1	1	1	1	1		D	19	19	19	19	19		D	3	3	3	3	3		D	6	6	6	6	6		D	7	7	7	7	7
	C	10	10	10	10	10		C	2	2	2	2	2		C	1	1	1	1	1		C	3	3	3	3	3		C	6	6	6	6	6		C	6	6	6	6	6
	B	10	10	10	10	10		B	2	2	2	2	2		B	19	19	19	19	19		B	3	3	3	3	3		B	6	6	6	6	6		B	6	6	6	6	6
	A	10	10	10	10	10		A	3	3	3	3	3		A	1	1	1	1	1		A	19	19	19	19	19		A	8	8	8	8	8		A	7	7	7	7	7

spec ref	*	dr	Terran Huang	2010/07/09	projection		size	A4	scale	1:1
tolerance std	TOLERANCES UNLESS OTHERWISE SPECIFIED ISO 406 ISO 1101	eng	Kartha, Aravin	2021/10/19			MM 	ecn no	ELX-I-42635-1	
surface		3.200 ✓	chr	-				-	product family	METRAL
		appr	Kuriakose, San	2021/10/19			rev	89006		BT
							www.fci.com	METRAL SIGNAL HEADER I MOD, 5 ROW PRESS-FIT		
							cat. no.	-		Product - Customer Drw
								sheet 4 of 10		

METRAL P/N	ROW	CONTACT CODE MOD. I						METRAL P/N	ROW	CONTACT CODE MOD. I						METRAL P/N	ROW	CONTACT CODE MOD. I						METRAL P/N	ROW	CONTACT CODE MOD. I						METRAL P/N	ROW	CONTACT CODE MOD. I													
		1	2	3	4	5	6			1	2	3	4	5	6			1	2	3	4	5	6			1	2	3	4	5	6			1	2	3	4	5	6	1	2	3	4	5	6		
89006-X61LF	E	10	10	10	10	10	10	89006-X65LF	E	9	9	9	9	9	9	89006-X69LF	E	12	12	12	12	12	12	89006-X73LF	E	4	4	4	4	4	4	89006-X77LF	E	3	3	3	3	3	3	89006-X81LF	E	7	7	7	7	7	7
	D	9	9	9	9	9	9		D	21	21	21	21	21	D		11	11	11	11	11	11	D		4	4	4	4	4	4	D		19	19	19	19	19	D	20		20	20	20	20			
	C	10	10	10	10	10	10		C	9	9	9	9	9	C		11	11	11	11	11	11	C		4	4	4	4	4	4	C		4	4	4	4	4	4	C		7	7	7	7	7	7	
	B	10	10	10	10	10	10		B	21	21	21	21	21	B		11	11	11	11	11	11	B		4	4	4	4	4	4	B		3	3	3	3	3	3	B		20	20	20	20	20	20	
	A	11	11	11	11	11	11		A	9	9	9	9	9	A		21	21	21	21	21	21	A		13	13	13	13	13	13	A		3	3	3	3	3	3	A		7	7	7	7	7	7	

spec ref *		dr	Terran Huang	2010/07/09			size	A4	scale	1:1		
tolerance std ISO 406 ISO 1101		TOLERANCES UNLESS OTHERWISE SPECIFIED					eng	Kartha, Aravin	2021/10/19	ecn no		ELX-I-42635-1
							chr	-	-	rel level		Released
surface 3.200 ✓ ISO 1302		0.X		±0.3	Amphenol FCI METRAL SIGNAL HEADER 1 MOD, 5 ROW PRESS-FIT			product family		METRAL		
		0.XX		±0.13				rel level		Released		
angular		0°		±2°	www.fci.com			product family		METRAL		
		0°		±2°				rel level		Released		
surface 3.200 ✓ ISO 1302		0.XXX		±0.050	www.fci.com			product family		METRAL		
angular		0°		±2°				rel level		Released		
surface 3.200 ✓ ISO 1302		0°		±2°	www.fci.com			product family		METRAL		
angular		0°		±2°				rel level		Released		

METRAL P/N	ROW	CONTACT CODE MOD. I					
		1	2	3	4	5	6
89006-X85LF	E	7	7	7	7	7	7
	D	7	7	7	7	7	7
	C	6	6	6	6	6	6
	B	7	7	7	7	7	7
	A	7	7	7	7	7	7

spec ref *		dr Terran Huang	2010/07/09	projection		size A4	scale 1:1
tolerance std ISO 406 ISO 1101		eng Kartha, Aravin	2021/10/19	chr -		← MM →	ecn no ELX-I-42635-1
TOLERANCES UNLESS OTHERWISE SPECIFIED		appr Kuriakose, San	2021/10/19	product family METRAL		rel level Released	
		surface 3.200 ✓ ISO 1302		Amphenol FCI METRAL SIGNAL HEADER 1 MOD, 5 ROW PRESS-FIT www.fci.com		rel level Released	
linear	0.X	±0.3	cat. no. - Product - Customer Drw			rel level Released	
	0.XX	±0.13			sheet 6 of 10		rel level Released
	0.XXX	±.050	rev BT				rel level Released
angular	0°	±2°			Product - Customer Drw		rel level Released
				sheet 6 of 10			

METRAL P/N	ROW	CONTACT CODE MOD. I					METRAL P/N	ROW	CONTACT CODE MOD. I					METRAL P/N	ROW	CONTACT CODE MOD. I					METRAL P/N	ROW	CONTACT CODE MOD. I					METRAL P/N	ROW	CONTACT CODE MOD. I											
		1	2	3	4	5			6	1	2	3	4			5	6	1	2	3			4	5	6	1	2			3	4	5	6	1	2	3	4	5	6		
89006-X109LF	E	59	59	59	59	59	89006-X113LF	E	6	6	6	6	5	89006-X117LF	E	6	6	6	6	6	89006-X121LF	E	8	6	6	6	6	89006-X125LF	E	6	6	6	6	6	89006-X129LF	E	2	2	2	2	4
	D	59	59	59	59	59		D	6	6	6	6	6		D	8	6	6	6	6		D	6	6	6	6	6		D	2	2	2	2	4							
	C	59	59	59	59	59		C	6	6	6	6	6		C	6	6	6	6	6		C	20	20	20	20	20		C	2	2	2	2	4							
	B	59	59	59	59	59		B	6	6	6	6	6		B	6	8	6	6	6		B	6	6	6	6	6		B	2	2	2	2	4							
	A	7	7	7	7	7		A	6	6	6	6	6		A	6	8	6	6	6		A	6	6	6	6	6		A	2	2	2	2	2							

spec ref *		dr Terran Huang		2010/07/09		projection		size A4		scale 1:1							
tolerance std ISO 406 ISO 1101		TOLERANCES UNLESS OTHERWISE SPECIFIED		eng Kartha, Aravin		2021/10/19		<div style="display: inline-block; text-align: center; margin: 0 10px;"> MM </div>		ecn no ELX-I-42635-1							
surface 3.200 ✓		<table border="0" style="font-size: small;"> <tr> <td>0.X</td><td>±0.3</td> </tr> <tr> <td>0.XX</td><td>±0.13</td> </tr> <tr> <td>0.XXX</td><td>±.050</td> </tr> </table>		0.X	±0.3	0.XX	±0.13			0.XXX	±.050	chr -		-		product family METRAL	
0.X	±0.3																
0.XX	±0.13																
0.XXX	±.050																
ISO 1302		angular 0°		<div style="display: flex; align-items: center;"> <div style="margin-left: 5px;"> Amphenol FCI METRAL SIGNAL HEADER 1 MOD, 5 ROW PRESS-FIT </div> </div>		www.fci.com		cat. no. -		product family METRAL dwg no 89006 rev BT		sheet 7 of 10					

Creo F114:ELX-FCI:AC,REV F, 2020-12-21

METRAL P/N	ROW	CONTACT CODE MOD. I						METRAL P/N	ROW	CONTACT CODE MOD. I						METRAL P/N	ROW	CONTACT CODE MOD. I						METRAL P/N	ROW	CONTACT CODE MOD. I						METRAL P/N	ROW	CONTACT CODE MOD. I																										
		1	2	3	4	5	6			1	2	3	4	5	6			1	2	3	4	5	6			1	2	3	4	5	6			1	2	3	4	5	6	1	2	3	4	5	6															
89006-X133LF	E	2	2	2	2	2	89006-X137LF	E	2	2	2	3	3	2	89006-X141LF	E	1	1	1	1	3	3	89006-X145LF	E	5	5	1	1	7	5	89006-X149LF	E	2	2	2	2	2	1	89006-X153LF	E	2	2	2	2	2	2														
	D	2	2	2	2	2		D	2	2	2	3	3	2		D	1	1	1	1	3	3		D	5	5	1	1	7	5		D	2	2	2	2	2	2		D	2	2	2	2	2	2														
	C	2	2	2	2	2		C	2	2	2	3	3	2		C	3	3	3	3	3	3		C	5	5	1	1	7	7		C	2	2	2	2	2	2		C	2	2	2	2	2	2	C	2	2	2	2	2	2							
	B	2	2	2	2	2		B	2	2	2	3	3	2		B	1	1	1	1	3	1		B	5	5	1	1	7	5		B	2	2	2	2	2	2		B	2	2	2	2	2	2	B	2	2	2	2	2	2	B	2	2	2	2	2	2
	A	2	2	1	2	2		2	A	2	2	2	3	3		2	A	1	1	1	1	3		1	A	5	5	1	1	7		5	A	2	2	2	2	2		2	A	2	2	2	2	2	2	A	4	2	2	2	2	2						

spec ref	*	dr	Terran Huang	2010/07/09	projection	size	A4	scale	1:1	
tolerance std	ISO 406 ISO 1101	eng	Kartha, Aravin	2021/10/19		MM		ecn no	ELX-I-42635-1	
surface	3.200 ✓ ISO 1302	chr	-	-				product family	METRAL	rel level
	0.X ±0.3 0.XX ±0.13 0.XXX ±0.050	appr	Kuriakose, San	2021/10/19	METRAL SIGNAL HEADER		dwg no	89006	rev	BT
	angular 0° ±2°	www.fci.com		cat. no.	-	Product - Customer Drw		sheet 8 of 10		

Creo F114:ELX-MC-AAC,REV F,2020-12-21

METRAL P/N	ROW	CONTACT CODE MOD. I					
		1	2	3	4	5	6
89006-X157LF	E	2	2	2	2	2	19
	D	2	2	2	2	2	19
	C	2	2	2	2	2	19
	B	2	2	2	2	2	19
	A	2	2	1	2	2	19

METRAL P/N	ROW	CONTACT CODE MOD. I					
		1	2	3	4	5	6
89006-X161LF	E	3	3	4	4	4	4
	D	3	3	3	4	4	4
	C	3	3	3	4	4	4
	B	3	3	3	4	4	4
	A	3	3	3	4	4	4

METRAL P/N	ROW	CONTACT CODE MOD. I					
		1	2	3	4	5	6
89006-X158LF	E	19	2	19	2	19	19
	D	19	2	19	2	19	19
	C	19	2	19	2	19	19
	B	19	2	19	2	19	19
	A	19	2	19	2	19	19

METRAL P/N	ROW	CONTACT CODE MOD. I					
		1	2	3	4	5	6
89006-X159LF	E	2	2	2	2	4	19
	D	2	2	2	2	2	19
	C	2	2	2	2	2	19
	B	2	2	2	2	2	19
	A	2	2	1	2	2	19

METRAL P/N	ROW	CONTACT CODE MOD. I					
		1	2	3	4	5	6
89006-X160LF	E	2	2	2	2	2	1
	D	2	2	2	2	2	2
	C	4	4	4	4	4	4
	B	2	2	2	2	2	2
	A	2	2	2	2	2	2

spec ref	*	dr	Terran Huang	2010/07/09	projection		size	A4	scale	1:1	
tolerance std	TOLERANCES UNLESS OTHERWISE SPECIFIED	eng	Kartha, Aravin	2021/10/19				ecn no	ELX-I-42635-1		
ISO 406 ISO 1101		chr	-	-				product family	METRAL	rel level	Released
surface	3.200	appr	Kuriakose, San	2021/10/19			product family	METRAL	rel level	Released	
ISO 1302	linear	0.X	±0.3				product family	METRAL	rel level	Released	
	0.XX	±0.13					product family	METRAL	rel level	Released	
	0.XXX	±.050					product family	METRAL	rel level	Released	
	angular	0°	±2°	www.fci.com			product family	METRAL	rel level	Released	
surface		3.200	linear	0.X	±0.3			product family	METRAL	rel level	Released
surface		3.200	linear	0.XX	±0.13			product family	METRAL	rel level	Released
surface		3.200	linear	0.XXX	±.050			product family	METRAL	rel level	Released
surface		3.200	angular	0°	±2°			product family	METRAL	rel level	Released
surface		3.200	angular	0°	±2°			product family	METRAL	rel level	Released

Creo F110;ELX-MC;AAC;REV F; 2020-12-21

PRODUCT NUMBER

SEE SHEET 1

NOTES:

1. MATERIAL : BODY : LCP UL94-V0
: CONTACT : COPPER ALLOY.
2. FOR PLATING PERFORMANCE REFER DRAWING # 10159408
3. ALL PRODUCTS WITH PART NUMBERS SHOWN IN SUBSEQUENT TABLES WILL BE PACKAGED IN TUBES. IF TRAY PACKAGING IS REQUIRED, A SUFFIX "P" WILL BE ADDED TO THE END OF THE PART NUMBER. EXAMPLE: XXXXX-XXXXP
4. PRODUCT SPECIFICATION GS-12-180
APPLICATION SPECIFICATION BUS-20-073
5. AFTER INSERTION INTO CIRCUIT BOARD WITH QUALIFIED TOOL.
6. THE PRODUCTS WHERE THE PART NUMBER ENDS IN LF MEET THE EUROPEAN UNION DIRECTIVES AND OTHER COUNTRY REGULATIONS AS DESCRIBED IN GS-47-0004.

ALL PRODUCTS WILL WITHSTAND EXPOSURE TO 260°C FOR 60 SECONDS IN A CONVECTION, INFRA-RED OR VAPOR PHASE REFLOW OVEN. Au CONTACT SURFACE OF THE CONTACTS SHALL BE EXPOSED TO A MAXIMUM 140°C FOR NO LONGER THAN 15 SECONDS IN A WAVE SOLDER APPLICATION.

7. A Δ SYMBOL WILL BE NEXT TO ANY DIMENSION, VIEW, OR NOTE WHICH HAS BEEN MODIFIED WITH THE CURRENT DRAWING REVISION.

spec ref *		dr	Terran Huang	2010/07/09	projection 	MM 	size	A4	scale	1:1			
tolerance std		eng	Kartha, Aravin	2021/10/19			ecn no	ELX-I-42635-1					
ISO 406 ISO 1101		chr	-	-			rel level	Released					
surface 3.200		TOLERANCES UNLESS OTHERWISE SPECIFIED	appr	Kuriakose, San	2021/10/19	product family	METRAL		rev				
ISO 1302	linear		0.X	±0.3	Amphenol FCI	title	METRAL SIGNAL HEADER			dwg no	89006	rev	BT
			0.XX	±0.13			1 MOD, 5 ROW PRESS-FIT						
	angular	0°	±2°	cat. no.			-	Product - Customer Drw					