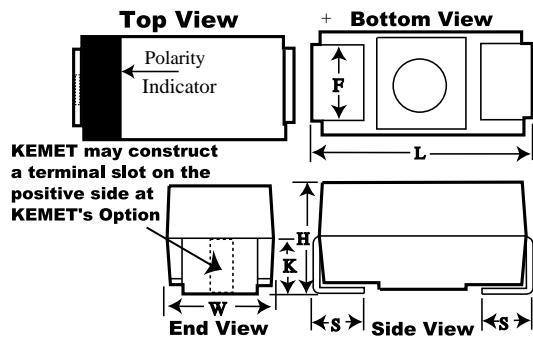


KEMET Part Number: B45196L6474M209 **Obsolete**
(T495B474M035ZTA11K)

B45196L, Tantalum, MnO2 Tantalum, 0.47 uF, 20%, 35 V, SMD, Molded, Automotive, 11 Ohms, 3528, Height Max = 2.1mm



Dimensions	
Footprint	3528
L	3.5mm +/-0.2mm
W	2.8mm +/-0.2mm
H	1.9mm +/-0.2mm
S	0.7mm +/-0.3mm
F	2.2mm +/-0.1mm
K	1.4mm TYP

Packaging Specifications	
Packaging:	T&R, 178mm
Packaging Quantity:	2000

General Information	
Supplier:	KEMET
Series:	B45196L
Dielectric:	MnO2 Tantalum
Style:	SMD Chip
Description:	SMD, Molded, Automotive
Features:	Automotive
RoHS:	Yes
Termination:	Tin
Qualifications:	AEC-Q200
AEC-Q200:	Yes
Miscellaneous:	AEC-Q200
Notes:	Obsolete

Specifications	
Capacitance:	0.47 uF
Capacitance Tolerance:	20%
Voltage DC:	35 VDC (85C), 23.45 VDC (125C)
Temperature Range:	-55/+125C
Rated Temperature:	85C
Dissipation Factor:	4%
Failure Rate:	N/A
Resistance:	11 Ohms (100kHz)
Current:	97.2 mAmps (25C), 87.5 mAmps (85C), 38.9 mAmps (125C)
Leakage Current:	0.5 uA