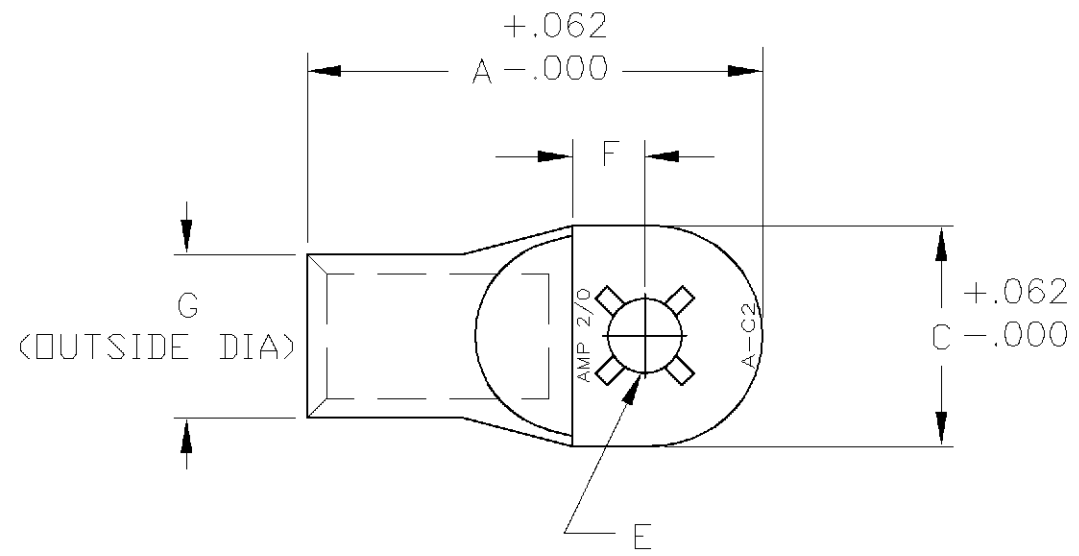
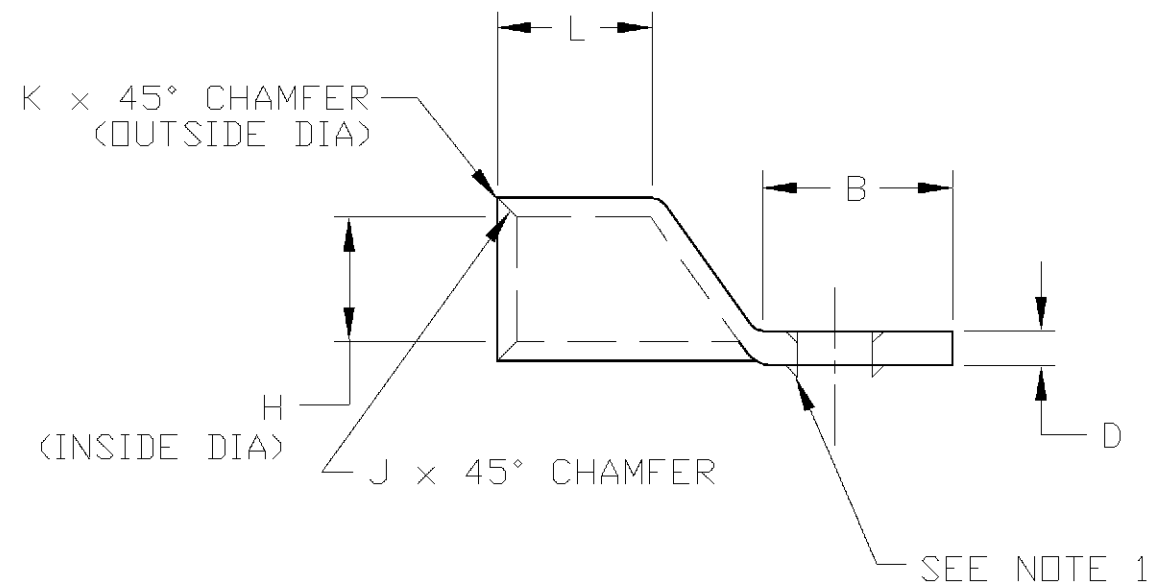


THIS DRAWING IS UNPUBLISHED. RELEASED FOR PUBLICATION .19
 © COPYRIGHT 19 BY AMP INCORPORATED. ALL RIGHTS RESERVED.

LOC	DIST	REVISIONS				
P	LTR	DESCRIPTION	DATE	DWN	APVD	
AA	27	F	REDWN & REV; OG1Z-0010-99	12MAY00	LMH/LHS	



1. LOCKING LANCE FOR P/N -1 ONLY



.375	.850	.016	.031	.490	.650	.565	∅.39	.170	.925	1.080	2.25	606296-3
.500	.850	.016	.031	.490	.650	.565	∅.515	.170	.925	1.080	2.25	606296-2
.375	.850	.016	.031	.490	.650	.565	∅.39	.170	.925	1.080	2.25	606296-1
BOLT HOLE SIZE	L	K	J	H	G	F	E	D	C	B	A	PART NUMBER

DIMENSIONS, INCHES

THIS DRAWING IS A CONTROLLED DOCUMENT.		DWN	18APR00	<p>AMP Incorporated Harrisburg, PA 17105-3608</p> <p>OBSELETE NOT the LATEST REVISION</p>
		CHK	12MAY00	
		APVD	12MAY00	
		NAME	B. ANTHONY	
DIMENSIONS: INCHES	TOLERANCES UNLESS OTHERWISE SPECIFIED:	PRODUCT SPEC		AMP TUBULAR TERMINAL 2/0 (ROUND TONGUE)
		APPLICATION SPEC		SIZE
		WEIGHT		CAGE CODE
		CUSTOMER DRAWING		DRAWING NO
		SCALE		RESTRICTED TO
		SHEET		REV
		OF		
		1		
		NTS		
		F		