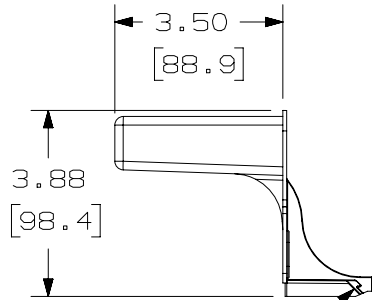
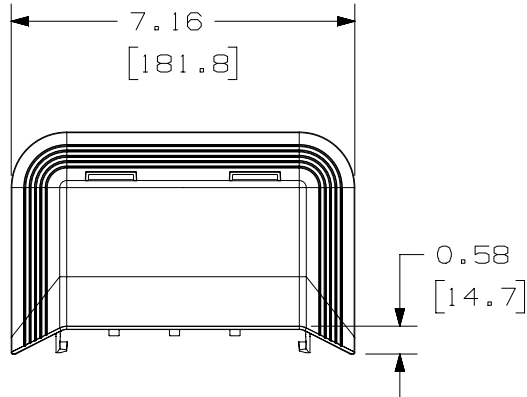
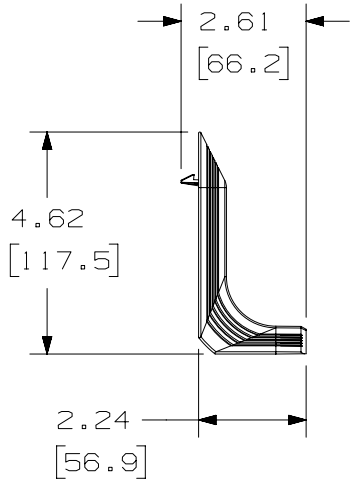


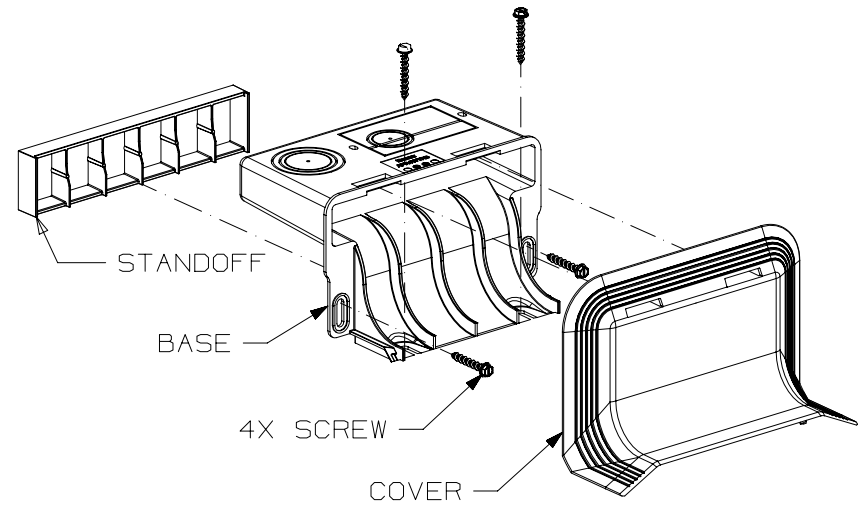
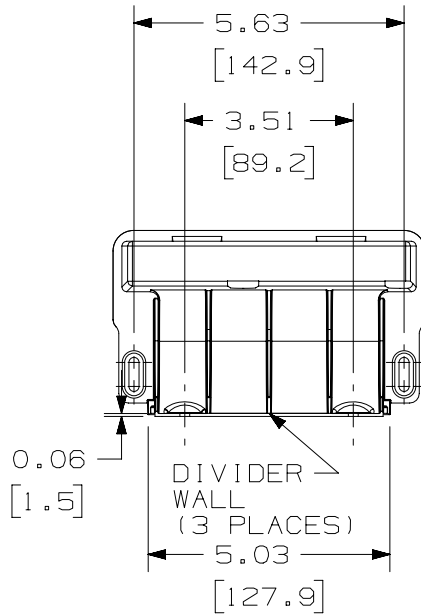
THIS COPY IS PROVIDED ON A RESTRICTED BASIS AND IS NOT TO BE USED IN ANY WAY DETRIMENTAL TO THE INTERESTS OF PANDUIT CORP.

NOTES:

- VISIT OUR ON-LINE CATALOG AT WWW.PANDUIT.COM FOR A LIST OF CURRENT PARTS APPLICABLE FOR USE WITH THIS PRODUCT.
- DIMENSIONS IN [] ARE METRIC.
- WEIGHT: 0.75-lb (0.34-kg)
- PART INCLUDES:
 - 1- ABOVE FLOOR RACEWAY 4-CHANNEL WALL TRANSITION BASE
 - 1- ABOVE FLOOR RACEWAY 4-CHANNEL WALL TRANSITION COVER
 - 1- ABOVE FLOOR RACEWAY 4-CHANNEL WALL TRANSITION STANDOFF
 - 4- 3/16" X 1-1/4" HEX WASHER HEAD CONCRETE SCREW
- RoHS COMPLIANT, UL 94V-0 MATERIAL
- THIS PRODUCT IS INTENDED TO BE USED WITH PANDUIT TYPE AFR4 RACEWAY



LOCKING TAB AREA (2 PLACES)



**	COLOR
IW	OFF-WHITE
BL	BLACK
OS	OFFICE SLATE

PART NUMBER		AFR4WTR**		
TITLE		ABOVE FLOOR RACEWAY 4-CHANNEL WALL TRANSITION FITTING		
		CUSTOMER DRAWING		
ITEM REVISION NAME		00234EAA/00		
DATASET FILE NAME		00234EAA_DC/00A		
MATERIAL		PVC		
DRAWING NUMBER		00234EAA-DC		
THIRD ANGLE PROJECTION				
REV	DATE	BY	CHK	APR
00A	12-28-18	ROJC	BSN	MINO
DESCRIPTION		RELEASED TO PRODUCTION		
ECN	00234EAA-DC			
ROJC	12-28-18	BSN	NONE	A
SHEET 1 OF 1				

A-SIZE CUSTOMER

2

1

2

1