



## GS2100M Low Power High Speed 802.11b/g/n Module

*Smart Energy, Cost and Size Optimized*



The GS2100M is a small foot print module that provides a quick, easy, and cost effective way for manufacturers to add Wi-Fi connectivity to their products. Intended for smart energy and sensor applications, the module has 3 high bit-rate sigma-delta ADCs for high resolution sensor and measurement devices.

This module provides a low cost, high speed serial to Wi-Fi connection to an embedded design built on an 8/16/32-bit microcontroller, through an SDIO, SPI or UART interface.

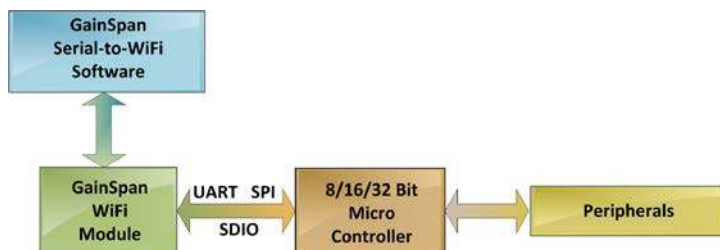
The GS2100M is an ideal solution for organizations with limited Wi-Fi or RF expertise or for those seeking faster time to market, as it reduces RF design time and removes the burden of testing and certification. The module is IEEE 802.11b/g/n compliant, and meets worldwide regulatory and Wi-Fi Alliance certification requirements.

The module runs the full Wi-Fi and TCP/IP networking stacks, completely offloading the host microcontroller. It supports a complete suite of security protocols, also without tasking the host microcontroller, including WPA/WPA2-Enterprise and Personal security modes, legacy WEP encryption, and upper layer security protocols such as TLS/SSL and HTTPS. Alternatively, it can be run self-contained without a host.

For ease of provisioning, the module can be set up simply and easily from a smartphone or laptop through the innovative Limited AP mode or with Wi-Fi Protected Setup (WPS).

The module is single sided with castellation on the edges for the I/O connections for soldering down on the product's baseboard.

It is available with an u.FL connector to add an external antenna for max performance or a PCB antenna for convenience while saving space. It is US/Canada (FCC /IC), Europe (CE/ETSI, Japan (TELEC), and Wi-Fi certified.



**GS2100M System Block Diagram**

SKU	Antenna Option
GS2100MIE	External (u.FL)
GS2100MIP	PCB Antenna

**BENEFITS:**

- High resolution sensing and energy measurement
- Adds low power, high speed Wi-Fi and Internet connectivity to any device with a microcontroller and serial host interface
- Certified module reduces development time, testing and certification, accelerating time to market
- Full offload solution minimizes load on host processor
- Easy smartphone provisioning with Limited AP or Wi-Fi Protected Set-up (WPS)
- Low power consumption through dynamic power management modes
  - Standby, Deep Sleep, Sleep

**FEATURES:**

- Three 16-bit Sigma-Delta ADCs for sensors and measurement
- IEEE 802.11 b/g/n connectivity with PHY rates up to 72 Mbps
- Limited AP, Wi-Fi Direct capable with concurrent mode, WPS 2.0
- UART, SPI, SDIO interface to microcontroller
- 16 configurable I/O
- Interface clock rate: 40 MHz on SDIO, 30 MHz on SPI (master), 10 MHz on SPI (slave), and 921k baud on UART
- Extensive networking stack and services
- Security: 802.11i, WPA/2–Personal and Enterprise, legacy WEP, TLS

**MODULE HIGHLIGHTS:**

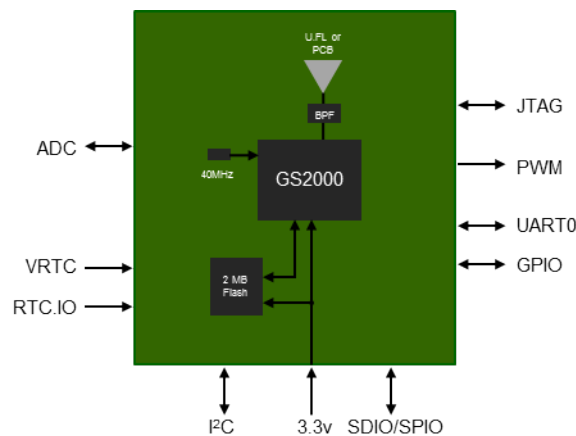
- Power Source
  - 3.3V main supply
  - 3.3V I/O
  - 1.6V to 3.6V Battery
- Certification: FCC, IC, CE/ETSI, TELEC, Wi-Fi
- I/O interfaces : SPI, UART, SDIO, I<sup>2</sup>C, I<sup>2</sup>S, GPIO, ADC, JTAG, PWM
- Industrial Grade

**GS2100M MODULE SPECIFICATIONS**

<b>Radio Protocol</b>	IEEE 802.11b/g/n
<b>Pin Count</b>	40 pins
<b>RF Output Power (Typical)</b>	+17 dBm (802.11b 1Mbps), +15dBm (802.11g 6Mbps), +14dBm (802.11n MCS0)
<b>Rx Sensitivity</b>	-91 dBm (802.11b 1Mbps), -88 dBm (802.11g 6Mbps), -88 dBm (802.11n MCS0)
<b>RF Operating Frequency</b>	2.4 - 2.495 GHz
<b>Supported Data Rates</b>	72, 65, 58, 43, 29, 22, 14, 7 Mbps (802.11n), 54, 48, 36, 24, 18, 12, 9, 6 Mbps (802.11g) 11, 5.5, 2, 1 Mbps (802.11b)
<b>Antenna Options</b>	External antenna (u.FL connector) or Internal PCB trace antenna
<b>Operating Temperature</b>	-40° to +85°C
<b>Security Protocols</b>	WPA/WPA2 - Personal, WPA/WPA2 - Enterprise (PEAP, EAP-FAST, EAP-TLS, EAP-TTLS), WEP, TLS/SSL Client and Server, HTTPS
<b>Networking Protocols</b>	TCP, UDP, IPv4, IPv6, TLS Client and Server, SNTP client, DHCP Client and Server v4, DHCP Client and Server v6, DNS Client and Server, mDNS, DNS-SD, HTTP Client and Server, and XML Parser
<b>Certifications and Compliance</b>	FCC, IC, TELEC, CE/ETSI, RoHS, Wi-Fi CERTIFIED
<b>I/O Interfaces</b>	SPI, UART, SDIO, I <sup>2</sup> C, I <sup>2</sup> S,GPIO (16), ADC, JTAG, PWM (3), RTC
<b>Host Connections</b>	SPI, UART, SDIO
<b>Internal Flash</b>	2 MB
<b>Outline Dimensions</b>	18 mm x 25 mm x 2.5 mm (shield)
<b>I/O Voltage</b>	3.3V
<b>Operating Voltage</b>	2.7-3.6V
<b>V<sub>BAT</sub></b>	1.6-3.6V

**TARGET APPLICATIONS**

The GainSpan GS2100M module is easily designed into embedded systems, allowing customers to develop a broad array of devices and appliances that connect to other local devices or the Internet over Wi-Fi. Applications include smart energy, healthcare and fitness, industrial controls, commercial building automation, and consumer electronics.



**GS2100M Block Diagram**