

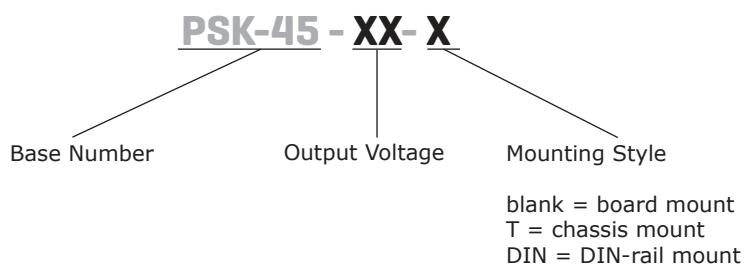
SERIES: PSK-45 | **DESCRIPTION:** INTERNAL AC-DC POWER SUPPLY

FEATURES

- universal input voltage range (85~264 VAC)
- IEC/EN/UL 62368 certified
- meets CISPR32/EN 55032 Class B without external components
- 4,000 VAC isolation rating
- short-circuit, over-current, over-voltage protections



MODEL	output voltage	output current max	output power max	ripple and noise max	efficiency
	(Vdc)	(A)	(W)	(mVp-p)	typ (%)
PSK-45-5	5	8.0	40	120	81
PSK-45-12	12	3.8	45	120	84
PSK-45-15	15	3.0	45	120	85
PSK-45-24	24	1.9	45	120	86
PSK-45-48	48	0.94	45	120	87

PART NUMBER KEY


INPUT

parameter	conditions/description	min	typ	max	units
voltage	ac input	85		264	Vac
	dc input	100		370	Vdc
frequency		47		63	Hz
current	at 115 Vac			1.5	A
	at 230 Vac			0.75	
inrush current	at 115 Vac		50		A
	at 230 Vac		70		
no load power consumption	at 230 Vac			0.5	W

OUTPUT

parameter	conditions/description	min	typ	max	units
capacitive load	5 Vdc output			30,000	μF
	12 Vdc output			6,400	
	15 Vdc output			5,600	
	24 Vdc output			2,000	
	48 Vdc output			600	
initial set point accuracy	at full load		±2		%
line regulation	rated load		±0.5		%
load regulation	0%~100% load		±1.0		%
hold-up time	at 115 Vac		8		ms
	at 230 Vac		50		
temperature coefficient			±0.02		%/°C

PROTECTIONS

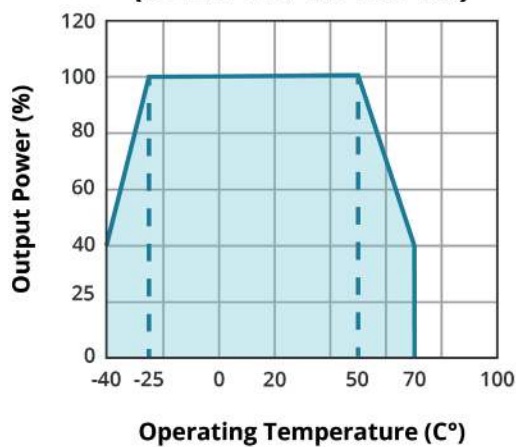
parameter	conditions/description	min	typ	max	units
over voltage protection	5 Vdc output, clamp or hiccup			9	V
	12 Vdc output, clamp or hiccup			16	
	15 Vdc output, clamp or hiccup			24	
	24 Vdc output, clamp or hiccup			35	
	48 Vdc output, clamp or hiccup			56	
over current protection	auto recovery	110			%
short circuit protection	hiccup, continuous, auto recovery				

SAFETY & COMPLIANCE

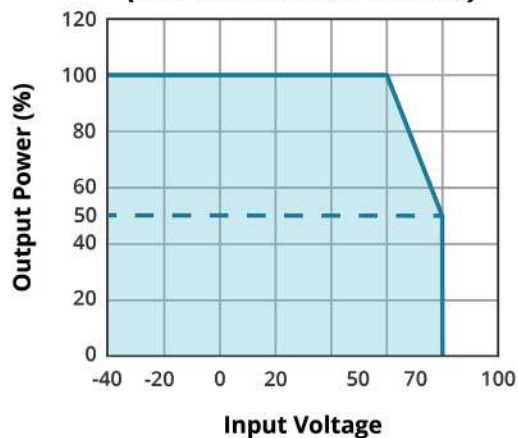
parameter	conditions/description	min	typ	max	units
isolation voltage	input to output	4,000			Vac
safety approvals	UL/cUL, EN, IEC 62368				
safety class	Class II				
EMI/EMC	CISPR 32/EN 55032 Class B				
ESD	IEC/EN 61000-4-2 Contact ±6KV/Air ±8KV, perf. Criteria B				
radiated immunity	IEC/EN 61000-4-3 10 V/m, perf. Criteria A				
EFT/burst	IEC/EN 61000-4-4 ±4KV, perf. Criteria B				
surge	IEC/EN 61000-4-5 line to line +/-2kV/line to ground +/-4kV (see recommended EMC circuit)				
	IEC/EN 61000-4-5 line to line +/-1kV perf. Criteria B				
conducted immunity	IEC/EN 61000-4-6 10 Vr.m.s, perf. Criteria A				
voltage dips and interruption	IEC/EN 61000-4-11 0%, 70%, perf. Criteria B				
MTBF	per MIL-HDBK-217F at 25 °C	300,000			hours
RoHS	yes				

DERATING CURVE

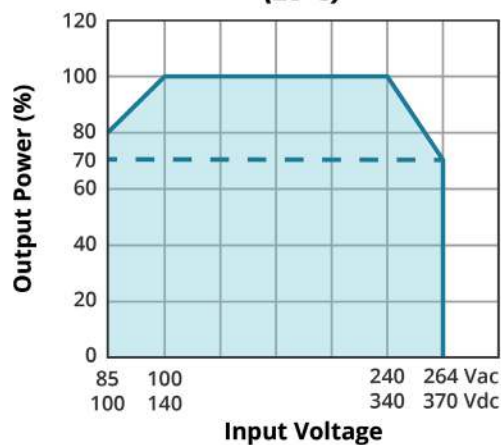
**TEMPERATURE DERATING CURVE
(85~220 Vac/100~280 Vdc)**



**TEMPERATURE DERATING CURVE
(220~264 Vac/280~370 Vdc)**

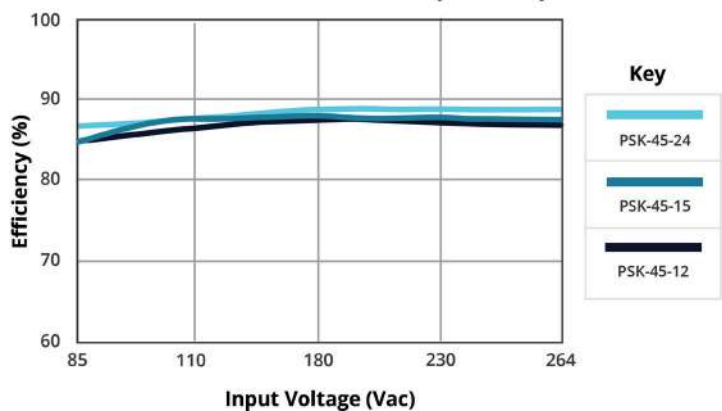


**INPUT VOLTAGE DERATING CURVE
(25°C)**

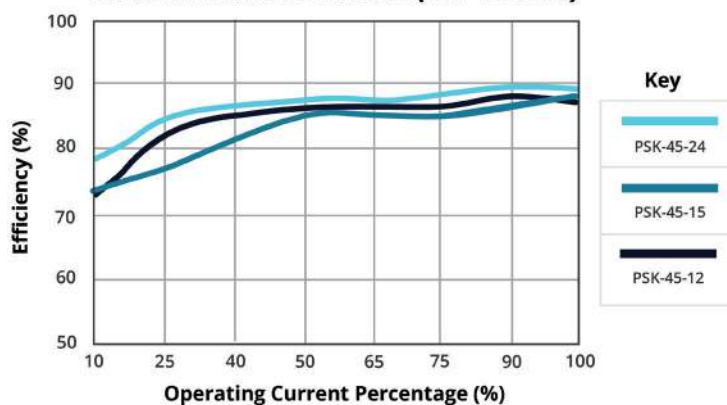


EFFICIENCY CURVES

EFFICIENCY VS INPUT VOLTAGE (Full load)



EFFICIENCY VS OUTPUT LOAD (Vin = 230 Vac)



ENVIRONMENTAL

parameter	conditions/description	min	typ	max	units
operating temperature		-40		70	°C
storage temperature		-40		85	°C
storage humidity		0		95	%

SOLDERABILITY

parameter	conditions/description	min	typ	max	units
wave soldering	5~10 seconds (± 5 °C)			260	°C
manual welding	3~5 seconds (± 10 °C)			360	°C

MECHANICAL

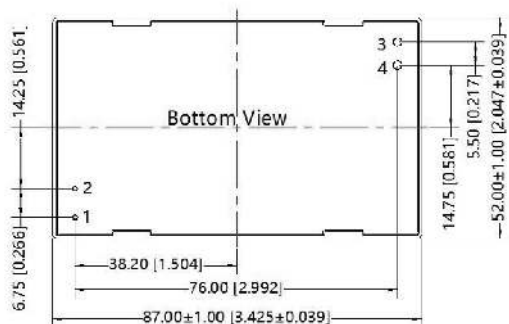
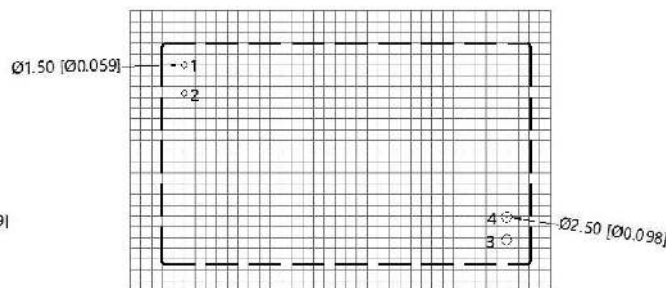
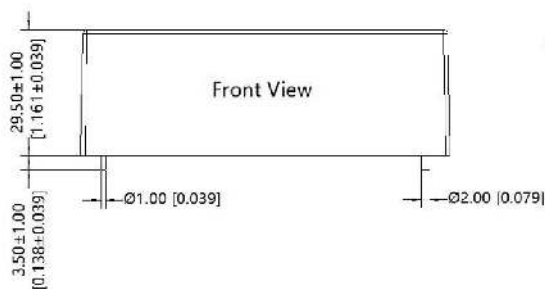
parameter	conditions/description	min	typ	max	units
dimensions	87.00 x 52.00 x 29.50 (board mount)				mm
	135.00 x 70.00 x 37.90 (chassis mount)				mm
	137.00 x 70.00 x 42.40 (DIN-rail)				mm
weight	board mount		205		g
	chassis mount		290		g
	DIN-rail		360		g
cooling	free air convection				
case material	black plastic, flame-retardant and heat-resistant (UL94V-0)				

MECHANICAL DRAWING (BOARD MOUNT)

units: mm [inch]

pin diameter tolerance: ± 0.1 [± 0.004]

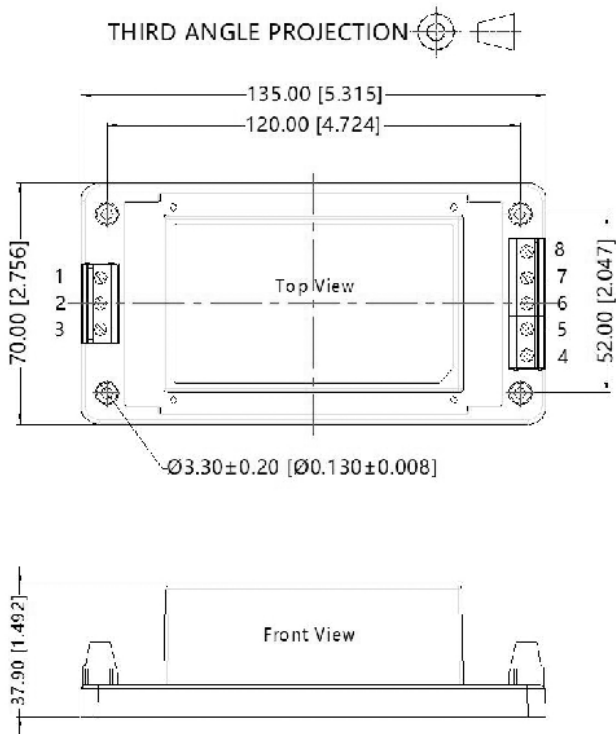
PIN CONNECTIONS	
PIN	Function
1	AC(L)
2	AC(N)
3	+Vo
4	-Vo



MECHANICAL DRAWING (CHASSIS MOUNT)

units: mm [inch]
 tolerance: ± 1.00 [± 0.040]
 wire range: 24 - 12 AWG
 tightening torque: 0.4 N·m

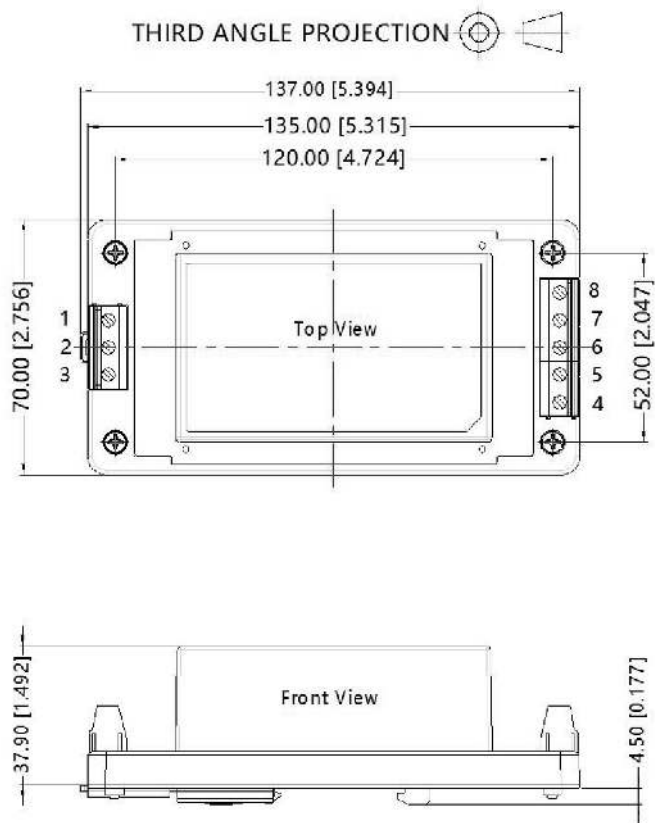
PIN CONNECTIONS	
PIN	Function
1	AC(L)
2	NC
3	AC(N)
4	+Vo
5	-Vo
6	NC
7	NC
8	NC



MECHANICAL DRAWING (DIN-RAIL MOUNT)

units: mm [inch]
 tolerance: ± 1.00 [± 0.040]
 wire range: 24 - 12 AWG
 tightening torque: 0.4 N·m
 installed on DIN-RAIL TS35

PIN CONNECTIONS	
PIN	Function
1	AC(L)
2	NC
3	AC(N)
4	+Vo
5	-Vo
6	NC
7	NC
8	NC



APPLICATION CIRCUIT

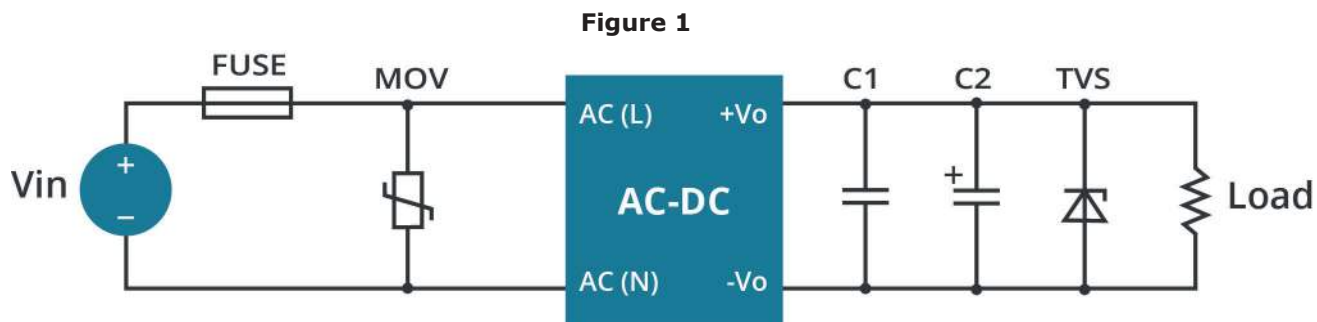


Table 1

Recommended External Circuit Components					
Part no.	C1	C2	FUSE	MOV	TVS
PSK-45-5	1 μ F	680 μ F	3.15A/250V, slow-blow	S14K350	SMBJ7.0A
PSK-45-12		220 μ F			SMBJ20A
PSK-45-15		220 μ F			SMBJ20A
PSK-45-24		120 μ F			SMBJ30A
PSK-45-48		100 μ F			SMBJ64A

EMC RECOMMENDED CIRCUIT

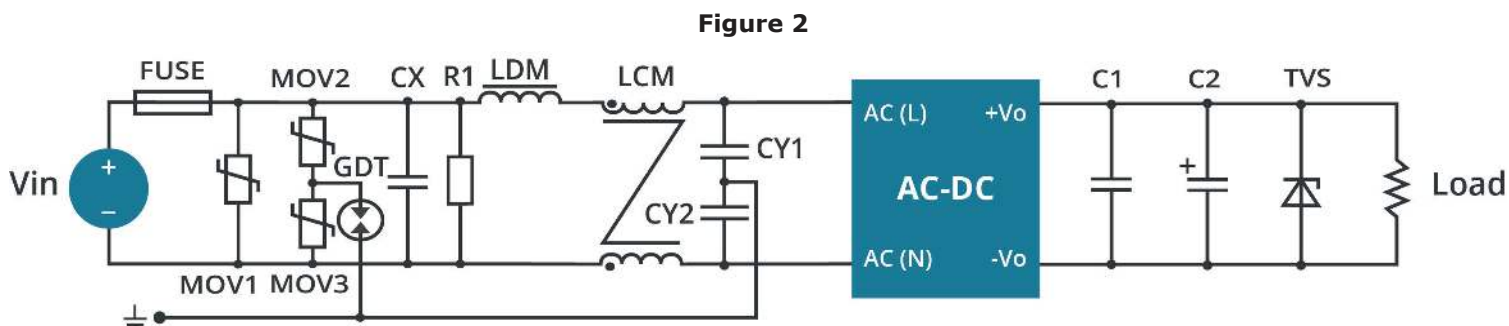


Table 2

Component	Reccomended value
FUSE	3.15A/250V, slow-blow, required
MOV1	S20K300
MOV2/MOV3	S10K300
GDT	EM3600XS
CX	0.22 μ F/ 275 Vac
CY1, CY2	1 nF / 400 Vac
R1	1 M Ω / 1 W
LDM	4.7 uH
LCM	2 mH

REVISION HISTORY

rev.	description	date
1.0	initial release	07/13/2020
1.01	figure and circuit drawings updated	03/25/2021
1.02	UKCA mark added	06/03/2022

The revision history provided is for informational purposes only and is believed to be accurate.



Headquarters
20050 SW 112th Ave.
Tualatin, OR 97062
800.275.4899

Fax 503.612.2383
cui.com
techsupport@cui.com

CUI offers a two (2) year limited warranty. Complete warranty information is listed on our website.

CUI reserves the right to make changes to the product at any time without notice. Information provided by CUI is believed to be accurate and reliable. However, no responsibility is assumed by CUI for its use, nor for any infringements of patents or other rights of third parties which may result from its use.

CUI products are not authorized or warranted for use as critical components in equipment that requires an extremely high level of reliability. A critical component is any component of a life support device or system whose failure to perform can be reasonably expected to cause the failure of the life support device or system, or to affect its safety or effectiveness.