

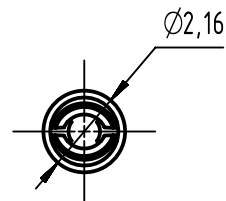
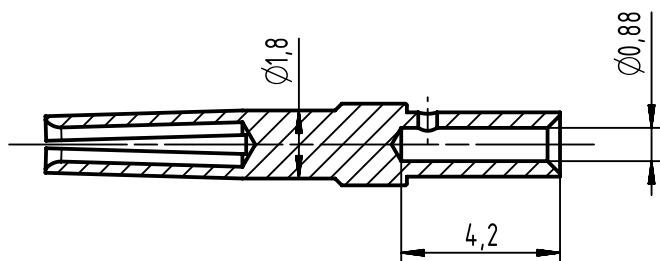
A

B

C

D

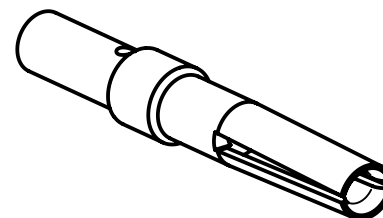
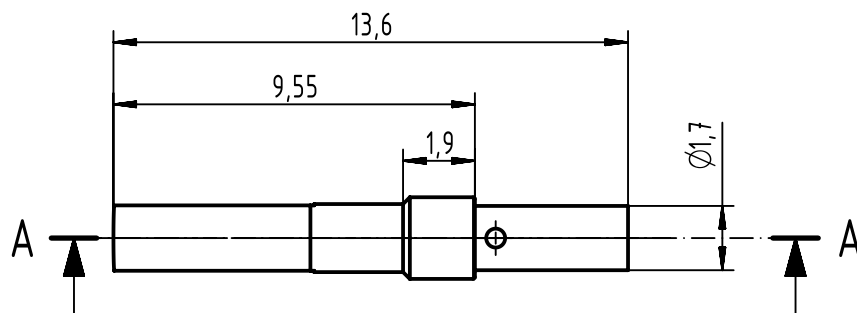
A-A

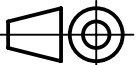



Crimping of AWG 22-26

Hand tool: 09 99 000 0501

Locator: 09 99 000 0531



 All Dimensions in mm Original Size DIN A4			Scale 5:1	Free size tol.		Ref.
 All rights reserved Department EC PD - CN			Created by ZENGD	Inspected by LUOK	Standardisation HOFFMANN	Date 2015-06-16
HARTING Electronics GmbH D-32339 Espelkamp			Title D-Sub,FE AWG 22-26 crimp cont HMC			State Final Release
09 67 000 5470 580	PL1	5000	Type TB			Doc-Key / ECM-Nr. 100627021/UGD/000/A 500000090266
09 67 000 5470	PL1	100	Number 09670005470			Rev. A
Part number	Performance level	Bulk packaging				Page 1/1