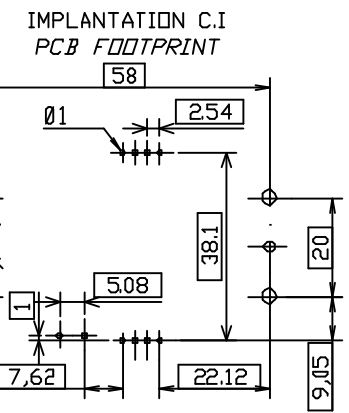
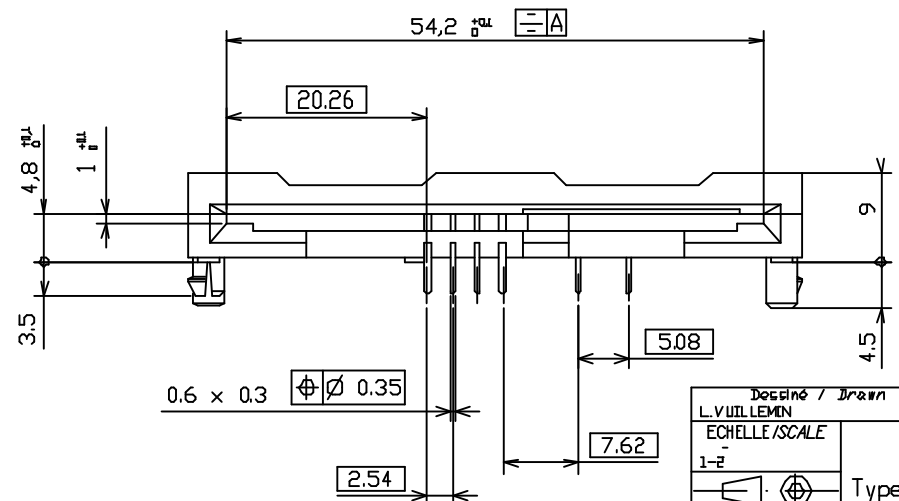
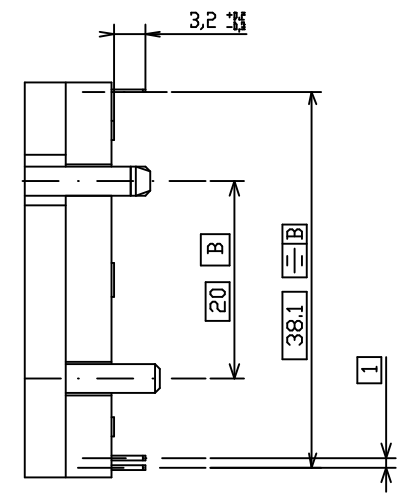
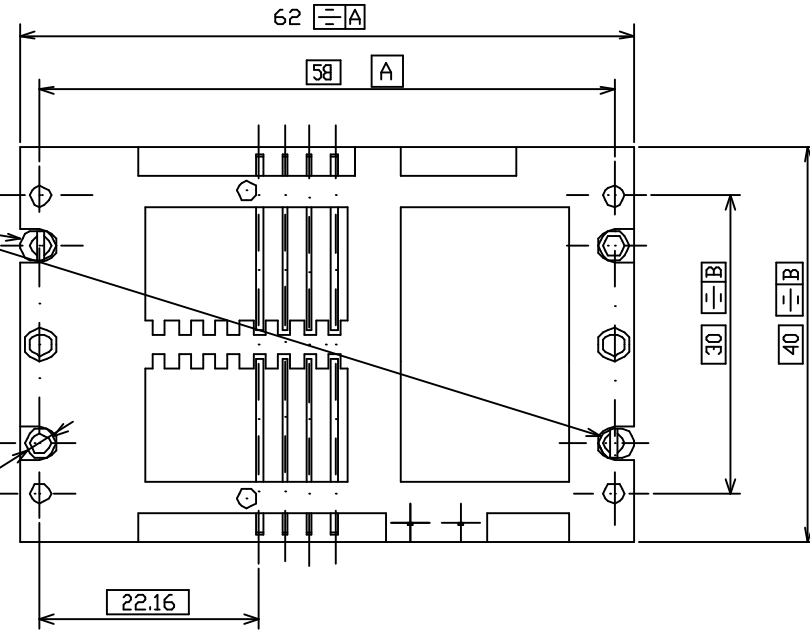


CATALOGUE NUMBER
7434L0425S01

Clips de fixation pour
circuit ép:1.6mm
Ø de perçage=3.2 ± 0.05

Crimping part to use
with a thickness PCB of 1.6
holes Ø=3.2

Ø 3 ± 0.05



Tol.Gén: 0mm a 10mm ±0.1mm
10 a 30mm ±0.15mm
30 a 60mm ±0.2mm
60mm et plus ±0.3mm

Dessiné / Drawn L.VUILLEMIN		Vérifié / Checked D.PERRIN		Approuvé / Approved E.DDIE	
ECHELLE / SCALE 1-2		Dossier / File: VXX 27596			
Type: L04		CONNECTEUR DE CARTE			
 FCI ELECTRONICS FABRIQUE / MADE IN FRANCE		FRAMATOME CONNECTORS PONTARLIER		COMMUNICATION, REPRODUCTION, UTILISATION	
		Rue Claude CHAPPE BP19		INTERDITES SANS AUTORISATION ECRITE.	
		25301 PONTARLIER CEDEX - FRANCE		NO PART OF THIS DOCUMENT MAY BE COMMUNICATED,	
				REPRODUCED OR USED WITHOUT PRIOR WRITTEN PERMISSION	
VJW 12074		EDITION / ISSUE		05 24-01-01	
				04 11-12-97	
				03 26-08-94	
				02 05-06-91	
				01 02-02-91	