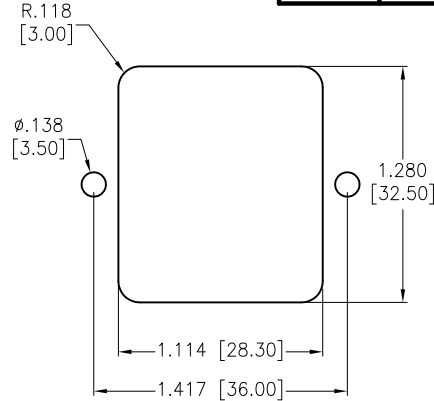
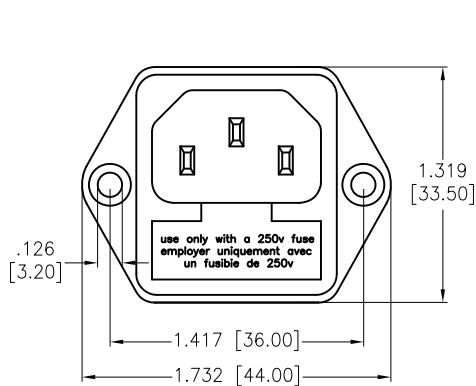
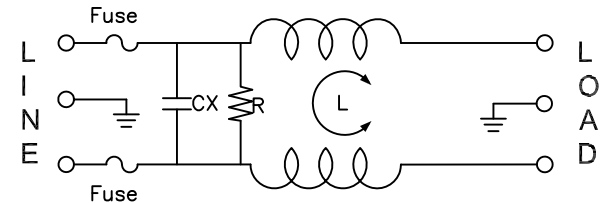
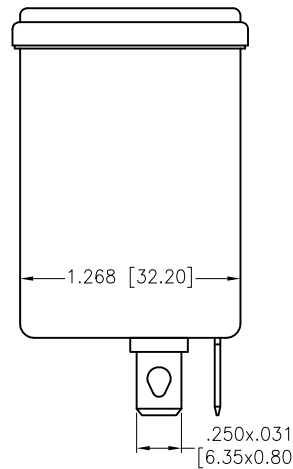
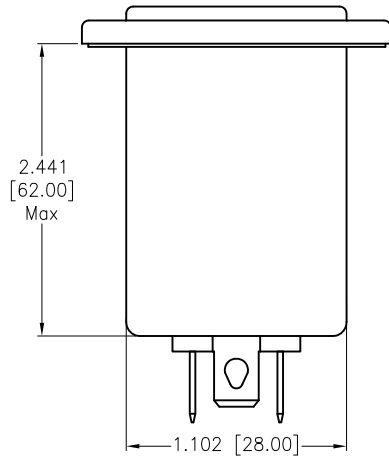
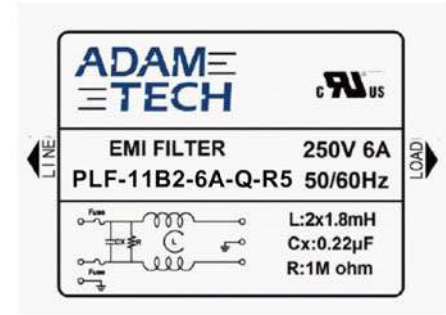


APPROVED: _____
 DATE: _____ TITLE: _____

| Rev | AWO # | Description | Date | Appr |
|-----|-------|----------------|---------|-------|
| - | | RELEASED | 12/6/21 | |
| A | | UPDATE DRAWING | 4/15/22 | WX/RC |
| B | | ADDED DRAWING | 5/27/22 | WX/RC |



RECOMMENDED PANEL CUT



L: 2x1.8mH
 Cx: 0.22uF(X2)
 R: 1M ohm

SPECIFICATIONS:

Electrical:

Voltage rating: 115/250 VAC

Current rating: 115/250 VAC: 6A RMS max

Leakage Current: Each Line To Ground
 @115VAC/60HZ 2.0uA max
 @250VAC/50HZ 5.0uA max

Hipot Rating(For 1 Minute)

A. Line to Ground: 2,250 VDC

B. Line to Line: 500 VDC

IR: 50 Mohm @500 VDC Any Input or Output to Ground

Temperature Rating:
 -25°C to +85°C

Environmental:

Lead free, RoHS compliant



UNLESS OTHERWISE SPECIFIED ALL DIMENSIONS ARE INCHES [MM]. TOLERANCES: EXCEPT AS NOTED

| INCHES | | HOLES | |
|--------|--------|-------|--------|
| .X | ± .10 | Ø.X | ± .10 |
| .XX | ± .020 | Ø.XX | ± .015 |
| .XXX | ± .015 | Ø.XXX | ± .010 |

| | | |
|----------|----|---------|
| DRAWN | WX | 12/6/21 |
| CHECKED | RC | 12/6/21 |
| APPROVED | | |

THIS DRAWING CONTAINS INFORMATION THAT IS PROPRIETARY AND SHOULD NOT BE USED WITHOUT PRIOR WRITTEN PERMISSION FROM ADAM TECH



909 Rahway Avenue,
 Union, NJ 07083
 Phone: 908-687-5000
 Fax: 908-687-5710

TITLE
 EMI/RF POWER FILTER, FUSED INLET SOCKET,
 W/FLANGE MOUNTING

| SIZE | PART NO. | REV. |
|------|------------------|------|
| X | PLF-11B2-6A-Q-R5 | B |

REF: S00205C SCALE: NTS SHEET 1 OF 2

6

5

4

3

2

1

APPROVED: _____

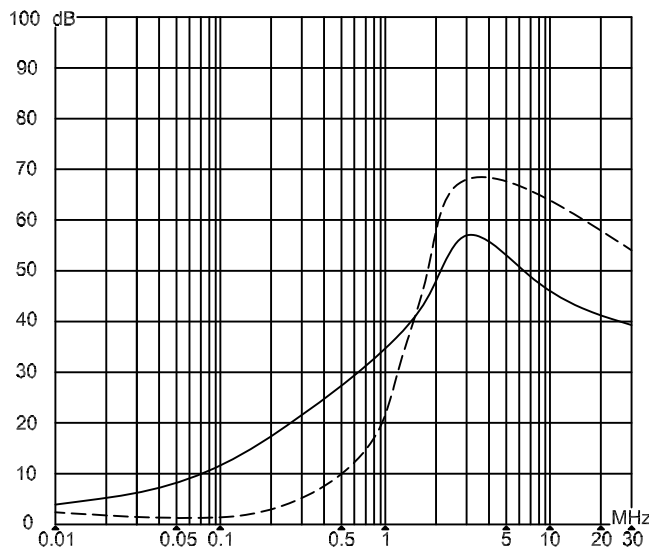
DATE: _____ TITLE: _____

| | | | | |
|-----|-------|-------------|------|------|
| Rev | AWO # | Description | Date | Appr |
|-----|-------|-------------|------|------|

SEE SHT 1 OF 2 FOR REVISION

INSERTION LOSS(IN 50 ohm system according IEC/CISPR

————— (common mode)
 - - - - - (differential mode)



UNLESS OTHERWISE SPECIFIED ALL DIMENSIONS ARE INCHES [MM]. TOLERANCES: EXCEPT AS NOTED

| | | | |
|--------|--------|-------|-------|
| INCHES | | HOLES | |
| .x | ± .10 | ∅x | ±.10 |
| .xx | ± .020 | ∅.xx | ±.015 |
| .xxx | ± .015 | ∅.xxx | ±.010 |



909 Rahway Avenue,
Union, NJ 07083
Phone: 908-687-5000
Fax: 908-687-5710

| | | |
|----------|----|---------|
| DRAWN | WX | 12/6/21 |
| CHECKED | RC | 12/6/21 |
| APPROVED | | |

TITLE
EMI/RF POWER FILTER, FUSED INLET SOCKET,
W/FLANGE MOUNTING

THIS DRAWING CONTAINS INFORMATION THAT IS PROPRIETARY AND SHOULD NOT BE USED WITHOUT PRIOR WRITTEN PERMISSION FROM ADAM TECH

| | | |
|-----------|------------------------------|-----------|
| SIZE X | PART NO. PLF-11B2-6A-Q-R5 | REV. B |
|-----------|------------------------------|-----------|

| | | |
|--------------|------------|--------------|
| REF: S00205C | SCALE: NTS | SHEET 2 OF 2 |
|--------------|------------|--------------|

6

5

4

3

2

1