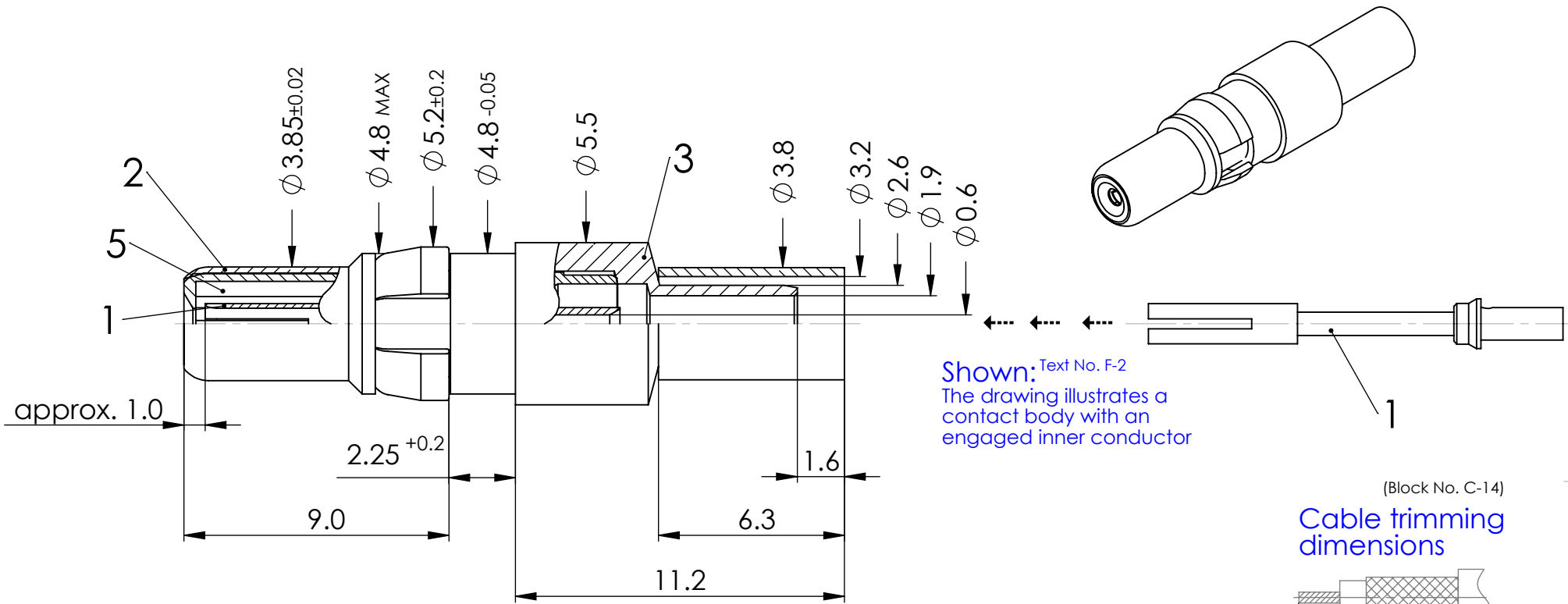


COMMENT:
 ALL RIGHTS ARE RESERVED BY US FOR THIS DRAWING. WITHOUT OUR PRIOR CONSENT,
 IT MAY NEITHER BE DUPLICATED NOR MADE AVAILABLE TO A THIRD PARTY,
 AND IT ALSO MAY NOT BE IMPROPERLY USED BY TE RECEIVER, OR A THIRD PARTY.



Text No. W-1
FCT tools:

Crimping of inner conductor:

Hand tool: M22520/2-01
 Locator: K1003

Pneumatic crimp tool: WA22
 Locator: K1003

Cable:
 AWG 24 / SEL. 5
 AWG 26 / SEL. 5
 AWG 28 / SEL. 4
 AWG 30 / SEL. 3

Text No. W-2
FCT tools:

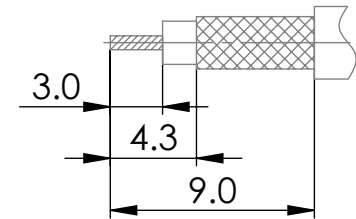
Crimping of outer conductor:

Hand tool: M22520/5-01
 Die: Y1535P cavity B

Pneumatic crimp tool: HX23
 (replacement for PH4001) ②

Extraction tool: DRK38

(Block No. C-14)
**Cable trimming
 dimensions**



IMPEDANCE		75 Ohm		COAXIAL CONTACT		SCALE		CABLE	
FOR		D-SUB				5:1		RG179BU, RG187AU, Belden 9221	
DIMENSIONS IN MM				DRAWN		NAME / DATE		DATA SHEET	
MATERIAL + FINISH SEE EXTRA SHEET				CHECKED		ffuhrmann 05-07-2006			
UNLESS OTHERWISE SPECIFIED DIMENSIONS FOR REFERENCE ONLY						sschref 17-10-2012		PART NO.	
2		16-10-2012		23305				FMS002P	
REV.		DATE		INDEX				REPLACEMENT FOR:	
1		2				ORIGINAL: DIN A4-DRAWING AS A FILE		PAGE: 1/1	