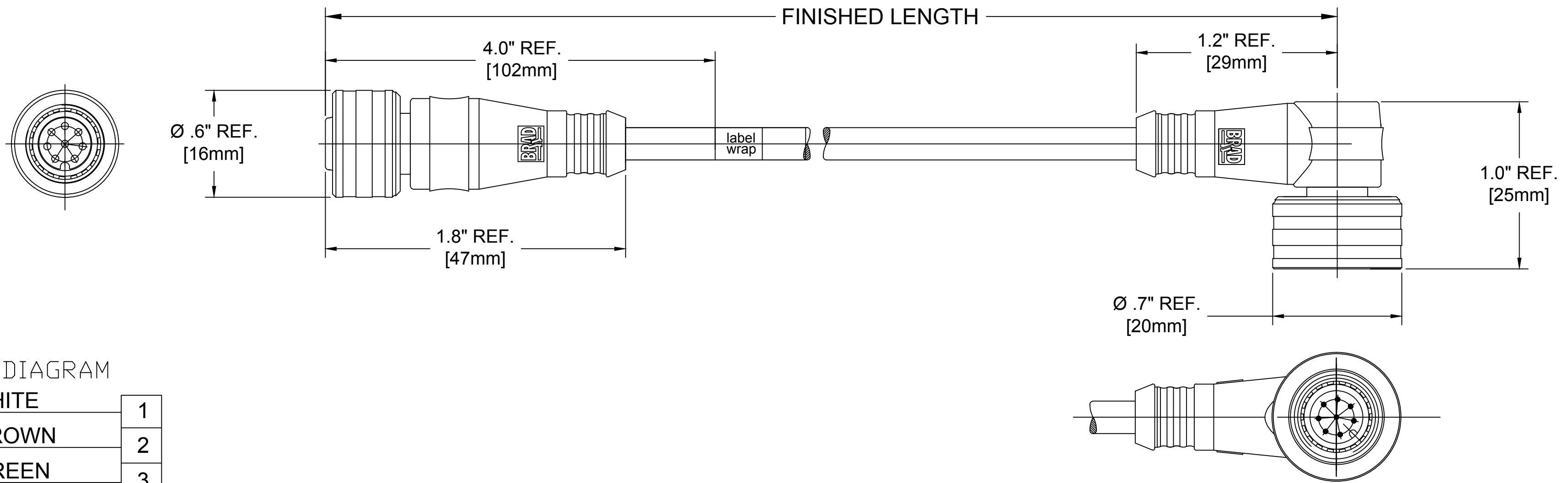


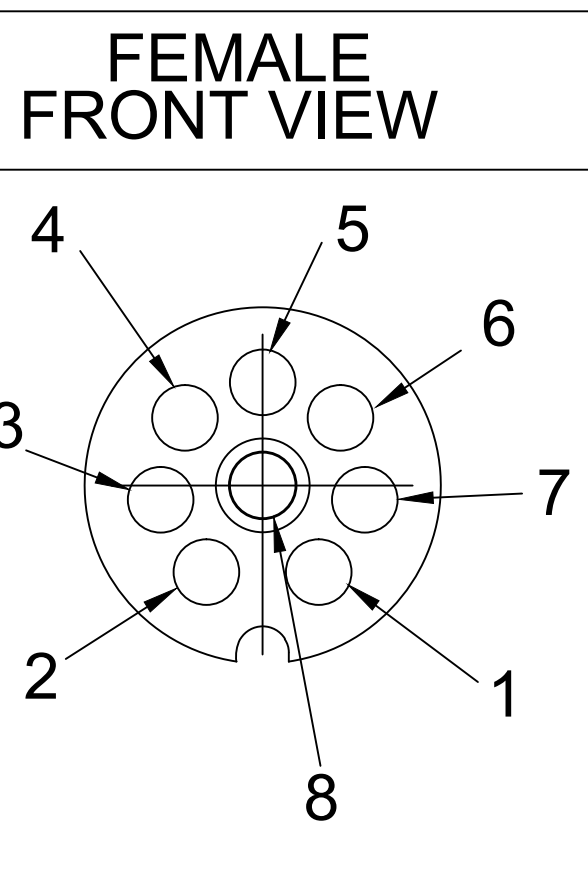
13	12	11	10	9	8	7	6	5	4	3	2	1
MATERIAL NUMBER		OLD PART NUMBER		FINISHED LENGTH								
1200808035		WW8032H08M010		1M +55.6mm -0 [3.3FT. +2.2IN -0]								



WIRING DIAGRAM

1	WHITE	1
2	BROWN	2
3	GREEN	3
4	YELLOW	4
5	GRAY	5
6	PINK	6
7	BLUE	7
8	RED	8

8-POLE

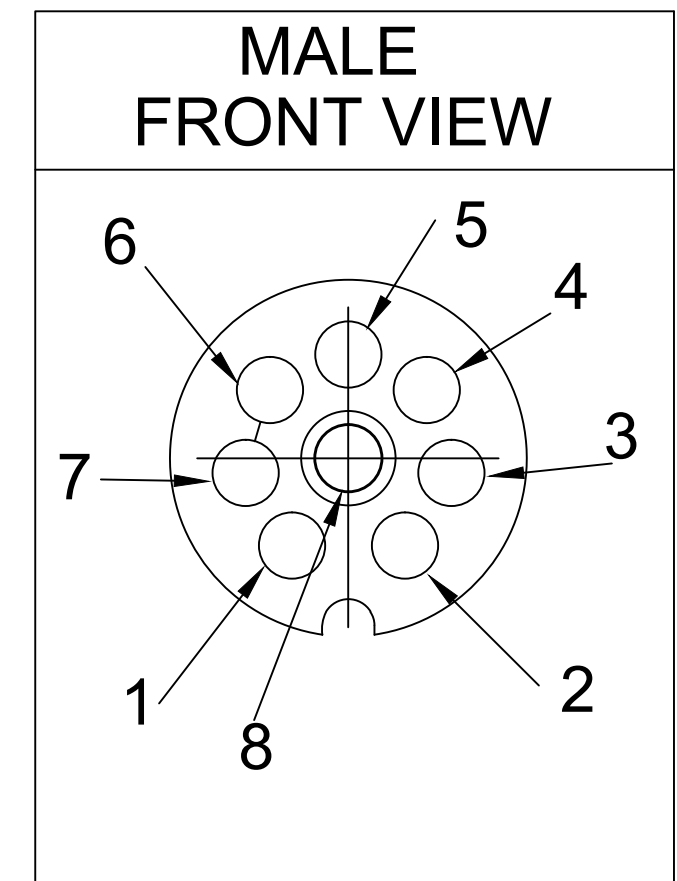


WW8032H08M010

cable type
#24 PUR
BLACK

cable length
010----1 Meter
100----10 Meters

8-POLE



SPECIFICATION DATA

COMPONENT	MATERIAL	FINISH
LABEL	MYLAR	BLACK/YELLOW
COUPLER	BRASS	NICKEL PLATED
CONTACT	COPPER ALLOY	Au OVER Ni
INSERT	PUR	BLACK
OVERMOLD	TPU	BLACK
CABLE #24	PUR	BLACK
VOLTAGE RATING:		300V
AMPERAGE RATING:		2A
PROTECTION CLASS:		IP67/68/69K
OPERATING TEMPERATURE:		-30°C / 80°C
CSA CERTIFICATIONS:		FILE NO. LR6837

RELEASE EC NO: ICG2014-0591 DRWN: GGUSTAFS 2013/09/26 CH'KD: BARDEN APPR: BWOODMAN2013/10/09 REV A	QUALITY SYMBOL	GENERAL TOLERANCES (UNLESS SPECIFIED)		DIMENSION STYLE IN/MM		SCALE NTS	DESIGN UNITS INCH	THIRD ANGLE PROJECTION		
	$\nabla=0$ $\nabla C=0$	4 PLACES	mm	INCH	DRAWN BY	DATE	TITLE	MICRO CHANGE ULTRA LOCK 8P FEMALE/MALE ST/90D #24 PUR		
		3 PLACES	±---	±---	GGUSTAFS	2013/09/26				
		2 PLACES	±0.13	±0.010	CHECKED BY	DATE	MOLEX INCORPORATED MOLEX SD-120080-075			
	1 PLACE	±0.25	±0.020	BARDEN	2013/11/28					
		ANGULAR ±.5°		APPROVED BY	DATE	SHEET NO. 1 OF 1				
		DRAFT WHERE APPLICABLE MUST REMAIN WITHIN DIMENSIONS		BWOODMAN	2013/10/09					
				MATERIAL NO.	SEE CHART					
				SIZE C	THIS DRAWING CONTAINS INFORMATION THAT IS PROPRIETARY TO MOLEX INCORPORATED AND SHOULD NOT BE USED WITHOUT WRITTEN PERMISSION					