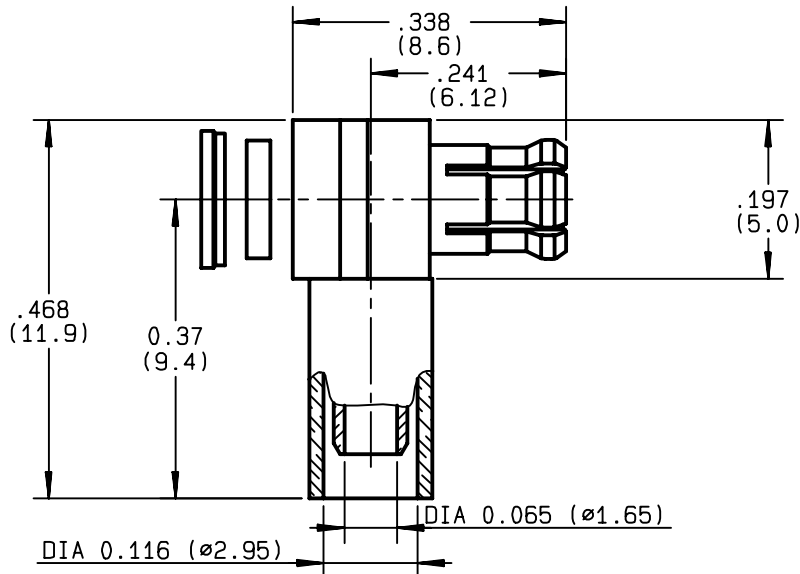


**RIGHT ANGLE PLUG CRIMP TYPE
CABLE 2.6/50 S**

R113.182.000
SERIES MCX



NOMINAL IMPEDANCE	50 Ω	CABLES : KX 22A
FREQUENCY RANGE	0-6 GHz	RG 188
TEMPERATURE RATING	-55/+155 °C	RG 316
V.S.W.R	1.10 + .075 x F(GHz)Maxi	
RF INSERTION LOSS	0.5 √F(GHz) dB Maxi	
VOLTAGE RATING	170 Veff Maxi	
DIELECTRIC WITHSTANDING VOLTAGE	500 Veff Mini	
INSULATION RESISTANCE	1000 MΩMini	OTHERS CHARACTERISTICS
HERMETIC SEAL	NA Atm.cm ³ /s	CABLE RETENTION 53 N Mini
LEAKAGE (pressurized only)	NA	CENTER CONTACT RETENTION
MECHANICAL DURABILITY	500 Cycles	Axial force - mating end 10 N Mini
WEIGHT	.7 gr	Axial force - opposite end 10 N Mini
SPECIFICATION		Torque NA cm.N Mini
		RECOMMENDED TORQUES
		Mating NA cm.N
		Panel nut NA cm.N
		Clamp nut NA cm.N

CONNECTOR PARTS	MATERIALS	FINISH	(all values are given) in micrometers
BODY	BRASS	GOLD 0.2 OVER NICKEL 2	
OUTER CONTACT	BERYLLIUM COPPER	GOLD 0.5 OVER NICKEL 2	
CENTER CONTACT	BRASS	GOLD 1.3 OVER NICKEL 2	
INSULATOR	PTFE	-	
GASKET		-	
OTHERS PIECES			

ISSUE	CREATION DATE	FILE PART-NUMBER
9925G00	30/08/1988	



BAFFERT

The information given here is subject to change without notice.
Design changes may be in order to improve the product .

Connect to the future

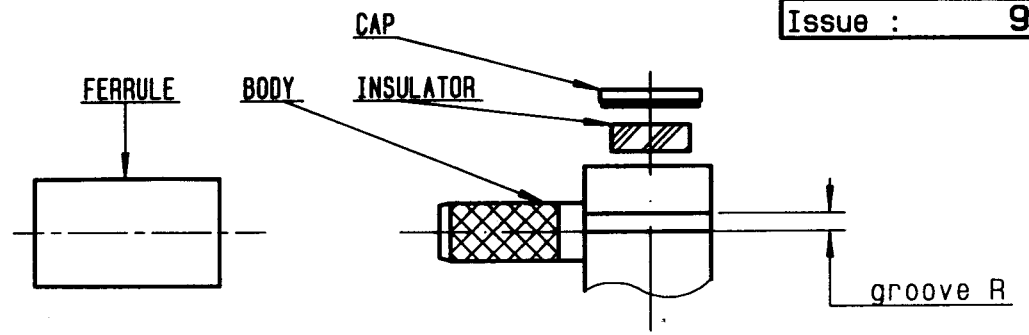
SERIE DTPA MCX



R113.182.000

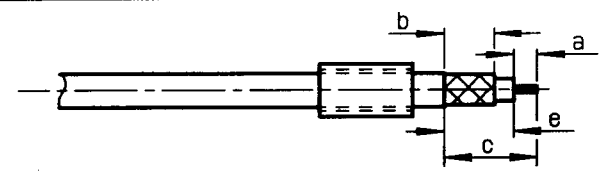
Issue : 9925

Page
2 / 2



①

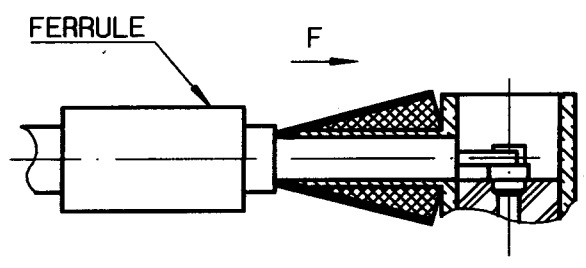
Slide onto the cable the ferrule .
Strip the cable .
Tin cable inner conductor .
-



Stripping	a	b	c	d	e
inch	0.079	0.197	0.315	0	0.236
mm	2	5	8	-	6

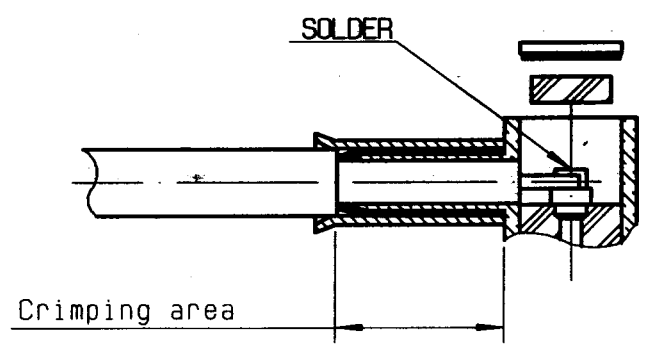
②

Fan the braid .
Push connector body under the braid .
Slide the ferrule on the braid
(in direction F)
-
-
-
-



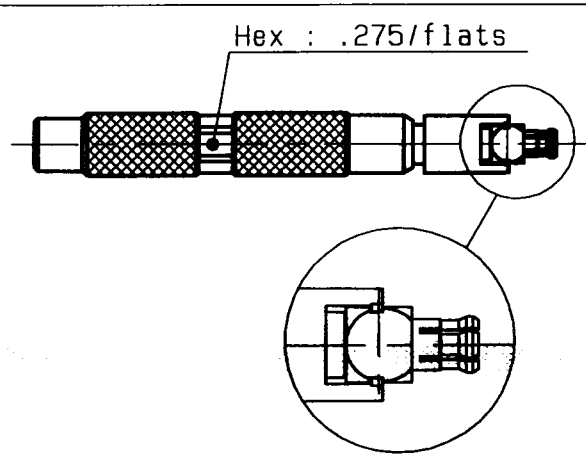
③

Crimp the ferrule with crimping tool R282 271 000 (Hex. : .128) or crimping tool R 282 293 000 (M22520/5-01) .
+ dies R 282 235 003 (M22520/5-03)
Solder inner conductor .
Introduce the insulator into the body .
Press fit the cap .



④

Slide mounting tool R282 868 onto the body grooves .
Press fit the cap turning tool handle with adapted wrench .275(AF) (cap in the same plan than square face) .
-
-
-
-



4112 927