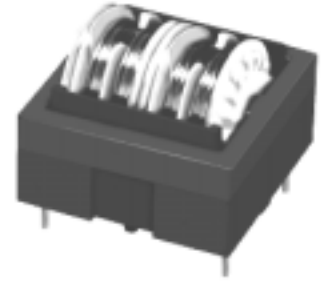
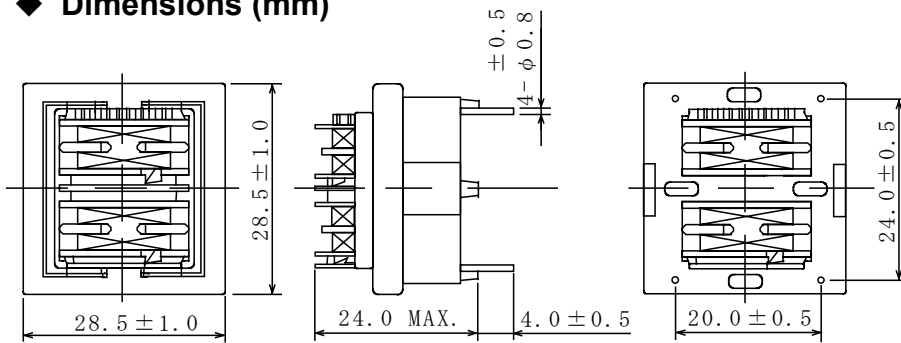
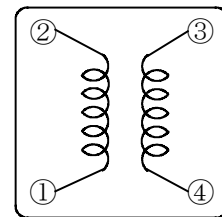


**Type: LF2823**
**◆ Product Description**

- 29.5×29.5mm Max.(L×W), 24.0mm Max. Height .
- Inductance range: 1.8mH~68mH
- Rated current range: 0.6~2.6A
- In addition to the standard versions of parameters shown here, custom designs are available to meet your exact requirements.


**◆ Feature**

- Excellent attenuation characteristics in low frequency range.
- Ideally used in TV,VCR,AV,OA equipment for noise prevention.
- RoHS Compliance

**◆ Dimensions (mm)**

**◆ Schematics (Bottom)**


- \* Dimension does not include solder used on coil.
- \* Terminal pitch is measured at the base(not from tip of the pin)

- \* Winding start is #1,#4 or #2,#3.
- \* #1&#4, #2&#3 : should have same polarity.

**◆ Specification**

Part No.	Stamp	Inductance [MIN.](mH) (1-2)( 4-3) 1kHz	Inductance Balance [MAX.] (μ H)	D.C.R. (Ω) [MAX.] (1-2)(4-3) (at 20°C)	Rated Current (50/60Hz) (Arms)※1
LF2823NP-B-182	182	1.8	100	72m	2.6
LF2823NP-B-682	682	6.8	200	0.23	1.6
LF2823NP-B-123	123	12	400	0.38	1.2
LF2823NP-B-223	223	22	500	0.65	1.0
LF2823NP-B-393	393	39	700	1.43	0.7
LF2823NP-B-683	683	68	850	1.82	0.6

※1. Rated current: The AC current at which the temperature rise is Δt=45°C.(Ta=20°C).