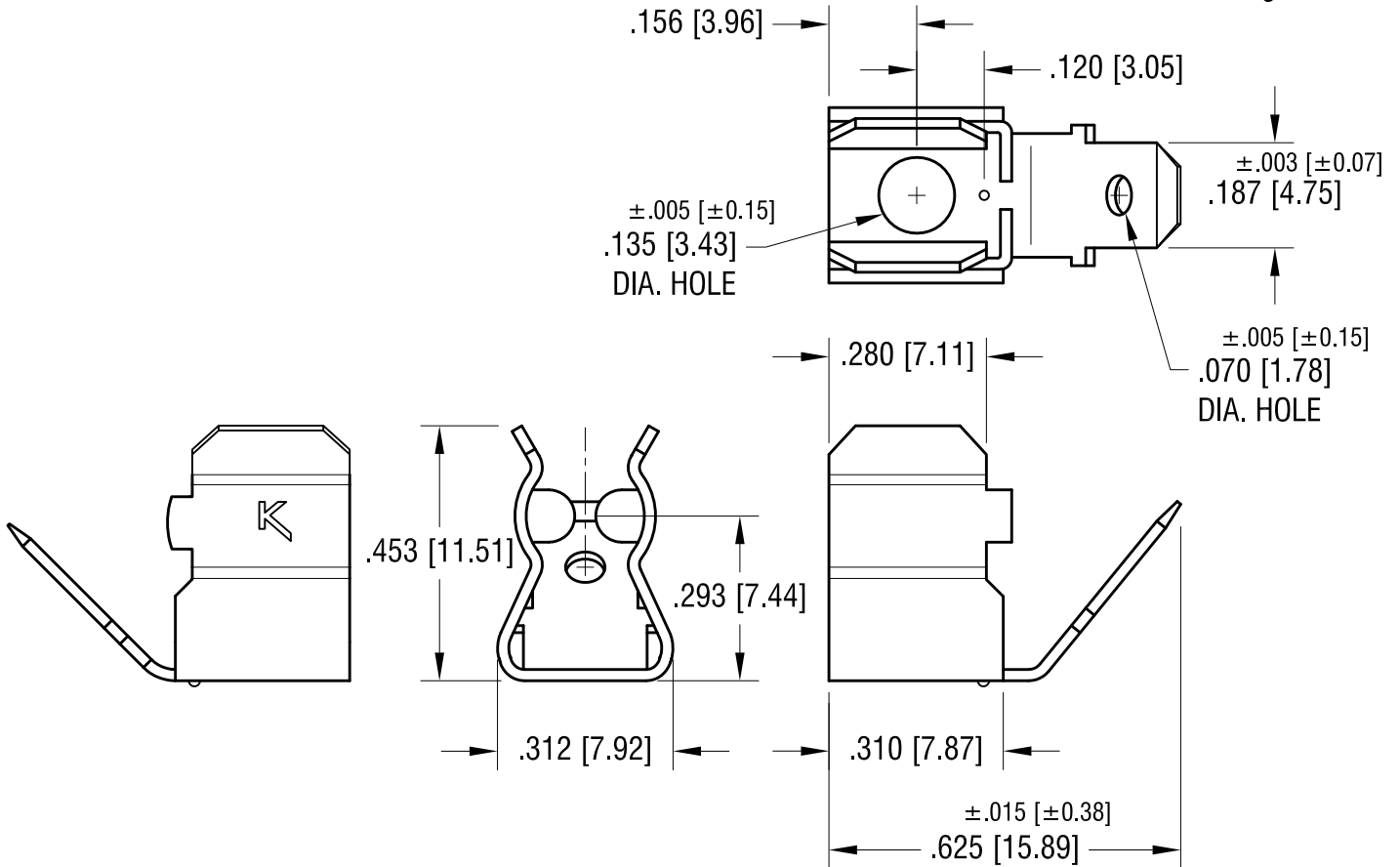
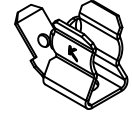


THIS DOCUMENT IS THE PROPERTY OF KEYSTONE ELECTRONICS CORP. AND SHALL NOT BE REPRODUCED, DISTRIBUTED OR USED AS A BASIS FOR MANUFACTURE WITHOUT PRIOR WRITTEN PERMISSION FROM KEYSTONE ELECTRONICS CORP.

ACTUAL SIZE



KEY FILE NUMBER: E354010

KEYSTONE ELECTRONICS CORP.			
www.keyelco.com • NEW HYDE PARK NY 11040 • Tel (516)328-7500			
PART NAME			
3AG QUICK-FIT FUSE CLIP			
MATERIAL			
.020 [0.50] TH'K BRASS			
FINISH		DRN BY	DATE
NICKEL PLATE		BOONE	5.23.02
		APP'D	SCALE
		MR	3X
TOLERANCES	INCH [MM]	CODE	DWG NO.
DECIMAL	±.010 [±0.25]	C	4246
ANGULAR	± 1°		
UNLESS OTHERWISE SPECIFIED			

9.12.12	CHANGE AS PER ECN 12-140	B
12.11.09	CHANGE AS PER ECN 09-183	A
DATE	DESCRIPTION	REV.