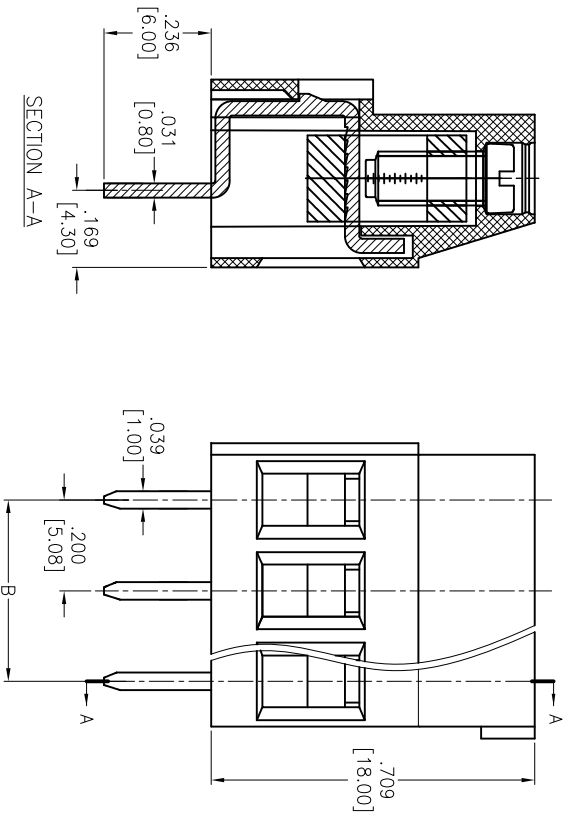
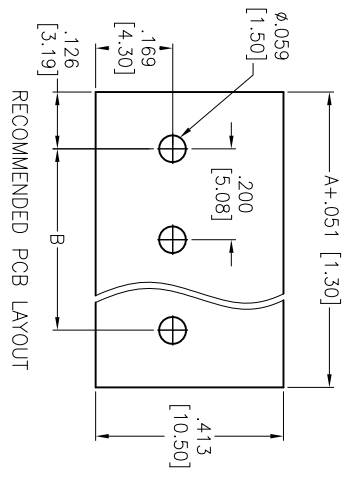
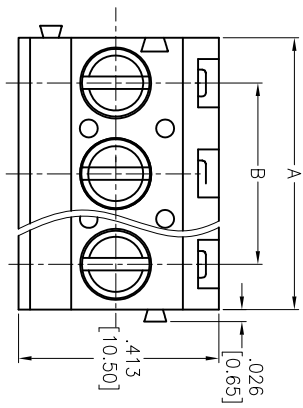


| Rev | AWO # | Description | Date    | Appr |
|-----|-------|-------------|---------|------|
| -   |       | RELEASED    | 9/10/13 |      |

APPROVED: \_\_\_\_\_  
 DATE: \_\_\_\_\_ TITLE: \_\_\_\_\_



Positions: 02 thru 24  
 A = .200 [5.08] x No. of Positions  
 B = .200 [5.08] x No. of Spaces

**SPECIFICATIONS:**

- Material: Insulator: PA66, rated UL 94V-0
- Insulator color: Green
- Screw: Steel, M3.0/Zinc plated
- Cage: Brass, Nickel plated
- Pin Header: Brass, Tin plated
- Electrical: Voltage rated: 300 VAC
- Current rated: 16 Amps
- Contact resistance: 20 mΩ
- Insulation resistance: 500 MΩ @ 500 VDC
- Withstanding voltage: 2000V AC/1 Min
- Mechanical: Solid wire: 26-12AWG 2.5mm<sup>2</sup>
- Torque (Lb-in): 0.5Nm (4.5lb-in)
- Strip length: 6-7mm
- Temperature Rating: Operating temperature: -40°C to +105°C
- Environmental: Lead free, RoHS compliant.

**ADAM TECH**

909 Railway Avenue, Union, NJ 07083  
 Phone: 908-687-5000 Fax: 908-687-5710

EURO BLOCK, 200 [5.08] PITCH

| UNLESS OTHERWISE SPECIFIED   |        | TOLERANCES ARE IN INCHES [MM] |              |
|------------------------------|--------|-------------------------------|--------------|
| .X                           | ± .10  | ØX                            | ± .10        |
| .XX                          | ± .020 | ØXXX                          | ± .015       |
| .XXX                         | ± .015 | ØXXXX                         | ± .010       |
| APPROVALS                    |        | DATE                          |              |
| DRAWN                        | AY     | 7/9/14                        |              |
| CHECKED                      | SY     | 7/9/14                        |              |
| APPROVED                     |        |                               |              |
| TITLE                        |        | SIZE                          | PART NO.     |
| EURO BLOCK, 200 [5.08] PITCH |        | X                             | EB147A-XX-D  |
| REF: S00067C                 |        | SCALE: NTS                    | SHEET 1 OF 1 |

