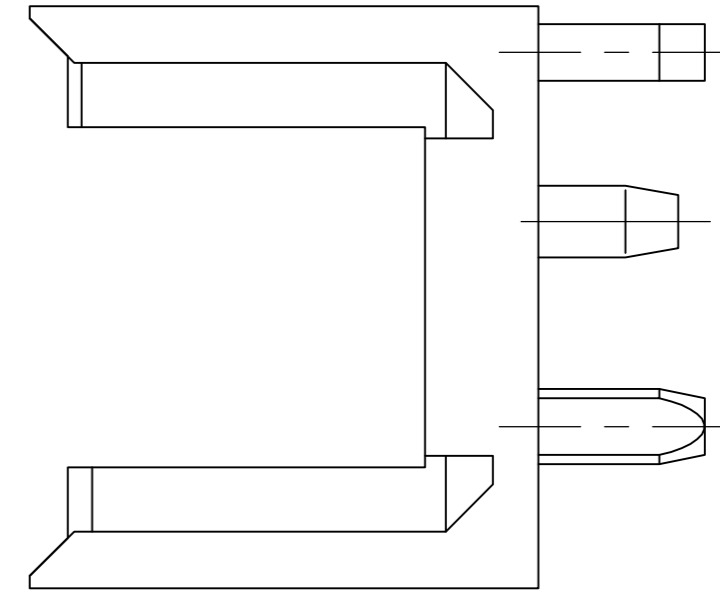
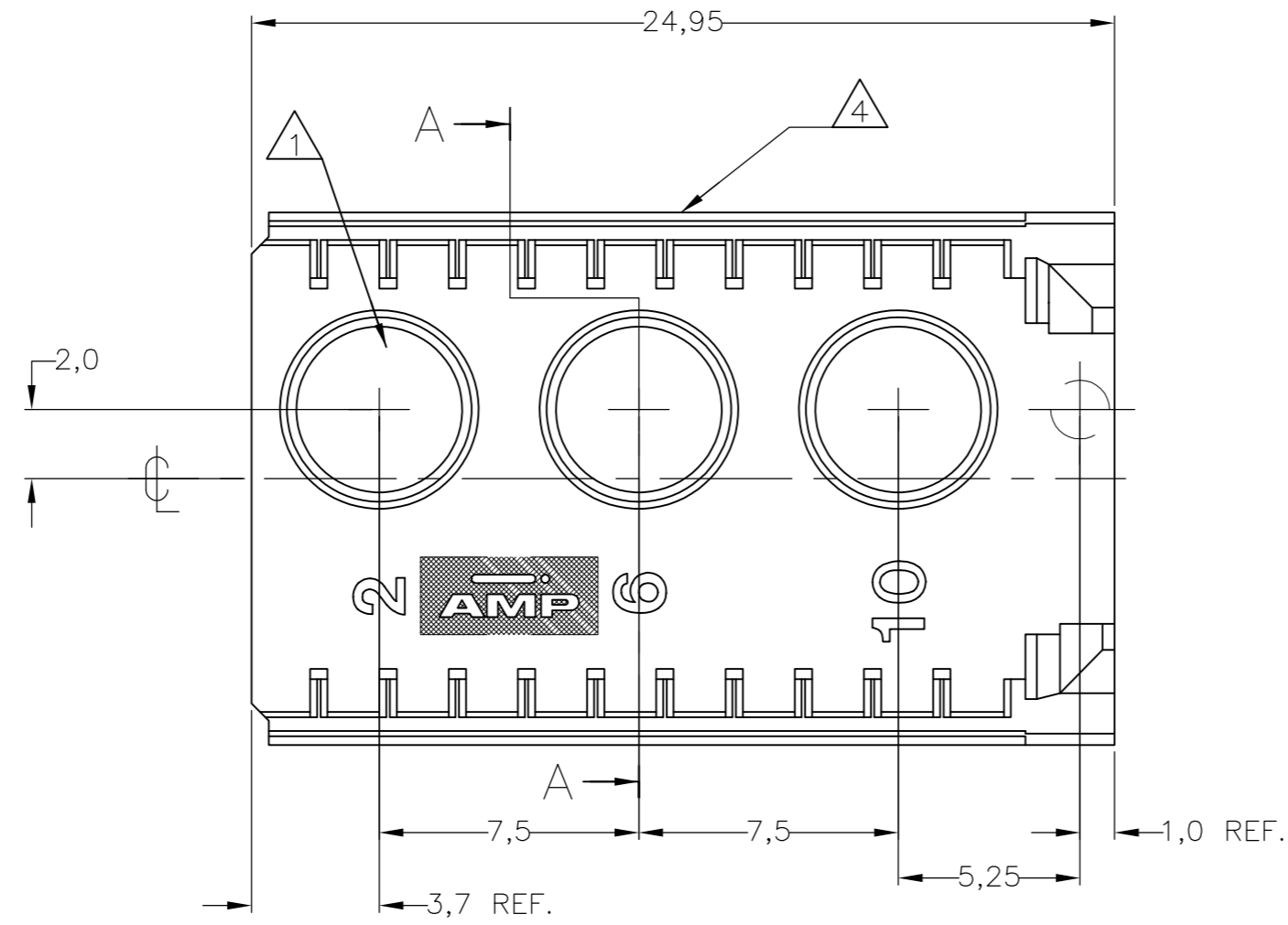
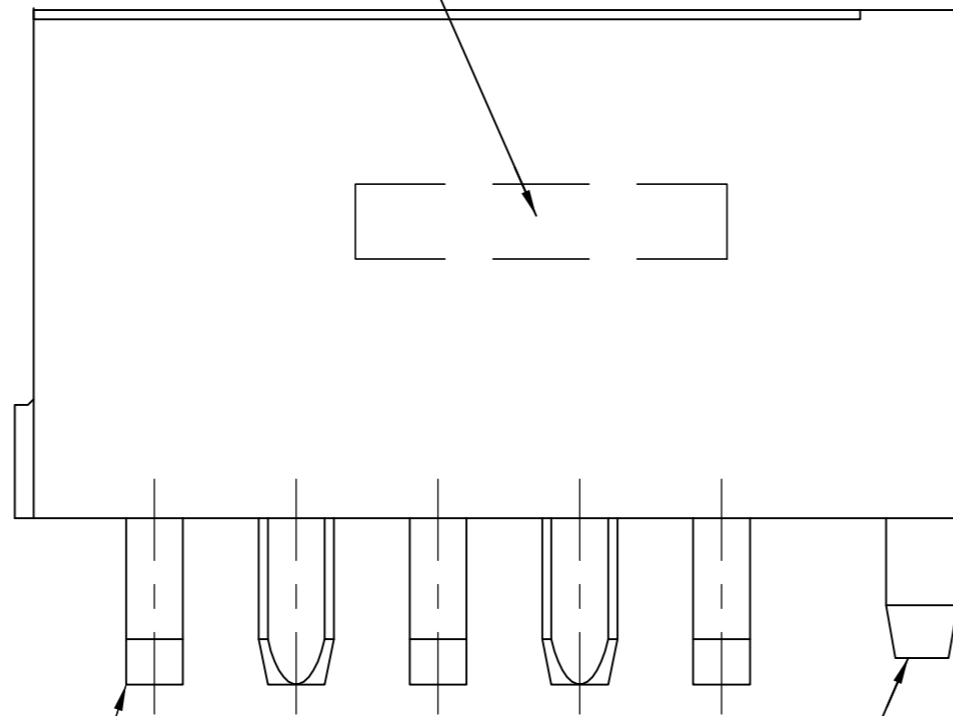


THIS DRAWING IS UNPUBLISHED. RELEASED FOR PUBLICATION  
 © COPYRIGHT - By - ALL RIGHTS RESERVED.

LOC		DIST		REVISIONS			
P	LTR	DESCRIPTION		DATE	DWN	APVD	
H	-	F	REVISED PER ECR-14-009289	22SEP14	FL	FY	

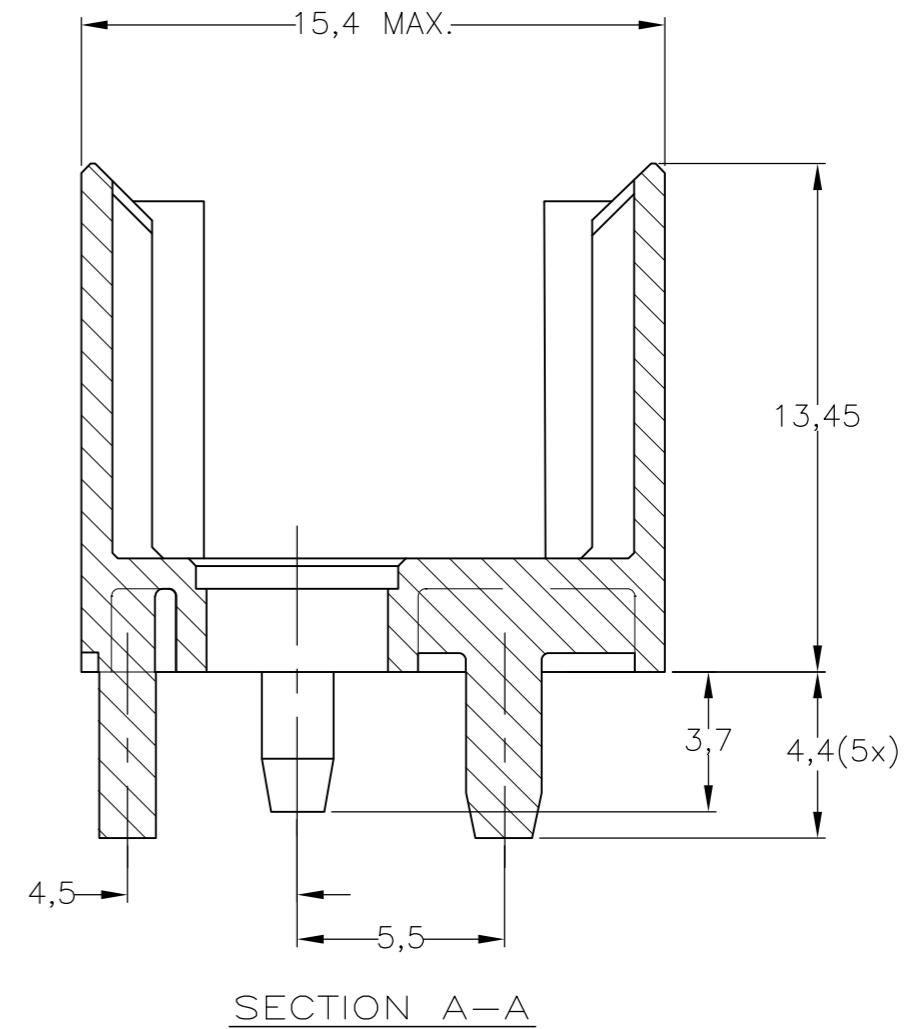


PRINTING AREA (AT OTHER SIDE)



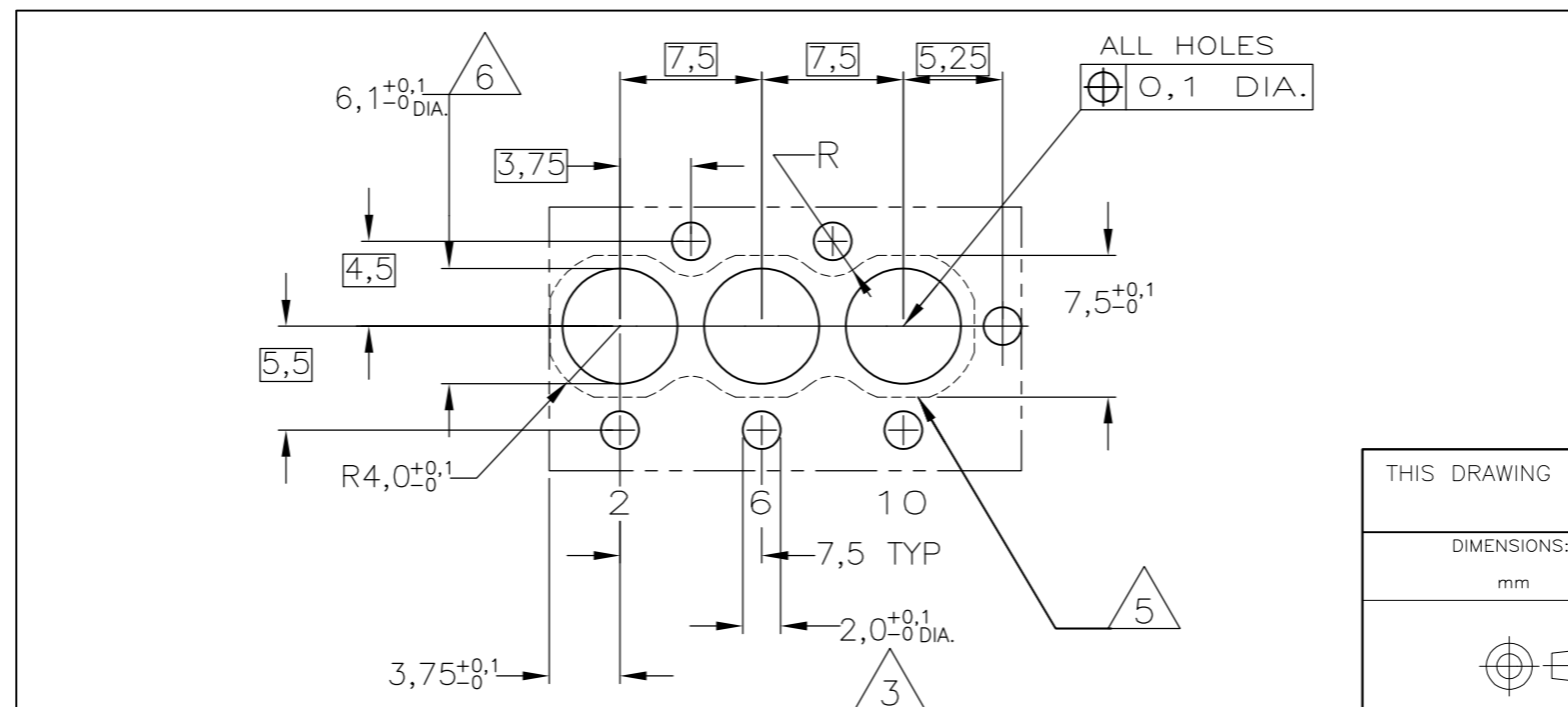
FIXING NIPPLE (5x)  
(PRESS FIT)

POLARIZING NIPPLE



NOTES:

- 1 CONTACT CAVITIES SUITABLE FOR 4,8 DIA. HIGH CURRENT, HIGH FREQUENCY OR FIBRE OPTIC CONTACTS AS PER DIN 41626 (SEE ALSO NOTE 5 AND 6).
- 2 MATERIAL HOUSING : GREY GLASSFILLED POLYESTER.
- 3 NOT PLATED-THROUGH HOLES (6x).
- 4 CONNECTOR PRINTED WITH PARTNUMBER AND DATECODE.
- 5 PATTERN FOR FIBRE OPTIC CONTACTS.
- 6 NOT PLATED-THROUGH HOLES; TO BE REPLACED BY 5,9 DIA. PLATED-THROUGH HOLES IF STRAIGHT SOLDER CONTACTS ARE APPLIED.
- 7 BULK PACKED
- 8 PACKED IN TUBES
- 9 OBSOLETE PARTS: OBSOLETE CIS STREAMLINING PER D.RENAUD/D.SINISI



RECOMMENDED PCB-HOLE LAY-OUT  
COMPONENT SIDE

THIS DRAWING IS A CONTROLLED DOCUMENT.

DIMENSIONS:	TOLERANCES UNLESS OTHERWISE SPECIFIED:
mm	±0.2
	±0.2
MATERIAL	FINISH
-	-

DWN	17 MAR 92	S. MEEUWSEN	
CHK	23 MAR 92	B.MOOIJ	
APVD	13 APR 92	L. v. SOEST	
PRODUCT SPEC	108-19082	APPLICATION SPEC	
114-19029	WEIGHT	-	
CUSTOMER DRAWING	SCALE	-	
FINISH	MATERIAL	PARTNUMBER	
9 OBSOLETE	-	4 100751-3	
-	-	8 100751-1	
TE Connectivity		Z-PACK 2mm HM	
TE Connectivity		TYPE N MALE CONNECTOR HOUSING	
SIZE	CAGE CODE	DRAWING NO	RESTRICTED TO
A2	00779	C=100751	-
SHEET		1 OF 1	
REV		F	