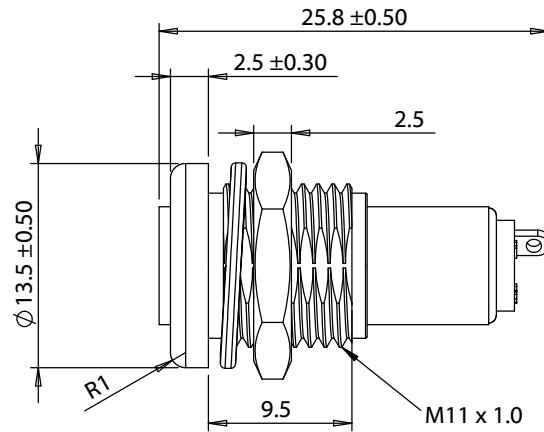


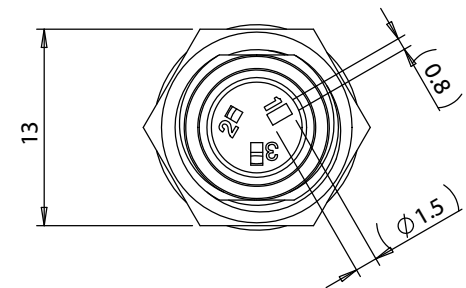
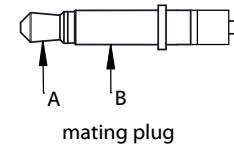
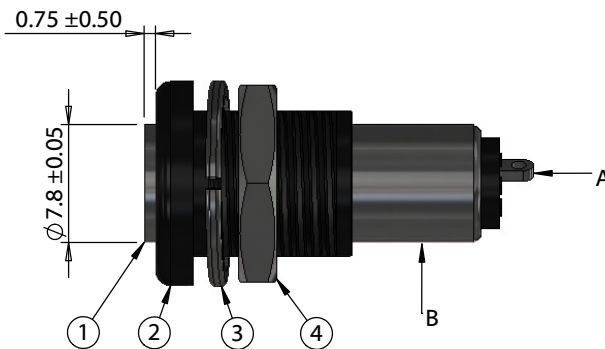
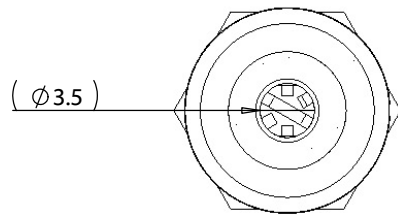
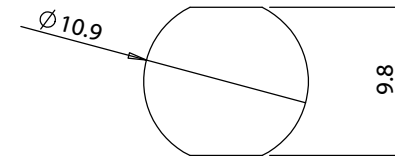
ITEM NO.	PART NUMBER	DESCRIPTION	QTY.	COMPONENT NOTES
1	50-00944	Connector, mono jack, 3.5x7.8xL25.8 mm, brass, nickel plated, molding style	1	
2	24-00287	Overmold, jack, 13.5x14 mm, panel mount	1	Nylon 94V-0, black
3	56-00001	Hardware, washer, lock, 14x11.1x1.1 mm, SPCC, nickel plated	1	
4	56-00000	Hardware, nut, hex, 13x2.5 mm, M11x1.0, brass, nickel plated	1	



**Installation Details**

Panel thickness: 1.5 - 4.5

Recommended panel cutout:



Revision:	Date:	Description:	Prepared:	Notes:	<h1>TENSILITY</h1> <p>tel 1.541.323.3228 800 877.670.7118 fax 1.541.323.4202 web tensility.com</p>				
A	11/12/2019	Initial release	AW <small>Digitally signed by AW Date: 2019.11.12 14:48:37 -08'00'</small>	RoHS compliant					
			Verified:	Function test: no open, no short circuit, no intermittent	<table border="1"> <tr> <td>Size:</td> <td>Part number:</td> </tr> <tr> <td>A</td> <td>54-00171</td> </tr> </table>	Size:	Part number:	A	54-00171
Size:	Part number:								
A	54-00171								
			Dimensions are in millimeters. Tolerances: X: ± 0.3 mm X.X: ± 0.1 mm X.XX: ± 0.05 mm	Description: Connector, mono jack, 3.5x7.8x25.8 mm, panel mount, threaded, nut and washer	<table border="1"> <tr> <td>Scale: 2:1</td> <td></td> <td>Sheet 1 of 1</td> </tr> </table>	Scale: 2:1		Sheet 1 of 1	
Scale: 2:1		Sheet 1 of 1							

5

4

3

2

1