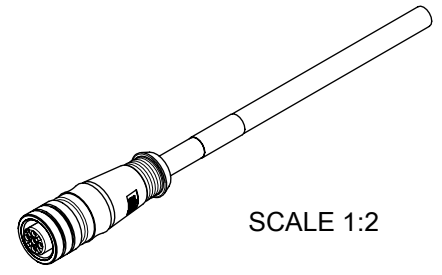


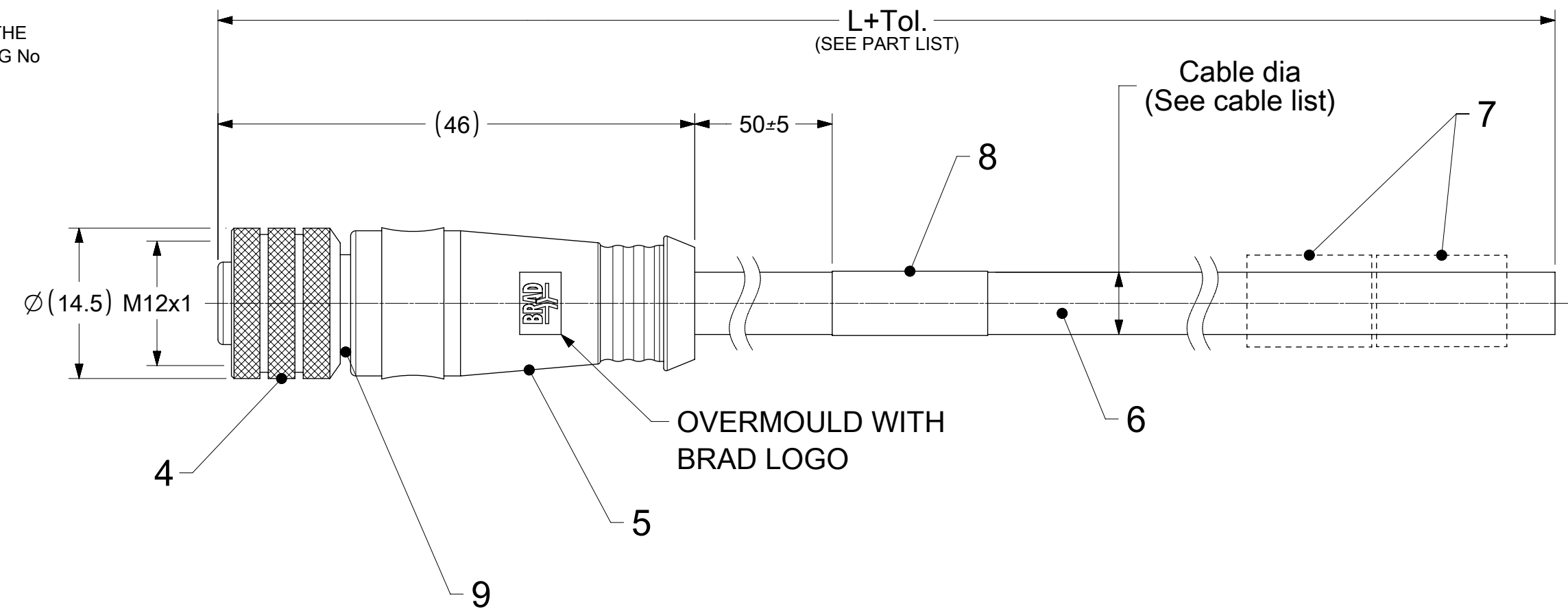
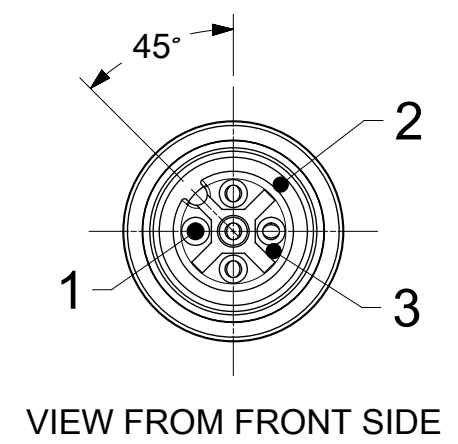
ELECTRICAL DATA:

VOLTAGE RATING: 3/4P 250V  
 VOLTAGE RATING: 5P 60V  
 AMPERAGE RATING: 3/4/5P 4A  
 INSULATION RESISTANCE: 10<sup>8</sup> Ω MIN.  
 MATING CYCLES: MIN. 100  
 ENVIRONMENTAL:  
 PROTECTION: IP67  
 OPERATING TEMPERATURE: -25°C TO +85°C

FOR CABLES Ixx USE PRINTING ON THE CABLE WITH THE SAME MEASUREMENT LIKE FOR LABEL – ENGINEERING No



SCALE 1:2



VIEWS FROM THE FRONT SIDE

| 3 POLE     |              | 4 POLE     |              | 5 POLE     |              |
|------------|--------------|------------|--------------|------------|--------------|
|            |              |            |              |            |              |
| <b>PIN</b> | <b>COLOR</b> | <b>PIN</b> | <b>COLOR</b> | <b>PIN</b> | <b>COLOR</b> |
| 1          | BN           | 1          | BN           | 1          | BN           |
| 2          | ---          | 2          | WH           | 2          | WH           |
| 3          | BU           | 3          | BU           | 3          | BU           |
| 4          | BK           | 4          | BK           | 4          | BK           |
|            |              |            |              | 5          | GY or GN-YE  |

BOM

| ITEM | QTY.  | DESCRIPTION         | MATERIAL    | FINISH/COLOR         |
|------|-------|---------------------|-------------|----------------------|
| 9    | 1     | SHEILD SLEEVE       | BRASS       | Ni-PLATED            |
| 8    | 1     | LABEL               | VINYL       | YELLOW               |
| 7    | 2     | ID-CARRIERS         | ---         | ---                  |
| 6    | -     | CABLE               | SEE SHEET 2 | SEE SHEET 2          |
| 5    | -     | OVERMOULDING        | TPU         | BLACK                |
| 4    | 1     | COUPLING NUT FEMALE | BRASS       | NICKEL               |
| 3    | 1     | INSERT FEMALE       | PUR/TPU     | BLACK                |
| 2    | 2     | O-RING              | FPM         | RED                  |
| 1    | 3/4/5 | CONTACT FEMALE      | BRASS       | SELECTIVE Au OVER Ni |

CABLE LENGTH TOLERANCES

| OVER [mm] | UP TO AND INCLUDING [mm] | TOLERANCES [mm]        |
|-----------|--------------------------|------------------------|
| 0         | 305                      | +19                    |
| 305       | 915                      | +45                    |
| 915       | 1830                     | +56                    |
| 1830      | 3660                     | +89                    |
| 3660      | 7320                     | +165                   |
| 7320      | 14640                    | +317                   |
| 14640     | 30500                    | +610                   |
| 30500     | >                        | +2% of finished length |

THIS DRAWING CONTAINS INFORMATION THAT IS PROPRIETARY TO MOLEX ELECTRONIC TECHNOLOGIES, LLC AND SHOULD NOT BE USED WITHOUT WRITTEN PERMISSION

SYMBOLS: ▽ = 0, ▽ = 0, ▽ = 0, ▽ = 0, ▽ = 0, ▽ = 0, ▽ = 0, ▽ = 0, ▽ = 0, ▽ = 0

DIMENSION UNITS: mm  
 SCALE: 2:1

GENERAL TOLERANCES (UNLESS SPECIFIED):  
 ANGULAR TOL ± 1.0°  
 4 PLACES ±  
 3 PLACES ±  
 2 PLACES ± 0.05  
 1 PLACE ± 0.3  
 0 PLACES ± 0.5

DRAFT WHERE APPLICABLE MUST REMAIN WITHIN DIMENSIONS

THIRD ANGLE PROJECTION:

DRAWING: B-SIZE  
 SERIES: 120069

EC NO: 639637  
 DRWN: SSM 2020/06/11  
 CHK'D: RSILLER 2020/06/17  
 APPR: RSILLER 2020/06/17

INITIAL REVISION:  
 DRWN: AKONDRACIUK 2015/09/10  
 APPR: MIWASIECZKO 2015/09/29

PRODUCT CUSTOMER DRAWING

DOCUMENT NUMBER: SD-120069-035  
 DOC TYPE: PSD  
 DOC PART: 001  
 REVISION: A2

MATERIAL NUMBER: SEE SHEET 2  
 CUSTOMER: GENERAL MARKET  
 SHEET NUMBER: 1 OF 2

# ENGINEERING MATRIX

8 0 X S 0 0 X X X X X X X X X X

OPTIONAL

88=Micro-Change  
M12x1  
Single ended

Poles:  
3=3  
4=4  
5=5

Shielded Female Straight

Cable type: See table

Units : Meter

Length examples:  
005=0.5  
010=1  
100=10

Overmold color:  
Blank=BK TPU  
Blank=YE for cables A09, S19, S20, S26  
Blank=YE TPE-E for cables K03, K05  
A=GY | G= BK | Y= YE

Coupling Nut:  
Blank (Standard)=Knurled Brass Ni Plated  
1=Hexagonal Stainless steel

H= 2pcs. of I/D Carrier

Cables lxx & P82 always with 2 pcs. of I/D Carrier even if no H in Engineering No.

## CABLE LIST

| CABLE TYPE | CABLE O.D.     | NO. OF WIRES | CROSS SECTION       | CABLE JACKET   | UL           | CSA                   | STATIC: TEMP. / BENDING RADIUS | DYNAMIC: TEMP. / BENDING RADIUS | DRAG CHAIN | SHIELD |
|------------|----------------|--------------|---------------------|----------------|--------------|-----------------------|--------------------------------|---------------------------------|------------|--------|
| I26        | 6.2mm          | 5            | 0.34mm <sup>2</sup> | PVC CEI GREY   | -            | -                     | -30°C to +70°C                 | -5°C to +70°C                   | -          | YES    |
| S20        | 6.3/6.3/6.5 mm | 3 / 4 / 5    | 0.34mm <sup>2</sup> | PVC YELLOW     | UL 2661/1731 | C22.2 II A 105°C/300V | -30°C to +105°C                | -                               | -          | YES    |
| P20        | 5.2/5.5/6.0 mm | 3 / 4 / 5    | 0.34mm <sup>2</sup> | PUR BLACK LSOH | -            | -                     | -40°C to +90°C                 | -25°C to +90°C                  | -          | YES    |
| S26        | 6.2 mm         | 5            | 0.34mm <sup>2</sup> | PVC YELLOW     | UL 2661/1731 | C22.2 II A 105°C/300V | -30°C to +105°C                | -                               | -          | YES    |

## PART LIST

| No. | Part No.   | Engineering No. | Cable Length | No. | Part No.   | Engineering No. | Cable Length | No. | Part No.   | Engineering No. | Cable Length |
|-----|------------|-----------------|--------------|-----|------------|-----------------|--------------|-----|------------|-----------------|--------------|
| 1   | 1200100084 | 803S00P20M030   | 3000         | 21  | 1200698164 | 804S00S20M100   | 10000        | 41  | 1200698145 | 805S00P20M020G  | 2000         |
| 2   | 1200100127 | 803S00S20M100   | 10000        | 22  | 1200698165 | 804S00S20M150   | 15000        | 42  | 1200698158 | 805S00I26M100   | 10000        |
| 3   | 1200698007 | 803S00P20M020   | 2000         | 23  | 1200698166 | 804S00S20M200   | 20000        | 43  | 1200698159 | 805S00I26M250   | 25000        |
| 4   | 1200698008 | 803S00P20M050   | 5000         | 24  | 1200698319 | 804S00P20M050Y  | 5000         | 44  | 1200698398 | 805S00P20M010   | 1000         |
| 5   | 1200698009 | 803S00P20M100   | 10000        | 25  | 1200698348 | 804S00P20M060   | 6000         | 45  | 1200698484 | 805S00P20M100H  | 10000        |
| 6   | 1200698426 | 803S00S20M200   | 20000        | 26  | 1200698445 | 804S00P20M010   | 1000         | 46  | 1200698753 | 805S00P20M0501  | 5000         |
| 7   | 1200100007 | 804S00P20M020   | 2000         | 27  | 1200699460 | 804S00S20M040   | 4000         | 47  | 1200698754 | 805S00P20M1501  | 15000        |
| 8   | 1200100008 | 804S00P20M050   | 5000         | 28  | 1200699499 | 804S00S20M050   | 5000         | 48  | 1200699414 | 805S00P20M600   | 60000        |
| 9   | 1200100009 | 804S00P20M250   | 25000        | 29  | 1200699626 | 804S00P20M300   | 30000        | 49  | 1200699416 | 805S00P20M030   | 3000         |
| 10  | 1200100043 | 804S00P20M100   | 10000        | 30  | 1200100014 | 805S00P20M100   | 10000        | 50  |            |                 |              |
| 11  | 1200100096 | 804S00P20M070   | 7000         | 31  | 1200100048 | 805S00P20M050   | 5000         |     |            |                 |              |
| 12  | 1200100198 | 804S00S20M030   | 3000         | 32  | 1200100081 | 805S00P20M150   | 15000        |     |            |                 |              |
| 13  | 1200698013 | 804S00P20M040   | 4000         | 33  | 1200698002 | 805S00P20M015   | 1500         |     |            |                 |              |
| 14  | 1200698014 | 804S00P20M150   | 15000        | 34  | 1200698018 | 805S00P20K001   | 100000       |     |            |                 |              |
| 15  | 1200698015 | 804S00S20M070   | 7000         | 35  | 1200698019 | 805S00S26M010   | 1000         |     |            |                 |              |
| 16  | 1200698053 | 804S00P20M200   | 20000        | 36  | 1200698020 | 805S00S26M020   | 2000         |     |            |                 |              |
| 17  | 1200698070 | 804S00P20M0501  | 5000         | 37  | 1200698055 | 805S00P20M020   | 2000         |     |            |                 |              |
| 18  | 1200698071 | 804S00P20M400   | 40000        | 38  | 1200698059 | 805S00S26M006   | 600          |     |            |                 |              |
| 19  | 1200698086 | 804S00P20M030   | 3000         | 39  | 1200698125 | 805S00S26M050   | 5000         |     |            |                 |              |
| 20  | 1200698156 | 804S00S20M0501  | 5000         | 40  | 1200698126 | 805S00S26M150   | 15000        |     |            |                 |              |

|  |   |  |       |                        |  |         |            |                |  |                 |                |  |            |  |
|--|---|--|-------|------------------------|--|---------|------------|----------------|--|-----------------|----------------|--|------------|--|
| SYMBOLS  | THIS DRAWING CONTAINS INFORMATION THAT IS PROPRIETARY TO MOLEX ELECTRONIC TECHNOLOGIES, LLC AND SHOULD NOT BE USED WITHOUT WRITTEN PERMISSION |  |       |                        |  |         |            |                |  |                 |                |  |            |  |
|  | DIMENSION UNITS   |  | SCALE |                        | CURRENT REV DESC:  |         |            |                |  |                 |                |  |            |  |
|  | mm  |  | 1:1   |                        | <b>molex</b><br>CSE M12 XP AC FE STR<br>XXX XM SE SHLD<br>PRODUCT CUSTOMER DRAWING |         |            |                |  |                 |                |  |            |  |
|  | GENERAL TOLERANCES (UNLESS SPECIFIED)   |  |       |                        |  |         |            |                |  |                 | EC NO: 639637  |  | 2020/06/11 |  |
|  | ANGULAR TOL ± 1.0°  |  |       |                        |  |         |            |                |  |                 | DRWN: SSM      |  | 2020/06/17 |  |
|  | 4 PLACES ±  |  |       |                        |  |         |            |                |  |                 | CHK'D: RSILLER |  | 2020/06/17 |  |
|  | 3 PLACES ±  |  |       |                        | APPR: RSILLER  |         | 2020/06/17 |                |  |                 |                |  |            |  |
|  | 2 PLACES ± 0.05   |  |       |                        | INITIAL REVISION:  |         |            |                |  |                 |                |  |            |  |
|  | 1 PLACE ± 0.3   |  |       |                        | DRWN: AKONDRACIUK  |         | 2015/09/10 |                |  |                 |                |  |            |  |
|  | 0 PLACES ± 0.5  |  |       |                        | APPR: MIWASIECZKO  |         | 2015/09/29 |                |  |                 |                |  |            |  |
| DRAFT WHERE APPLICABLE MUST REMAIN WITHIN DIMENSIONS |   |  |       | THIRD ANGLE PROJECTION |  | DRAWING |            | SERIES         |  | MATERIAL NUMBER |                |  |            |  |
|  |   |  |       | B-SIZE                 |  | 120069  |            | SEE PART LIST  |  | CUSTOMER        |                |  |            |  |
|  |   |  |       |                        |  |         |            | GENERAL MARKET |  | SHEET NUMBER    |                |  |            |  |
|  |   |  |       |                        |  |         |            |                |  | 2 OF 2          |                |  |            |  |