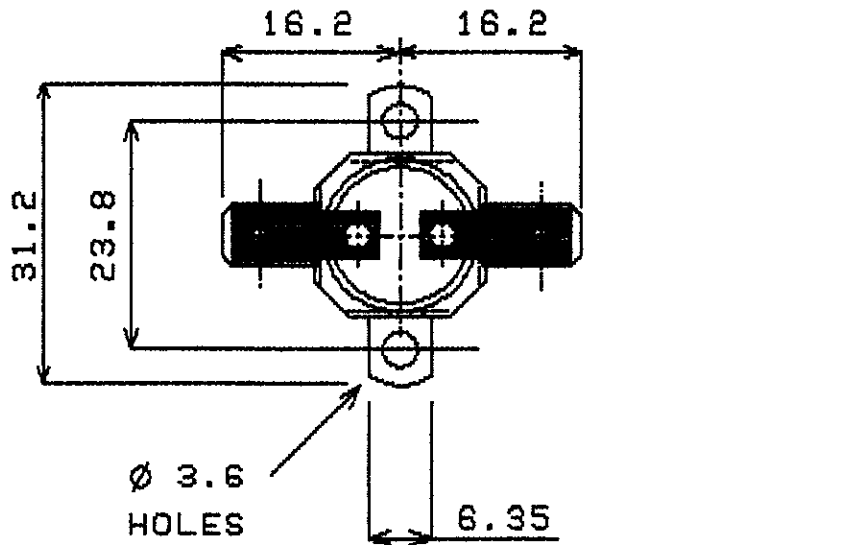


DO NOT SCALE ALL DIMENSIONS ARE FOR REFERENCE ONLY

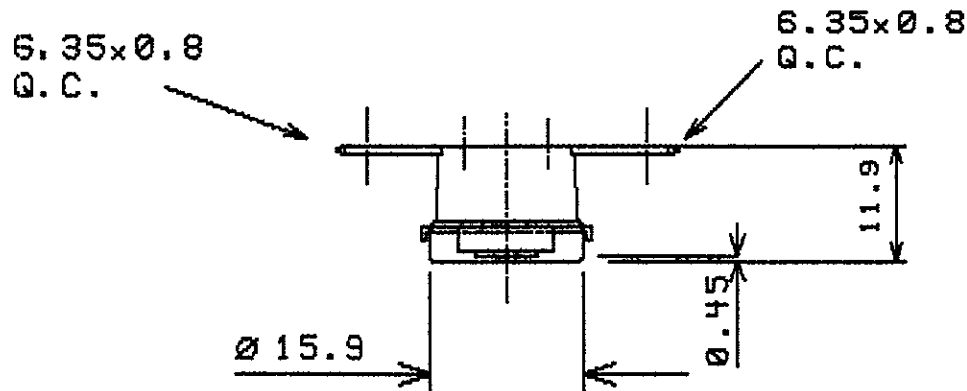
OPERATING CRITERIA



VOLTS: 240 AMPS: 10 HZ:

OPERATING TEMPS. DEG. C

OPEN: 60 ± 3
CLOSE: 45 ± 5



NOTE: ORIENTATION OF BRACKET IS NOT FIXED

ISSUE	A	B							
MOD No	0052	0050							
MTH/YR	3/97	7/98							

CODING REQUIREMENTS

COLOUR: LASER CODE
L60C RP 9100 434XXX

(XXX = DATE CODING)

CAP: 5200 MAT'L: ALUMINIUM
BRK'T: B2036 MAT'L: STEEL
PLATING: NICKEL
TERMINAL: T146 T146
MATERIAL: BRASS BRASS
PLATING:

ELMWOOD DEVICE & UNIQUE PART No
2455RP-9100-434

ELMWOOD DRG No.
965202

ISSUE
- B



ELMWOOD
SENSORS LTD

DATE OF ISSUE STAMP

17 JUL 1998