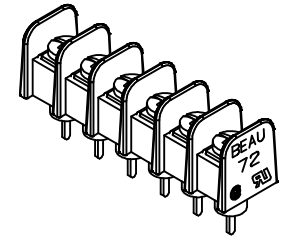
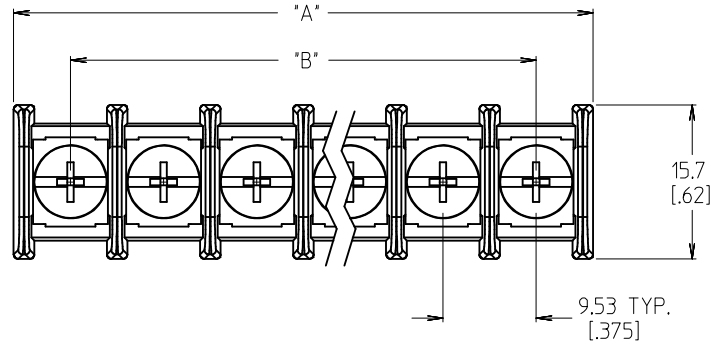
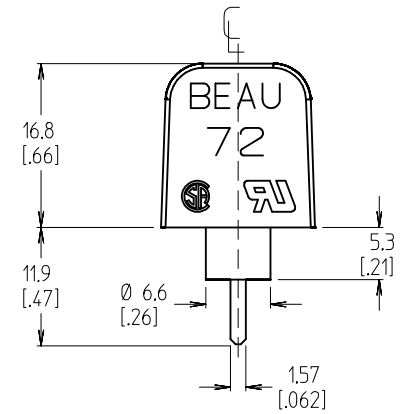
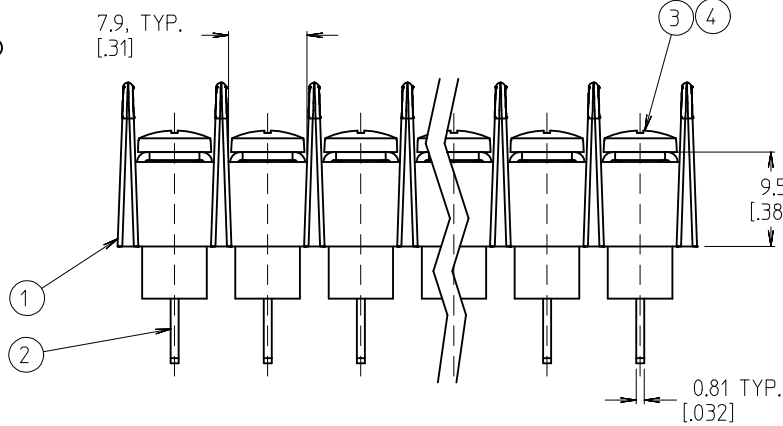
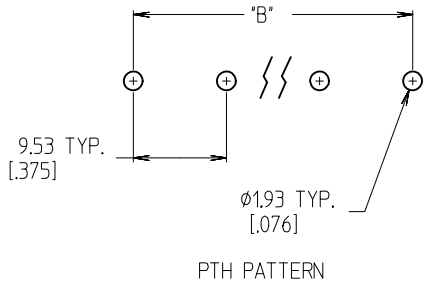


REF. -50 OPT. SCREW
(WHERE APPLICABLE)



AUX. VIEW
SCALE 1:1
(6 CIRCUIT SHOWN)



NOTES:

1. MATERIAL: SEE TABLE
2. FINISH: SEE TABLE
3. INCH DIMS ARE SHOWN IN BRACKETS [XXX].
4. "XX" REFERS TO THE QUANTITY OF CIRCUITS.
5. ALL COMPONENTS ARE ROHS COMPLIANT.

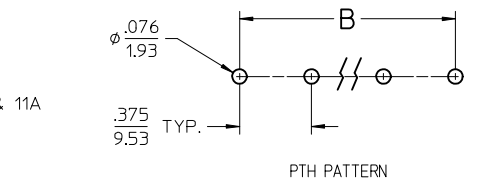
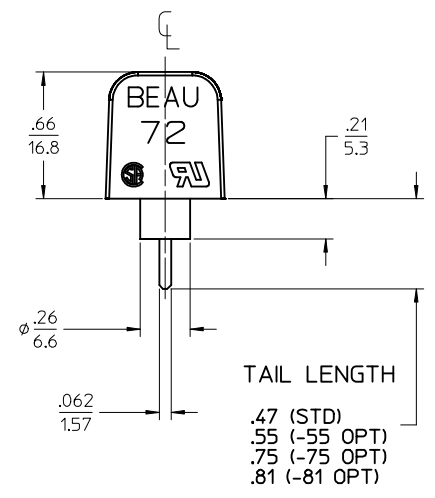
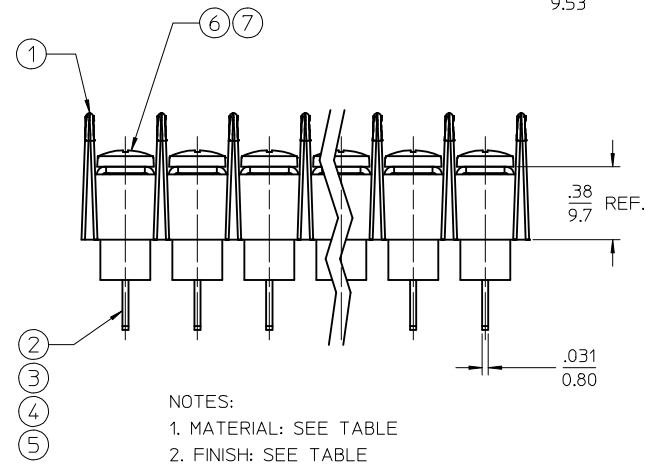
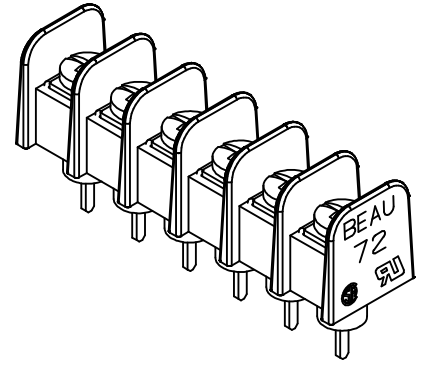
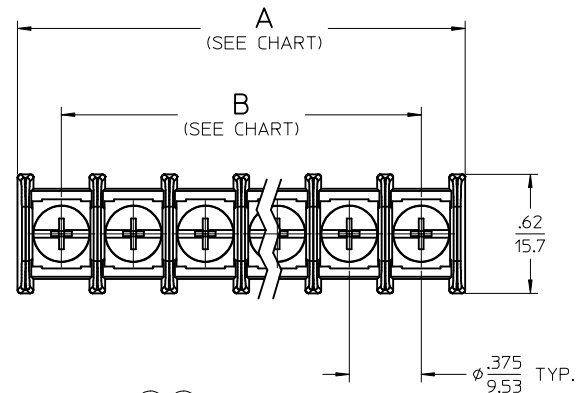
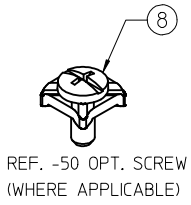
| | | | | |
|------|------|-------------------------------------|----------|--------------------|
| 5 | XX | SCREW&WASHER, #6-32 PH/SL (-50 OPT) | STEEL | ZN, CLEAR CHROMATE |
| 4 | XX | SCREW, #6-32 PH/SL (-49 OPT) | BRASS | NICKEL PLATE |
| 3 | XX | SCREW, #6-32 PH/SL (STANDARD) | STEEL | ZN, CLEAR CHROMATE |
| 2 | XX | TERMINAL, WIRE WRAP | BRASS | TIN PLATE |
| 1 | 1 | INSULATOR | PBT, GF | BLACK |
| ITEM | QTY. | DESCRIPTION | MATERIAL | FINISH |

| | | | | | | | | |
|--|----------------------|--|---|-----------------|---|--------------|---|--|
| INITIAL RELEASE EC NO: ETC2006-0481 DRAWN BY: C. YORK 2006/06/05 CHKD: RDEROSS 2006/06/07 APPR: RDEROSS 2006/06/07 | DESCRIPTION REV A | QUALITY SYMBOLS | GENERAL TOLERANCES (UNLESS SPECIFIED) | DIMENSION STYLE | SCALE | DESIGN UNITS | THIRD ANGLE PROJECTION | |
| | | ▼=0 ▽=0 | mm INCH 4 PLACES ± --- ± --- 3 PLACES ± --- ± .005 2 PLACES ± 0.13 ± .01 1 PLACE ± 0.3 ± --- ANGULAR ± 2 ° | MM/IN | 2:1 | INCH | DRAWN BY: C. YORK DATE: 2006/06/02 CHECKED BY: R. DEROSS DATE: 2006/06/02 APPROVED BY: R. DEROSS DATE: 2006/06/02 MATERIAL NO. | TITLE: 9.53 [0.375]" SR BTS, PC INSUL ASSY, NO MTG. Molex MOLEX INCORPORATED DOCUMENT NO. SD-38720-009 SHEET NO. 1 OF 2 |
| | | DRAFT WHERE APPLICABLE MUST REMAIN WITHIN DIMENSIONS | | SEE SHT. 2 | THIS DRAWING CONTAINS INFORMATION THAT IS PROPRIETARY TO MOLEX INCORPORATED AND SHOULD NOT BE USED WITHOUT WRITTEN PERMISSION | | | |
| | | SIZE B | | | | | | |

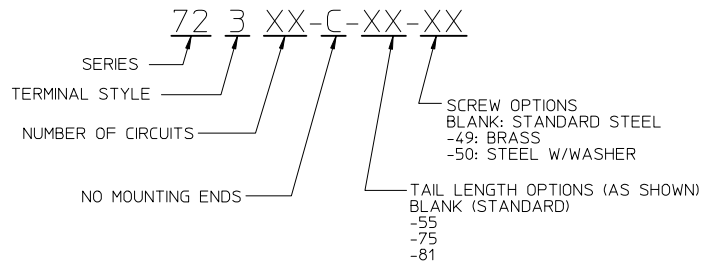
| # OF CIRCUITS "XX" | DIM. "A" | | DIM. "B" | | ASSEMBLY MATERIAL NO. (-C OPT) | ASSEMBLY MATERIAL NO. (-C-49 OPT) | ASSEMBLY MATERIAL NO. (-C-50 OPT) |
|--------------------|----------|------|----------|-------|--------------------------------|-----------------------------------|-----------------------------------|
| | mm | in | mm | in | | | |
| 02 | 21.1 | 0.83 | 9.53 | 0.375 | 387204802 | 387205102 | 387205402 |
| 03 | 30.6 | 1.21 | 19.05 | 0.750 | 387204803 | 387205103 | 387205403 |
| 04 | 40.1 | 1.58 | 28.58 | 1.125 | 387204804 | 387205104 | 387205404 |
| 05 | 49.7 | 1.96 | 38.10 | 1.500 | 387204805 | 387205105 | 387205405 |
| 06 | 59.2 | 2.33 | 47.63 | 1.875 | 387204806 | 387205106 | 387205406 |
| 07 | 68.7 | 2.71 | 57.15 | 2.250 | 387204807 | 387205107 | 387205407 |
| 08 | 78.2 | 3.08 | 66.68 | 2.625 | 387204808 | 387205108 | 387205408 |
| 09 | 87.8 | 3.46 | 76.20 | 3.000 | 387204809 | 387205109 | 387205409 |
| 10 | 97.3 | 3.83 | 85.73 | 3.375 | 387204810 | 387205110 | 387205410 |
| 11 | 106.8 | 4.21 | 95.25 | 3.750 | 387204811 | 387205111 | 387205411 |
| 12 | 116.3 | 4.58 | 104.78 | 4.125 | 387204812 | 387205112 | 387205412 |
| 13 | 125.9 | 4.96 | 114.30 | 4.500 | 387204813 | 387205113 | 387205413 |
| 14 | 135.4 | 5.33 | 123.83 | 4.875 | 387204814 | 387205114 | 387205414 |
| 15 | 144.9 | 5.71 | 133.35 | 5.250 | 387204815 | 387205115 | 387205415 |
| 16 | 154.4 | 6.08 | 142.88 | 5.625 | 387204816 | 387205116 | 387205416 |
| 17 | 164.0 | 6.46 | 152.40 | 6.000 | 387204817 | 387205117 | 387205417 |
| 18 | 173.5 | 6.83 | 161.93 | 6.375 | 387204818 | 387205118 | 387205418 |
| 19 | 183.0 | 7.21 | 171.45 | 6.750 | 387204819 | 387205119 | 387205419 |
| 20 | 192.5 | 7.58 | 180.98 | 7.125 | 387204820 | 387205120 | 387205420 |
| 21 | 202.1 | 7.96 | 190.50 | 7.500 | 387204821 | 387205121 | 387205421 |
| 22 | 211.6 | 8.33 | 200.03 | 7.875 | 387204822 | 387205122 | 387205422 |
| 23 | 221.1 | 8.71 | 209.55 | 8.250 | 387204823 | 387205123 | 387205423 |
| 24 | 230.6 | 9.08 | 219.08 | 8.625 | 387204824 | 387205124 | 387205424 |
| 25 | 240.2 | 9.46 | 228.60 | 9.000 | 387204825 | 387205125 | 387205425 |
| 26 | 249.7 | 9.83 | 238.13 | 9.375 | 387204826 | 387205126 | 387205426 |

| | | | | | | |
|---|--|---------------------------------------|---|--|--------------|------------------------|
| SEE SHEET 1 EC NO: ETC2006-0481 DRAWN BY: C. YORK CHKD: RDEROSS APPR: RDEROSS 2006/06/05 2006/06/07 2006/06/07 | QUALITY SYMBOLS | GENERAL TOLERANCES (UNLESS SPECIFIED) | DIMENSION STYLE | SCALE | DESIGN UNITS | THIRD ANGLE PROJECTION |
| | $\nabla=0$ $\nabla=0$ | mm INCH | MM/IN | 2:1 | INCH | |
| | | 4 PLACES ± --- ± --- | DRAWN BY DATE | TITLE 9.53 [.375"] SR BTS, PC INSUL ASSY, NO MTG. | | |
| | | 3 PLACES ± --- ± .005 | C. YORK 2006/06/02 | | | |
| | | 2 PLACES ± 0.13 ± .01 | CHECKED BY DATE | MOLEX INCORPORATED | | |
| | 1 PLACE ± 0.3 ± --- | R. DEROSS 2006/06/02 | | | | |
| | ANGULAR ± 2 ° | APPROVED BY DATE | DOCUMENT NO. | SHEET NO. | | |
| | | R. DEROSS 2006/06/02 | SD-38720-009 | 2 OF 2 | | |
| | DRAFT WHERE APPLICABLE MUST REMAIN WITHIN DIMENSIONS | MATERIAL NO. | THIS DRAWING CONTAINS INFORMATION THAT IS PROPRIETARY TO MOLEX INCORPORATED AND SHOULD NOT BE USED WITHOUT WRITTEN PERMISSION | | | |
| | | SIZE B | | | | |

| | NUMBER OF CIRCUITS "XX" | DIM. A | | DIM. B | |
|----|-------------------------|--------|-------|--------|----|
| | | IN | MM | IN | MM |
| 02 | .83 | 21.1 | .375 | 9.53 | |
| 03 | 1.21 | 30.7 | .750 | 19.05 | |
| 04 | 1.58 | 40.1 | 1.125 | 28.58 | |
| 05 | 1.96 | 49.8 | 1.500 | 38.10 | |
| 06 | 2.33 | 59.2 | 1.875 | 47.63 | |
| 07 | 2.71 | 68.8 | 2.250 | 57.15 | |
| 08 | 3.08 | 78.2 | 2.625 | 66.68 | |
| 09 | 3.46 | 87.8 | 3.000 | 76.20 | |
| 10 | 3.83 | 97.3 | 3.375 | 85.73 | |
| 11 | 4.21 | 106.9 | 3.750 | 95.25 | |
| 12 | 4.58 | 116.3 | 4.125 | 104.78 | |
| 13 | 4.96 | 126.0 | 4.500 | 114.30 | |
| 14 | 5.33 | 135.4 | 4.875 | 123.83 | |
| 15 | 5.71 | 145.0 | 5.250 | 133.35 | |
| 16 | 6.08 | 154.4 | 5.625 | 142.88 | |
| 17 | 6.46 | 164.0 | 6.000 | 152.40 | |
| 18 | 6.84 | 173.7 | 6.375 | 161.93 | |
| 19 | 7.21 | 183.1 | 6.750 | 171.45 | |
| 20 | 7.58 | 192.5 | 7.125 | 180.98 | |
| 21 | 7.96 | 202.2 | 7.500 | 190.50 | |
| 22 | 8.33 | 211.6 | 7.875 | 200.03 | |
| 23 | 8.71 | 221.2 | 8.250 | 209.55 | |
| 24 | 9.08 | 230.6 | 8.625 | 219.08 | |
| 25 | 9.46 | 240.3 | 9.000 | 228.60 | |
| 26 | 9.83 | 250.0 | 9.375 | 238.13 | |



ENGINEERING NUMBER LEGEND (OLD MATERIAL NO.)



- NOTES:**
1. MATERIAL: SEE TABLE
 2. FINISH: SEE TABLE
 3. ELECTRICAL SPECS:
MAX VOLTAGE: 300V (BINDING HD, 14 AWG)
MAX CURRENT: 15A
 4. REFER TO SD-38120-001 FOR IMPRINT OPTION 10A & 11A
 5. PRODUCT SPEC: PS-38710-001
 6. SCREW TIGHTENING TORQUE: 12 IN LBS. (MAX)
 7. WIRE STRIP LENGTH: .31 (7.8mm)
 8. PART IS RoHS COMPLIANT

REF. THIS DRAWING SUPERSEDES SD-38720-009 REV-A (ME10 DOC)

| ITEM | QTY. | DESCRIPTION | MATERIAL | FINISH |
|------|------|---------------------------------------|----------|-------------------|
| 8 | XX | SCREW & WASHER, #6-32 PH/SL (-50 OPT) | STEEL | CLEAR ZN CHROMATE |
| 7 | XX | SCREW, #6-32 PH/SL, -49 OPT | BRASS | NICKEL PLATED |
| 6 | XX | SCREW, #6-32 PH/SL, | STEEL | CLEAR ZN CHROMATE |
| 5 | XX | TERMINAL, WIRE WRAP (-81 OPT) | BRASS | TIN PLATED |
| 4 | XX | TERMINAL, WIRE WRAP (-75 OPT) | BRASS | TIN PLATED |
| 3 | XX | TERMINAL, WIRE WRAP (-55 OPT) | BRASS | TIN PLATED |
| 2 | XX | TERMINAL, WIRE WRAP (.47 STD) | BRASS | TIN PLATED |
| 1 | 1 | INSULATOR | PBT | BLACK |

| | | | | | | | | | |
|--|--------------------------------------|--|--|--|--|---|-----------------------------|------------------------|----------------------------|
| REDRAWN EC NO: IFC2016-1570 DRAWN BY: DRWINRSTONE 2016/05/20 CHKD BY: ZIELINSKI 2016/05/24 APPR: BRUPERT 2016/05/26 | QUALITY SYMBOLS ▽=0 ▽=0 | GENERAL TOLERANCES (UNLESS SPECIFIED) | | DIMENSION STYLE IN/MM | | SCALE 2:1 | DESIGN UNITS INCH | THIRD ANGLE PROJECTION | |
| | | 4 PLACES ± --- ± --- 3 PLACES ± --- ± .005 2 PLACES ± 0.13 ± .01 1 PLACE ± 0.3 ± --- 0 PLACE ± --- ± --- | | DRAWN BY: RSTONE DATE: 2016/05/20 CHECKED BY: M ZIELINSKI DATE: 2016/05/24 APPROVED BY: BRUPERT DATE: 2016/05/26 | | TITLE SR, BTS, PC, INSULATED NO MOUNTING ENDS .375 (9.53MM) | | | |
| | | ANGULAR ± --- ° | | MATERIAL NO. SEE TABLE | | DOCUMENT NO. SD-38720-015 | | | SHEET NO. 1 OF 1 |
| | | DRAFT WHERE APPLICABLE MUST REMAIN WITHIN DIMENSIONS | | | | | | | |

THIS DRAWING CONTAINS INFORMATION THAT IS PROPRIETARY TO MOLEX INCORPORATED AND SHOULD NOT BE USED WITHOUT WRITTEN PERMISSION