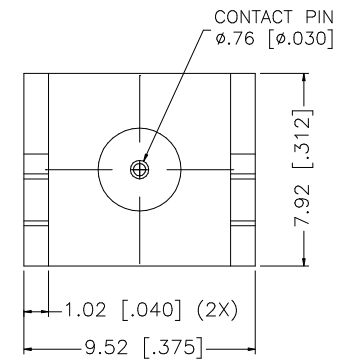
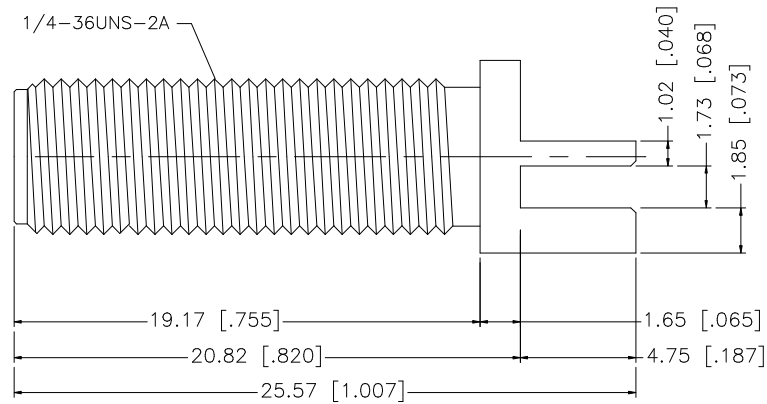
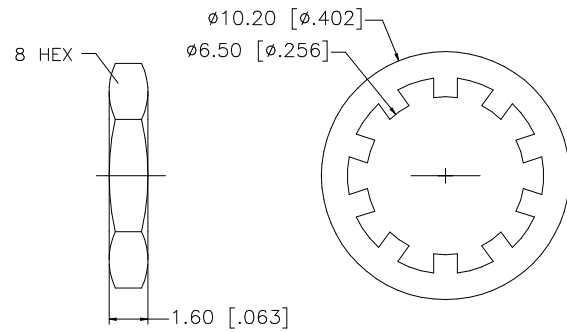


REV.	DATE	DESCRIPTION
NC	12/01/05	INITIAL RELEASE



NOTE:

1. MAX. BOARD THICKNESS = 1.57mm

DESCRIPTION	MATERIAL	FINISH	QTY	UNLESS OTHERWISE SPECIFIED DIMENSIONS ARE IN MILLIMETERS. DIMENSIONS IN [] ARE IN INCHES AND FOR CUSTOMER REFERENCE ONLY.	APPROVALS	DATE	Amphenol Connex					
8				UNLESS OTHERWISE SPECIFIED TOLERANCES FOR MILLIMETERS ARE: 0.5 - 8mm ± 0.20mm 8 - 30mm ± 0.40mm 30 - 120mm ± 0.50mm UNLESS OTHERWISE SPECIFIED TOLERANCES FOR INCHES ARE: .020 - .315 = ± 0.007" .315 - 1.180 = ± 0.015" 1.180 - 4.724 = ± 0.020"	DRAWN	G.R.S.	12/01/05	PART DESCRIPTION				
7			CHECKED				SMA END LAUNCH RECEPTACLE JACK					
6					ISSUED						PART NO.	
5	HEX NUT	BRASS	GOLD		1	SHEET	1 OF 1	132371				
4	LOCK WASHER	BRASS	GOLD	1	CAD FILE		DWG. NO. 132371.DWG					
3	CONTACT PIN	BER. COPPER	GOLD	1	C:/132/132371.DWG					REV.	NC	SIZE
2	INSULATOR	TEFLON	NATURAL	1	DO NOT SCALE DRAWING							
1	BODY	BRASS	GOLD	1								