

FB-MUX/HS/AI/PA - Multiplexer



1005331

<https://www.phoenixcontact.com/us/products/1005331>

Please be informed that the data shown in this PDF document is generated from our online catalog. Please find the complete data in the user documentation. Our general terms of use for downloads are valid.



The FB-MUX/HS/AI/PA head station can be used with up to five 4-channel analog input modules (RAD-AI4-IFS), five 4-channel PT100 temperature sensing modules (PT100-4-IFS), or any combination of modules for a maximum of 20 channels. This configuration can be used as an analog input and temperature control solution.

Product description

The fieldbus PA multiplexer headstation allows the integration of standard Radioline I/O modules to a Profibus PA network. The FB-MUX/HS/PA has five profile software versions for different IO configurations.

Your advantages

- IECEx CoC
- Suitable for ATEX Zone 2
- Connection of all I/O field signals with standard PROFIBUS PA cable
- UL listed
- No software needed thanks to a pre-configured head station
- Five application-specific head stations allow simple implementation in the field
- Easy integration into host system with an EDD-, GSD-, or DTM-data file
- Scalable according to application needs

Commercial data

Item number	1005331
Packing unit	1 pc
Sales key	DN11
Product key	DNC135
Catalog page	Page 461 (C-6-2019)
GTIN	4055626475776
Weight per piece (including packing)	181.8 g
Weight per piece (excluding packing)	181.8 g
Customs tariff number	85176200
Country of origin	US

Technical data

Notes

Utilization restriction

CCCex note	Use in potentially explosive areas is not permitted in China.
------------	---

Product properties

Product type	Interface converter
--------------	---------------------

Insulation characteristics

Overvoltage category	II
Degree of pollution	2

Connection data

Connection method	Screw connection
Stripping length	7 mm
Screw thread	M3
Conductor cross section rigid	0.2 mm ² ... 2.5 mm ²
Conductor cross section flexible	0.2 mm ² ... 2.5 mm ²
Conductor cross section AWG	24 ... 14
Tightening torque	0.5 Nm ... 0.6 Nm

Interfaces

Data: PROFIBUS PA

Number of connections	1
Connection method	Terminal block

Dimensions

Width	17.5 mm
Height	114.5 mm
Depth	99 mm

Material specifications

Flammability rating according to UL 94	V0
Housing material	PA 6.6-FR

Environmental and real-life conditions

Ambient conditions

Degree of protection	IP20
Ambient temperature (operation)	-40 °C ... 70 °C
Ambient temperature (storage/transport)	-40 °C ... 85 °C
Altitude	< 2000 m
Permissible humidity (operation)	20 % ... 95 % (non-condensing)

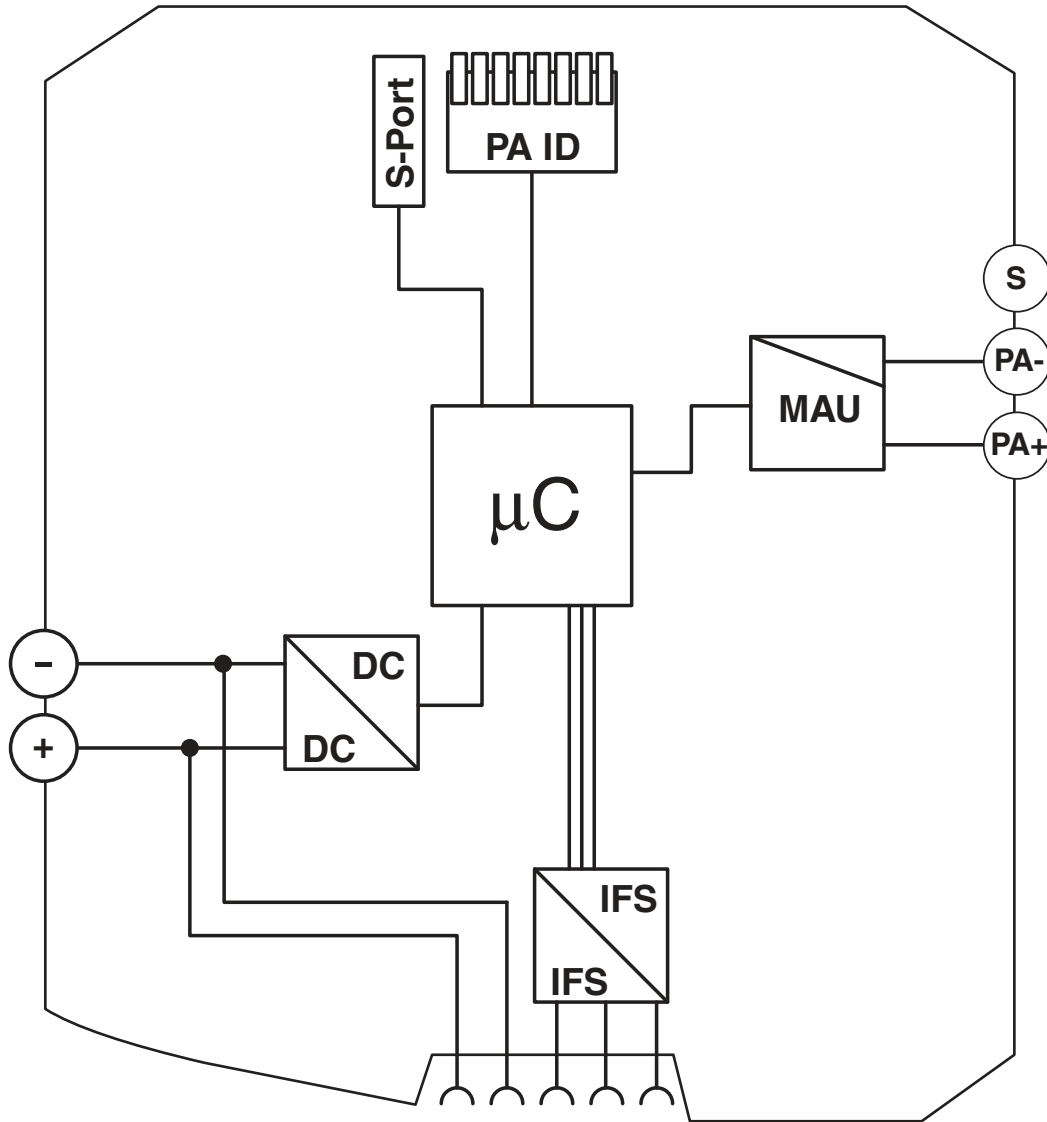
FB-MUX/HS/AI/PA - Multiplexer

1005331

<https://www.phoenixcontact.com/us/products/1005331>

Drawings

Block diagram



1005331

<https://www.phoenixcontact.com/us/products/1005331>

Approvals

To download certificates, visit the product detail page: <https://www.phoenixcontact.com/us/products/1005331>



UL Listed

Approval ID: FILE E 238705



cUL Listed

Approval ID: FILE E 238705



IECEX

Approval ID: IECEX IBE 17.0029X



cUL Listed

Approval ID: FILE E 358724



UL Listed

Approval ID: FILE E 358724



ATEX

Approval ID: IBExU17ATEXB011 X

cULus Listed

cULus Listed

FB-MUX/HS/AI/PA - Multiplexer



1005331

<https://www.phoenixcontact.com/us/products/1005331>

Classifications

ECLASS

ECLASS-11.0	19179090
ECLASS-12.0	19179090
ECLASS-13.0	19179090

ETIM

ETIM 8.0	EC002608
----------	----------

UNSPSC

UNSPSC 21.0	43222600
-------------	----------

FB-MUX/HS/AI/PA - Multiplexer

1005331

<https://www.phoenixcontact.com/us/products/1005331>



Environmental product compliance

REACH SVHC

Lead 7439-92-1

FB-MUX/HS/AI/PA - Multiplexer



1005331

<https://www.phoenixcontact.com/us/products/1005331>

Accessories

RAD-PT100-4-IFS - I/O extension module

2904035

<https://www.phoenixcontact.com/us/products/2904035>



Radioline - I/O extension module, 4 Pt 100 inputs (-50°C ... +250°C / -58 °F ... 482 °F)

RAD-AI4-IFS - I/O extension module

2901537

<https://www.phoenixcontact.com/us/products/2901537>



Radioline - I/O extension module, 4 analog current inputs (0/4 mA ... 20 mA)

Phoenix Contact 2023 © - all rights reserved

<https://www.phoenixcontact.com>

Phoenix Contact USA

586 Fulling Mill Road

Middletown, PA 17057, United States

(+717) 944-1300

info@phoenixcon.com