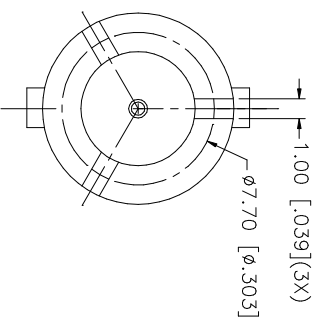
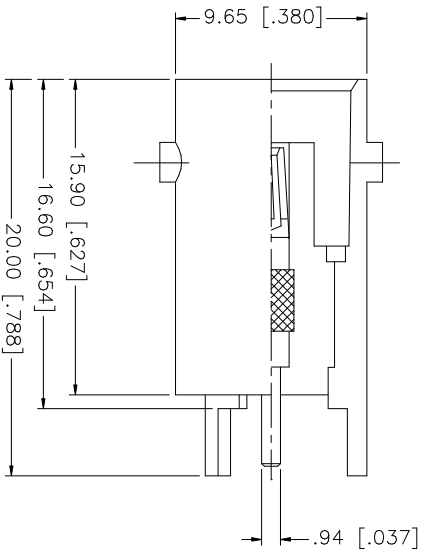
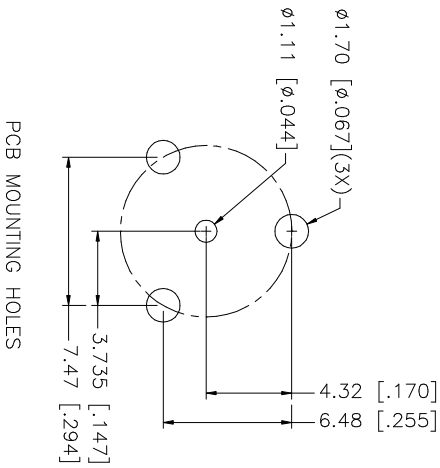


REV.	DATE	DESCRIPTION
A	01/07/04	UPDATE DRAWING FORMAT



8																							
7																							
6																							
5																							
4																							
3	CONTACT PIN	PHOS. BRONZE	GOLD	1																			
2	INSULATOR	TEFLON	NATURAL	1																			
1	BODY	BRASS	NICKEL	1																			
	DESCRIPTION	MATERIAL	FINISH	QTY																			
<p>UNLESS OTHERWISE SPECIFIED DIMENSIONS ARE IN MILLIMETERS. DIMENSIONS IN [] ARE IN INCHES AND FOR CUSTOMER REFERENCE ONLY.</p> <p>UNLESS OTHERWISE SPECIFIED TOLERANCES FOR MILLIMETERS ARE:</p> <p>0.5 - 8mm ± 0.20mm 8 - 30mm ± 0.40mm 30 - 120mm ± 0.50mm</p> <p>UNLESS OTHERWISE SPECIFIED TOLERANCES FOR INCHES ARE:</p> <p>.020 - .315 = ± 0.007" .315 - 1.180 = ± 0.015" 1.180 - 4.724 = ± 0.020"</p>										<p>DO NOT SCALE DRAWING</p>		<p>APPROVALS</p> <p>DRAWN G.R.S. DATE 01/07/04</p> <p>CHECKED</p> <p>ISSUED</p> <p>SHEET 1 OF 1</p>		<p>CAD FILE C:/112/112483.DWG</p>		<p>DWG. NO. 112483.DWG</p>		<p>REV. A</p>		<p>SIZE A</p>		<p>SCALE NA</p>	
<p>Amphenol Connex</p> <p>PART DESCRIPTION</p> <p>BNC PC MOUNT RECEIPT. JACK</p> <p>PART NO. 112483</p>																							