

# SMD Power Inductor



**ASPI-0804T**

Request Samples



Check Inventory



12.95 x 9.4 x 5.2 mm  
RoHS/RoHS II Compliant  
MSL Level = 2

## Features

- Very small foot print
- Flat-top for pick & place
- Increased size selection guide

## Applications

- Ideal for Palm-Top and Laptop DC to DC converters
- PDA's flash memory
- Step-up, step-down converters

## Electrical Specifications

PART NUMBER	INDUCTANCE (uH)	Tolerance	DCR (mΩ) max	IDC (A) max
ASPI-0804T-R68	0.68	M	8	11.00
ASPI-0804T-1R0	1.00	M	9	9.00
ASPI-0804T-1R2	1.20	M	10	8.50
ASPI-0804T-1R5	1.50	M	10	8.00
ASPI-0804T-1R8	1.80	M	11	7.50
ASPI-0804T-2R2	2.20	M	12	7.10
ASPI-0804T-2R7	2.70	M	14	6.60
ASPI-0804T-3R3	3.30	M	15	6.50
ASPI-0804T-4R7	4.70	M	18	5.50
ASPI-0804T-5R6	5.60	M	25	4.80
ASPI-0804T-7R0	6.80	M	27	4.70
ASPI-0804T-8R0	8.20	M	36	4.10
ASPI-0804T-100	10	M	38	3.90
ASPI-0804T-120	12	M	44	3.30
ASPI-0804T-150	15	M	46	3.10
ASPI-0804T-180	18	M	66	2.80
ASPI-0804T-220	22	M	85	2.60
ASPI-0804T-270	27	M	95	2.10
ASPI-0804T-330	33	M	100	2.00
ASPI-0804T-390	39	M	130	1.80
ASPI-0804T-470	47	M	140	1.70
ASPI-0804T-560	56	M	190	1.60
ASPI-0804T-680	68	M	200	1.50
ASPI-0804T-820	82	M	260	1.30
ASPI-0804T-101	100	M	280	1.25
ASPI-0804T-121	120	M	360	1.05
ASPI-0804T-151	150	M	400	1.05
ASPI-0804T-181	180	M	540	0.85
ASPI-0804T-221	220	M	610	0.82
ASPI-0804T-271	270	M	840	0.65
ASPI-0804T-331	330	M	1020	0.62
ASPI-0804T-391	390	M	1250	0.55
ASPI-0804T-471	470	M	1270	0.52
ASPI-0804T-561	560	M	1850	0.45
ASPI-0804T-681	680	M	2020	0.42
ASPI-0804T-821	820	M	2530	0.38
ASPI-0804T-102	1000	M	3000	0.35
ASPI-0804T-152	1500	M	6300	0.30
ASPI-0804T-222	2200	M	8200	0.24
ASPI-0804T-103	10000	M	3900	0.10

# SMD Power Inductor



**ASPI-0804T**

Request Samples



Check Inventory



12.95 x 9.4 x 5.2 mm  
**RoHS/RoHS II Compliant**  
MSL Level = 2

## Test Conditions

**Inductance:** 100kHz

**Isat:**  $\Delta L/L$  (initial)  $\geq$  -10%

## Operating Temperature

-40°C to +125°C

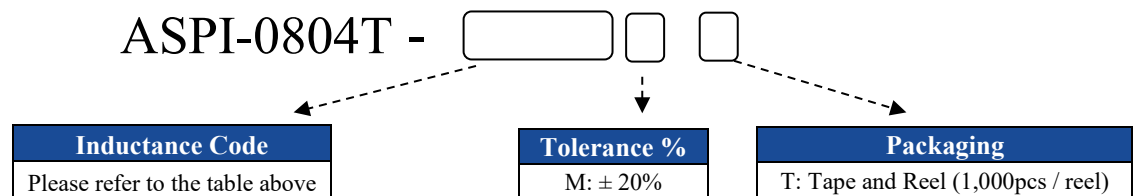
## Storage Temperature

+15°C to +28°C, Humidity < 80%RH (in original packaging)

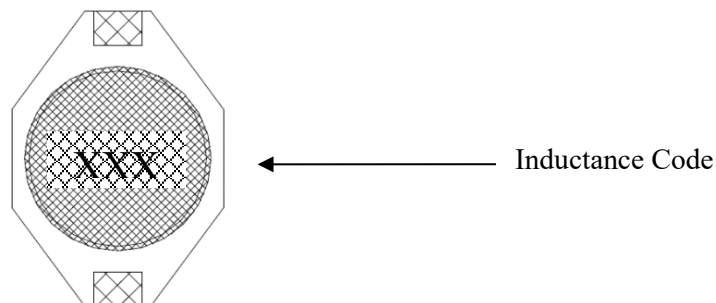
**ASPI-0804T is RoHS Compliant and Pb Free.**

**MSL level: 2**

## Part Number Identification



## Marking



**Marking Method = Ink**



5101 Hidden Creek Ln, Spicewood TX 78669  
Phone: 512-371-6159 Fax: 512-351-8858  
For terms and conditions of sales, please visit:  
[www.abracon.com](http://www.abracon.com)

**REVISION P : 4/1/2022**

ABRACON IS  
ISO9001-2015  
CERTIFIED

# SMD Power Inductor



**ASPI-0804T**

Request Samples

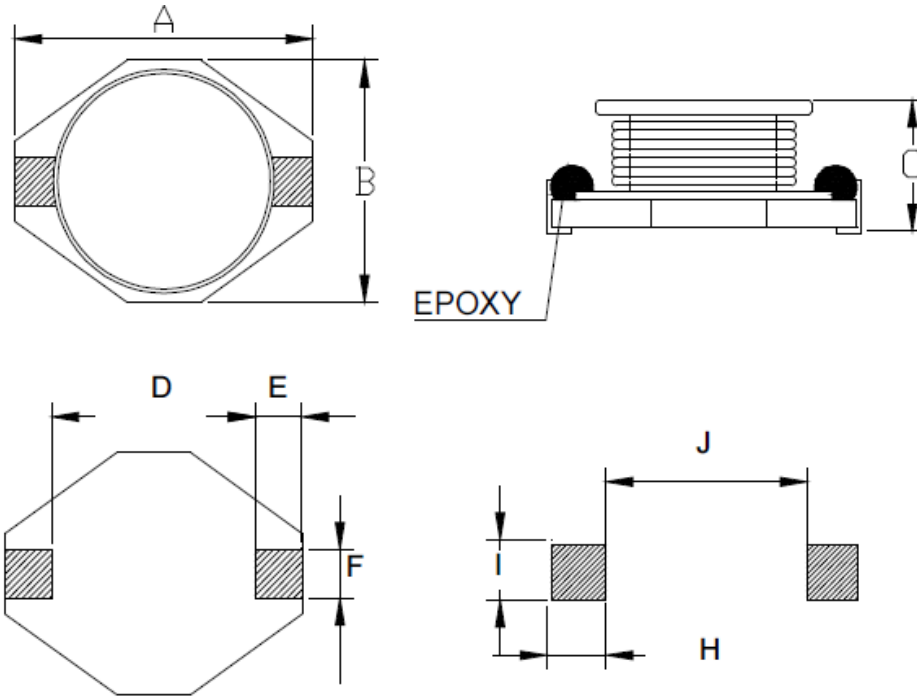


Check Inventory



12.95 x 9.4 x 5.2 mm  
**RoHS/RoHS II Compliant**  
 MSL Level = 2

## Mechanical Specifications



A max	B max	C max	D	E	F	H	I	J
12.95	9.40	5.21	7.62	2.54	2.54	2.79	2.92	7.37

Dimension: mm



**ASPI-0804T**

Request Samples

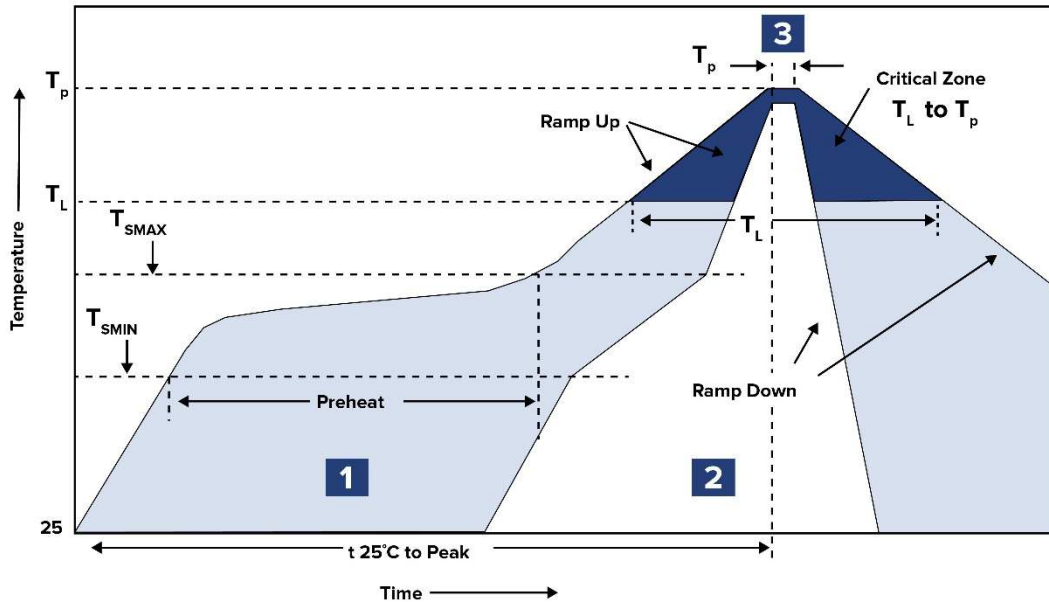


Check Inventory



12.95 x 9.4 x 5.2 mm  
**RoHS/RoHS II Compliant**  
 MSL Level = 2

## Reflow Profile



Zone	Description	Temperature	Times
1	Preheat	$T_{SMIN} \sim T_{SMAX}$ 120°C ~ 180°C	50 ~ 150 sec.
2	Reflow	$T_L$ 217°C	30 ~ 70 sec.
3	Peak heat	$T_P$ 250°C +5/-0°C	10 ~ 30 sec.

# SMD Power Inductor



**ASPI-0804T**

Request Samples



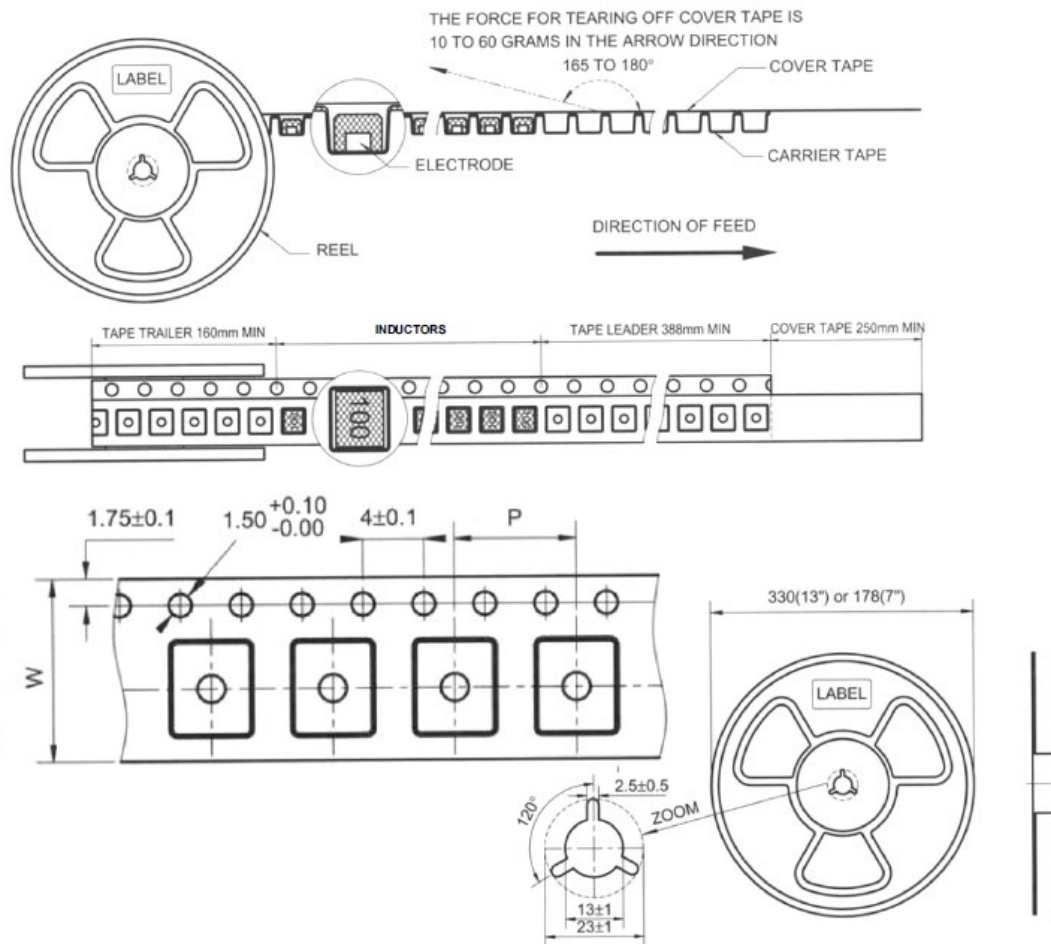
Check Inventory



12.95 x 9.4 x 5.2 mm  
**RoHS/RoHS II Compliant**  
 MSL Level = 2

## Packaging

**T: 1,000pcs / reel**



Tape Size		Parts Per Reel
W	P	13"
24	12	700

**Dimensions: mm**

**ATTENTION:** Abracon LLC's products are COTS – Commercial-Off-The-Shelf products; suitable for Commercial, Industrial and, where designated, Automotive Applications. Abracon's products are not specifically designed for Military, Aviation, Aerospace, Life-dependent Medical applications or any application requiring high reliability where component failure could result in loss of life and/or property. For applications requiring high reliability and/or presenting an extreme operating environment, written consent and authorization from Abracon LLC is required. Please contact Abracon LLC for more information.



5101 Hidden Creek Ln, Spicewood TX 78669  
 Phone: 512-371-6159 Fax: 512-351-8858  
 For terms and conditions of sales, please visit:  
[www.abracon.com](http://www.abracon.com)

**REVISION P : 4/1/2022**

ABRACON IS  
 ISO9001-2015  
 CERTIFIED