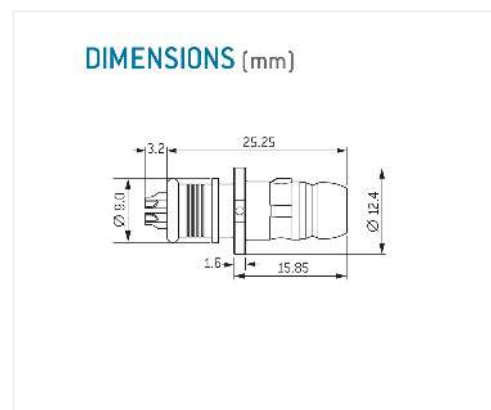
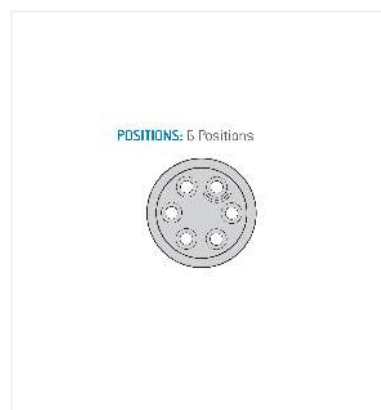
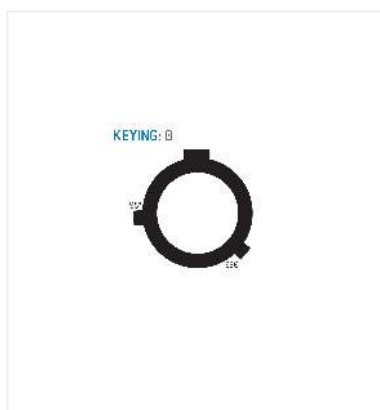


### General information

Part number	A16NOP-P06X230-0000
Termination	solder
Size	6 (STANAG 4695)
Locking principle	break
Coding	0 - 95°, 230°
Cable Diameter	cable_amc_np
Cable outlet	overmolding



### Contact insert description

Number of contacts	6
Contact type	pins
Contact diameter	07mm
Insulator material	peek
Wire cross section	22_awg
Termination	solder

### Technical information

Nominal current single contact	05_a	eia_364_70d
Test voltage	075_kv_ac	eia_364_20f

safety\_text

### Mechanical and environmental data

Degree of protection*	ip68
Operating temperature	18_71_c
Mating cycles	2000

mated

## Material and surface treatments

<b>Housing</b>	alu_black_carbon
<b>Contact</b>	cu_alloy_gold

safety\_text\_2  
illustrative\_text