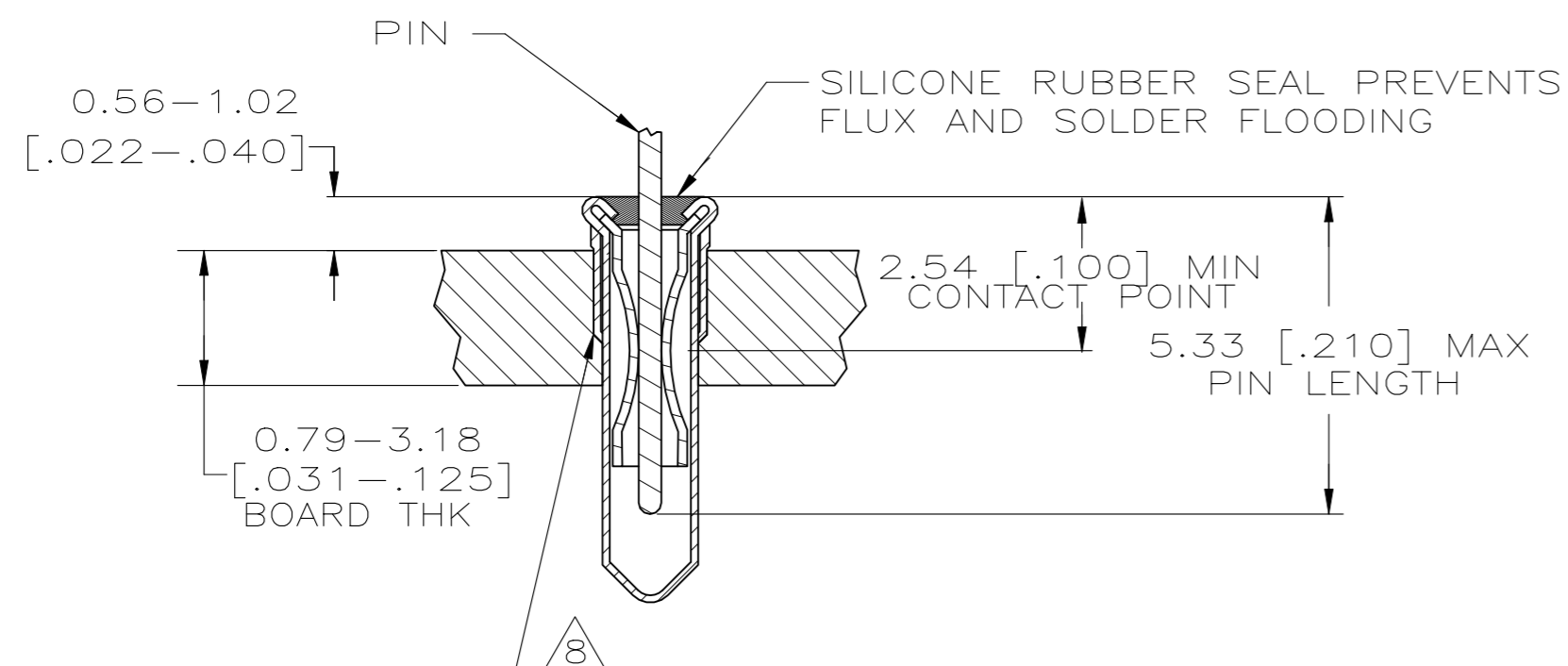
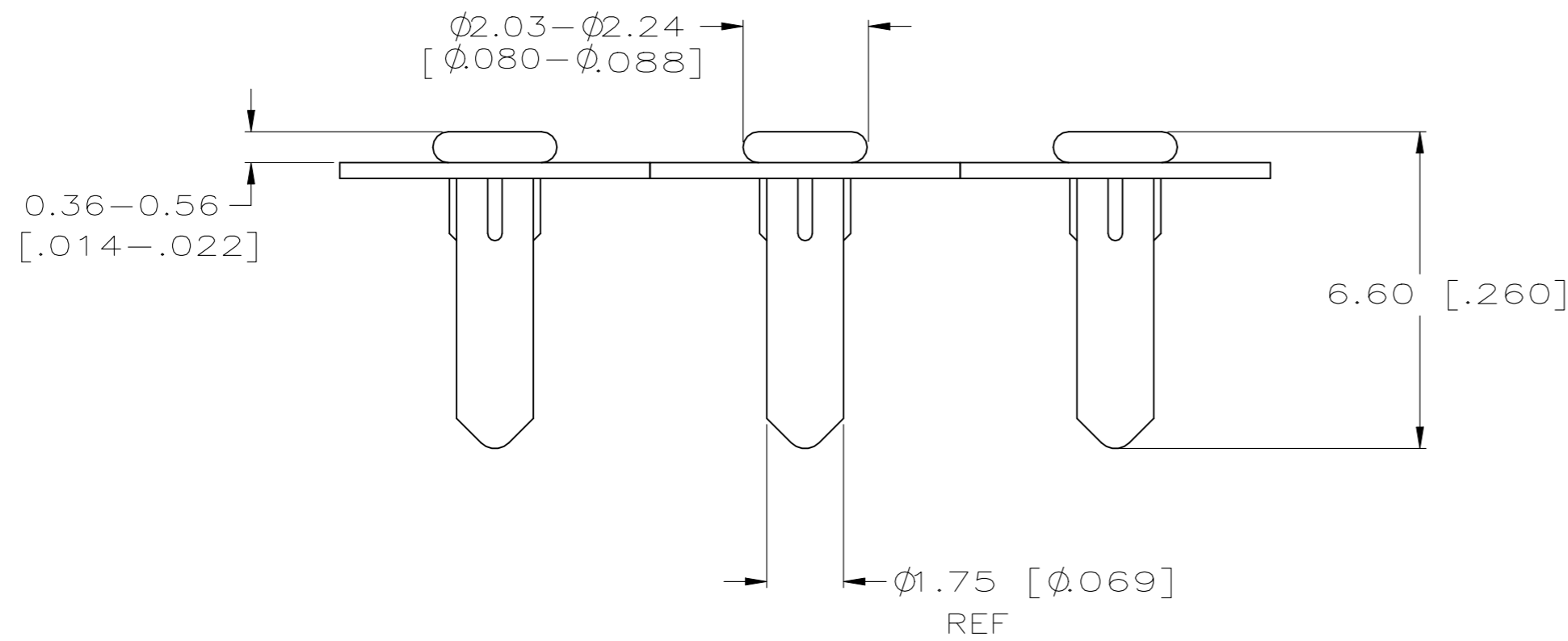
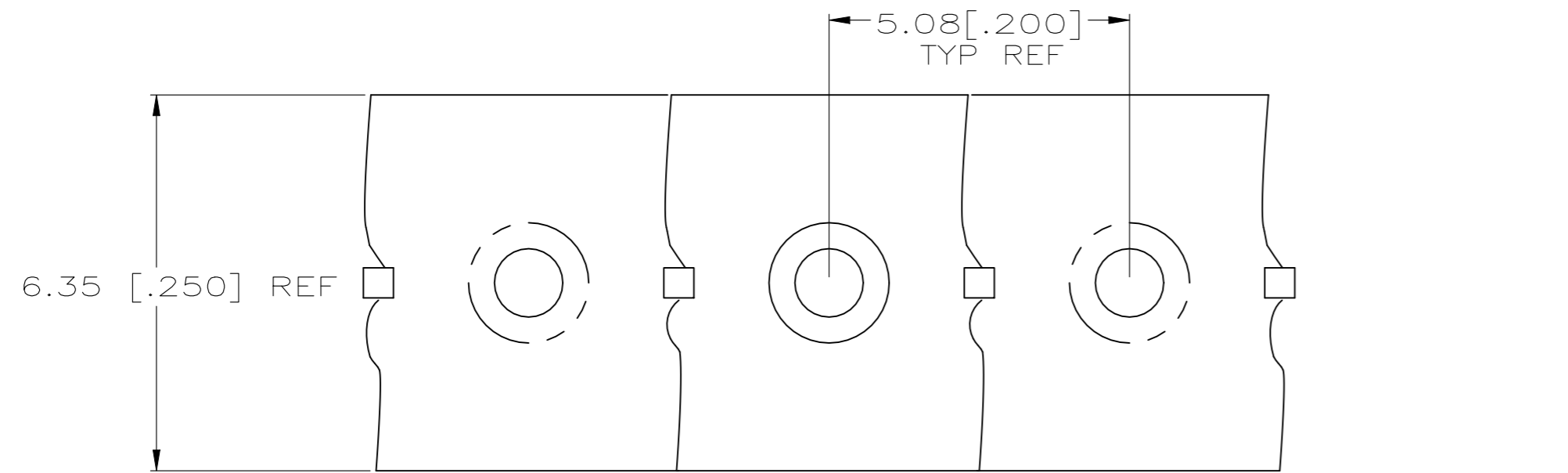


REVISIONS					
P	LTR	DESCRIPTION	DATE	DWN	APVD
A		REVISED PER ECN-22-182178	02NOV2022	PT	SZ



- 1 MATERIAL:  
EYELET- COPPER PER ASTM B 152  
SPRING- BERYLLIUM-COPPER PER ASTM B 194  
SEALANT- SILICONE RUBBER
- 2 TIN PLATE PER ASTM-B-545 0.00381 [.000150]  
MINIMUM THICKNESS.
- 3 TIN PLATE PER ASTM-B-545 0.00254 [.000100]  
MINIMUM THICKNESS.
- 4 GOLD PLATE PER SATM B 488 0.00076 [.000030]  
MINIMUM THICKNESS.
- 5. PACKAGED 10,000 PER REEL.
- 6 TO ENSURE 1/2 OZ MIN RETENTION, DO NOT  
NOT EXCEED 0.50 [.002] DIFFERENCE IN PIN DIA  
WHEN CHANGING TO A SMALLER DIA PIN.
- 7. APPLICATION TOOLING: MACHINE NO.: 817917-4.
- 8 SHOULDER ON SOCKET PROVIDES RETENTION IN THE  
P.C. BOARD. THE RECOMMENDED HOLE DIAMETER IS  
1.75 [0.069] MINIMUM, + 0.08 [.003] MAXIMUM  
PRIOR TO SOLDERING.
- 9 OBSOLETE PARTS: OBSOLETE CIS STREAMLINING PER D.RENAUD/D.SINISI

9 OBSOLETE	1.94-1.04 [0.037-0.041]	GOLD 4	TIN 2	5645501-3
		TIN 3		1-5645501-3
	PIN DIA 6	SPRING EYELET FINISH		
				PART NO

THIS DRAWING IS A CONTROLLED DOCUMENT.		DWN G. ATTADIA - DOCK5 20APR2005	TE Connectivity	
DIMENSIONS: mm [INCHES]		CHK J. HAVENER 20APR2005	MINIATURE SPRING SOCKET ASSY SERIES 4	
TOLERANCES UNLESS OTHERWISE SPECIFIED:		APVD J. HAVENER 20APR2005	NAME	
0 PLC ± -		PRODUCT SPEC	108-14008	
1 PLC ± -		APPLICATION SPEC	114-26004	
2 PLC ± -		WEIGHT	0.000000	
3 PLC ± 0.20 [.008]		SIZE	A2	
4 PLC ± -		CAGE CODE	00779	
ANGLES ± -		DRAWING NO	C=5645501	
FINISH		RESTRICTED TO	-	
SEE TABLE		SCALE	10:1	
		SHEET	1 of 1	
		REV	A	