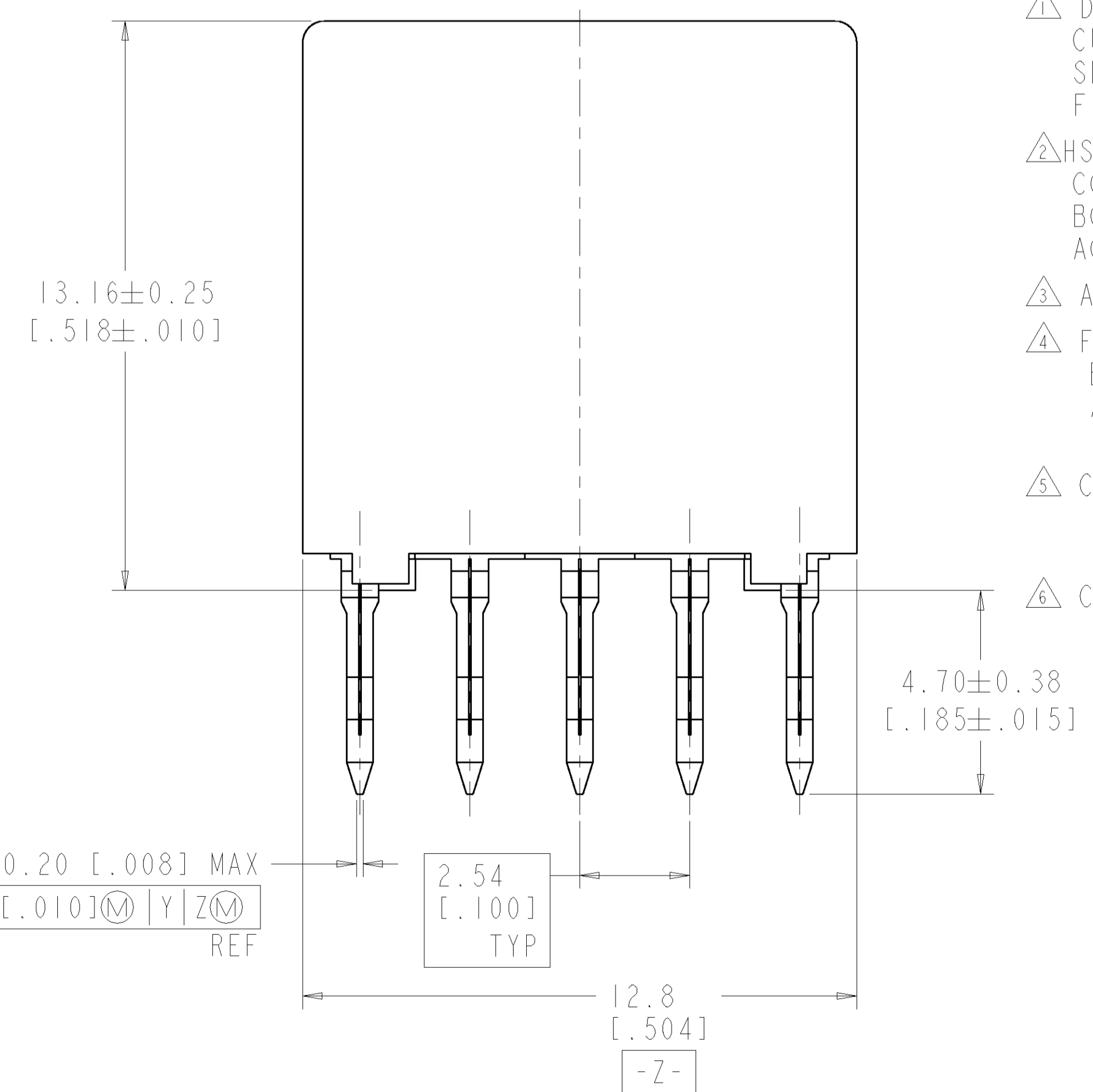
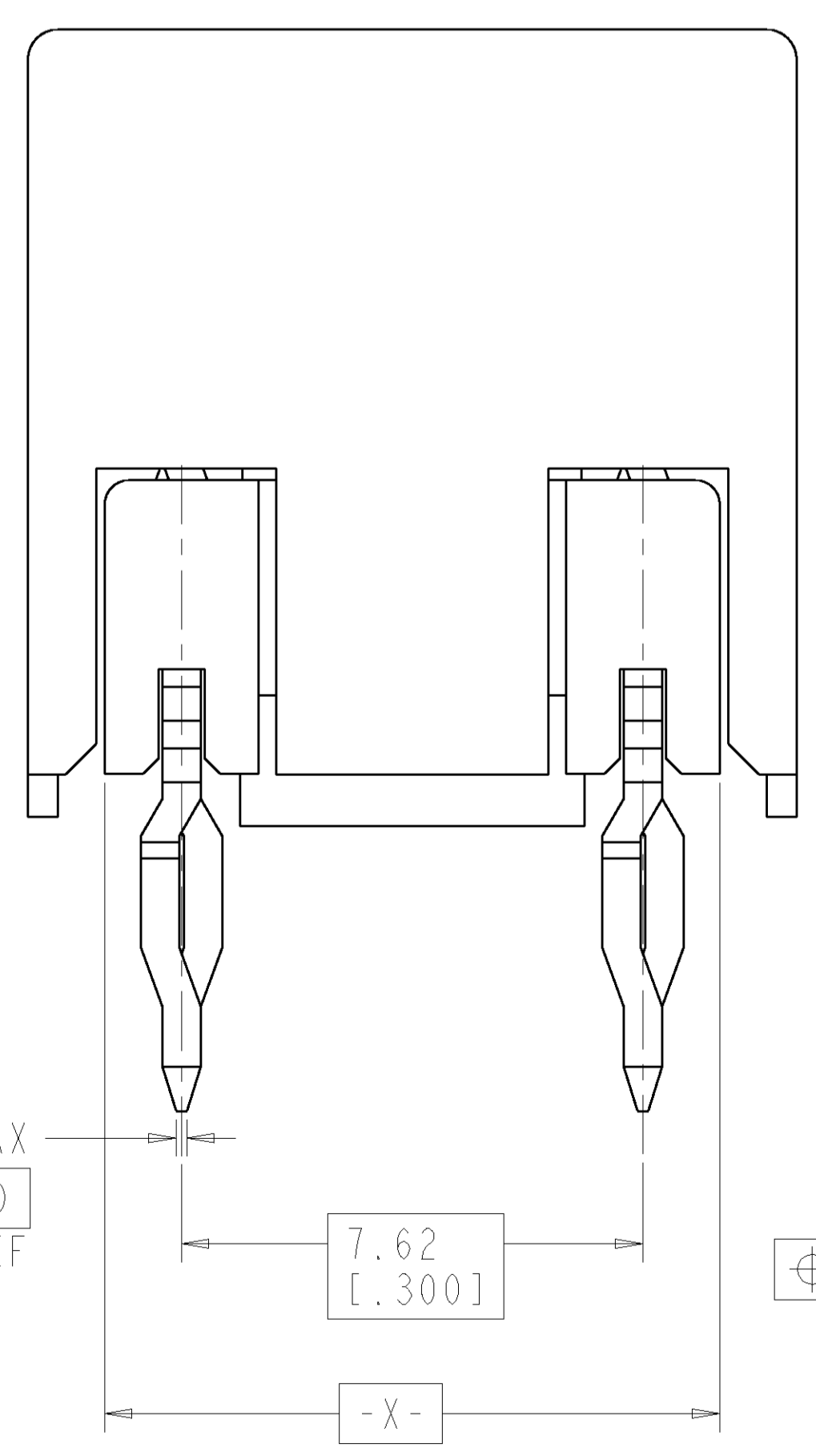
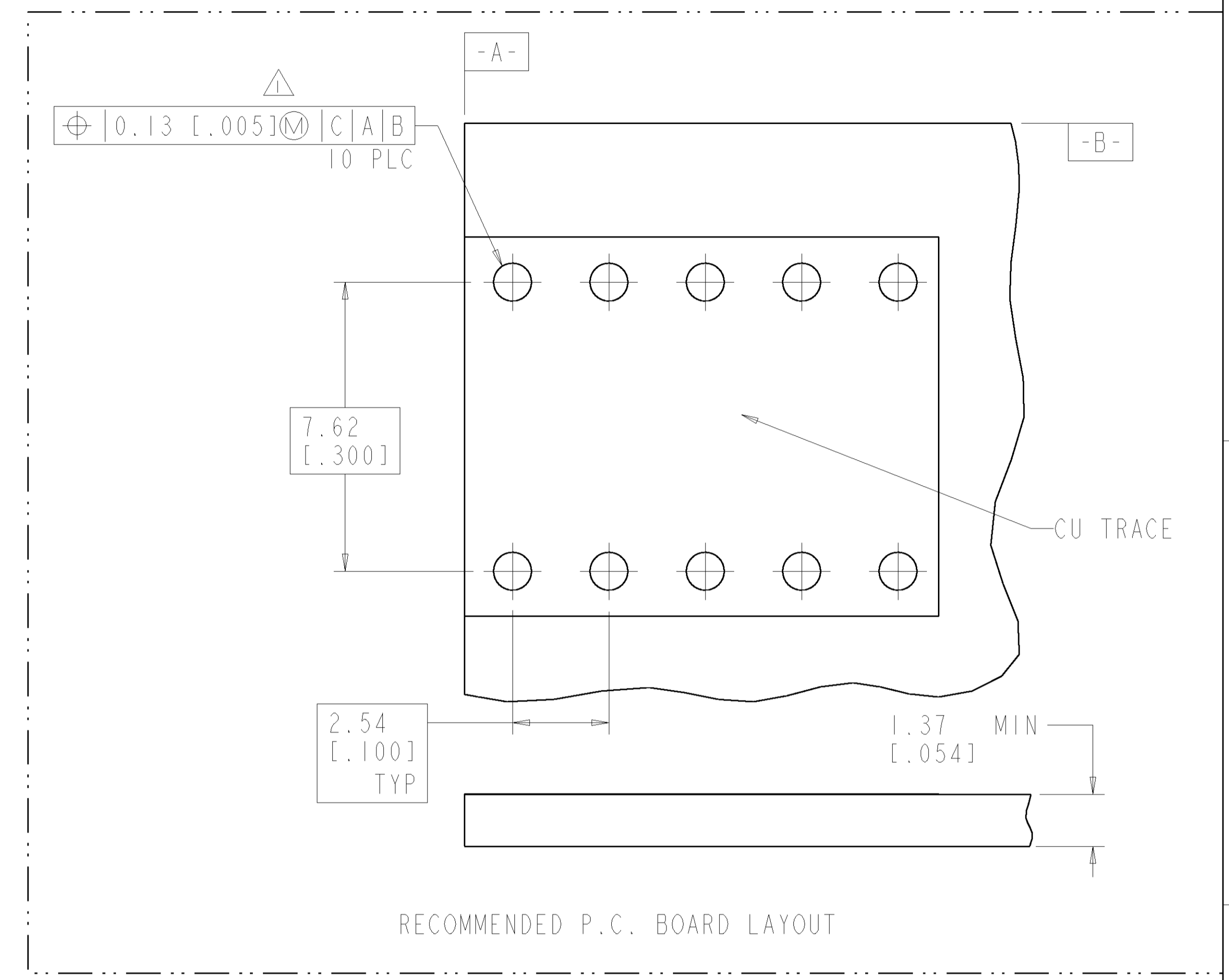
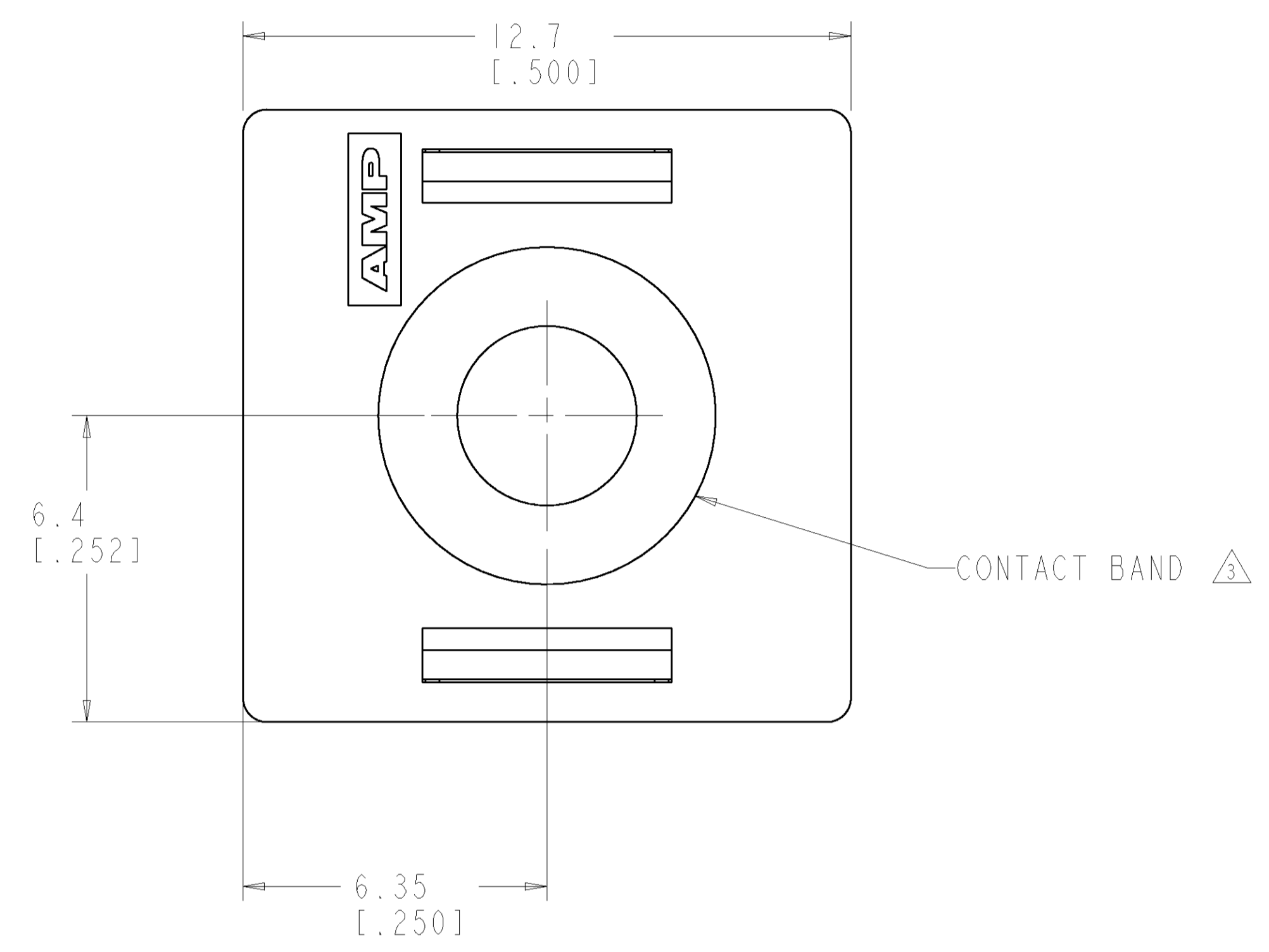


LOC		DIST		REVISIONS			
AD	47	P	LTR	DESCRIPTION	DATE	DWN	APVD
		O		RELEASED PER PPR B009426-0011	23AUG99	DKS	RAP
		A		REVISED PER QUIB-0005-00	02FEB00	DKS	RAP
		B		REVISED PER QUIB-0037-00	10APR00	DKS	RAP
		C		REV PER 0S12-0576-04	02JUN2005	RG	AF



- △ DRILLED HOLE DIAMETER 1.15 ± 0.03 [0.0453 ± 0.001].
 CU THICKNESS 0.03-0.08 [0.001-0.003].
 SN THICKNESS 8µm [0.0003] MIN.
 FINISHED HOLE AFTER PLATING 0.94-1.09 [0.037-.043].
- △ HSG: THERMOPLASTIC, BLACK
 CONTACT BAND: COPPER ALLOY
 BODY: ZINC ALLOY
 ACTION PIN CONTACT: BRONZE ALLOY
- △ ACCEPTS 3.58 ± 0.025 MATING PIN [0.141 ± 0.001].
- △ FINISHES:
 BODY: 5.08µm [0.0002] MIN SILVER OVER 2.54µm [0.0001] MIN COPPER
 ACTION PIN: 5.08µm [0.0002] MIN SILVER OVER 1.27µm [0.00005] MIN NICKEL
- △ CONTACT BAND FINISH: 5.08µm [0.0002] MIN SILVER
 OVER 1.02µm [0.00004] MIN NICKEL.
- △ CONTACT BAND FINISH: .76µm [0.00003] MIN GOLD
 OVER 1.02µm [0.00004] MIN NICKEL.

CONTACT BAND FINISH	DESCRIPTION	PART NUMBER
△6	RECEPTACLE	796138-2
△5	RECEPTACLE	796138-1

DIMENSIONS: mm [INCHES]	TOLERANCES UNLESS OTHERWISE SPECIFIED: 0 PLC ±.13 [0.0053] 1 PLC ±.13 [0.0053] 2 PLC ±.13 [0.0053] 3 PLC ±.13 [0.0053] 4 PLC ±. ANGLES ±. FINISH ±.	DWN MDL 26 JAN 99 ENR MDL 26 JAN 99 APVD MDL 26 JAN 99 PRODUCT SPEC 108-1624-1 APPLICATION SPEC 114-11000 WEIGHT - CUSTOMER DRAWING	AMP Incorporated Harrisburg, PA 17105-3608 NAME RECEPTACLE ASSEMBLY VERTICAL, BOARD TO BOARD, POWER TAP SIZE CAGE CODE DRAWING NO RESTRICTED TO A1 00779 C=796138 SCALE 10:1 SHEET 1 OF 1 REV C
----------------------------	--	---	--