

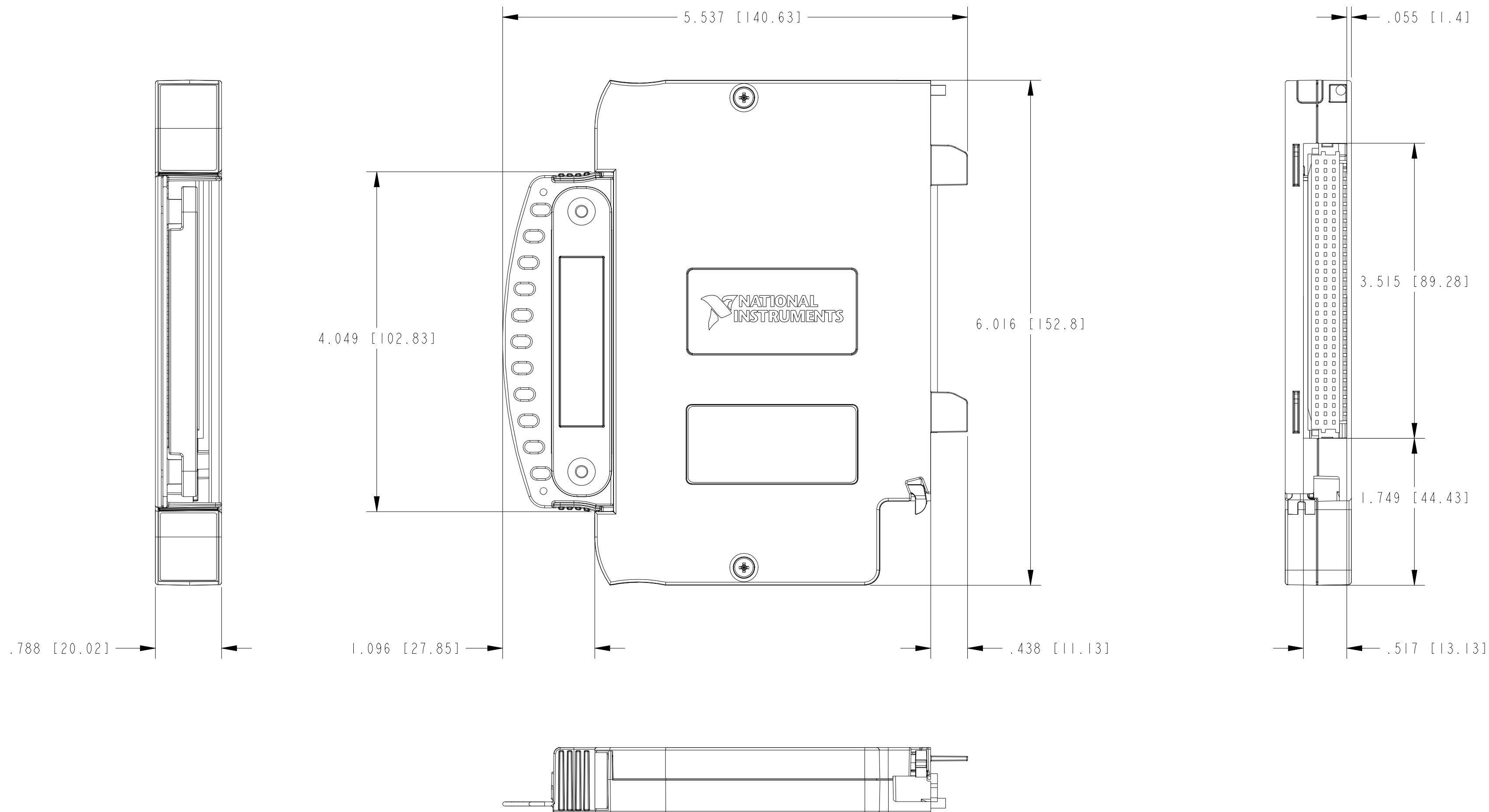
4

3

2

1

COPYRIGHT ©2010 NATIONAL INSTRUMENTS CORPORATION AND ITS LICENSORS. ALL RIGHTS RESERVED.

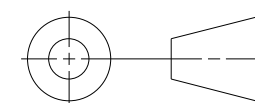


CUSTOMER DRAWING

UNLESS OTHERWISE SPECIFIED DIMENSIONS ARE IN INCHES AND [MILLIMETERS].

DO NOT SCALE DRAWING

THIRD ANGLE PROJECTION



AUSTIN, TEXAS

TITLE

PXIE SIGNAL CONDITIONING TERMINAL BLOCK, TB-4353

SIZE CODE IDENT NO. MM/DD/YYYY

C7U296

12/13/10

SCALE: 1/1

SHEET 1 OF 1

CU-PXIE_SC_TB-4353

4

3

2

1

D

D

C

C

B

B

A

A