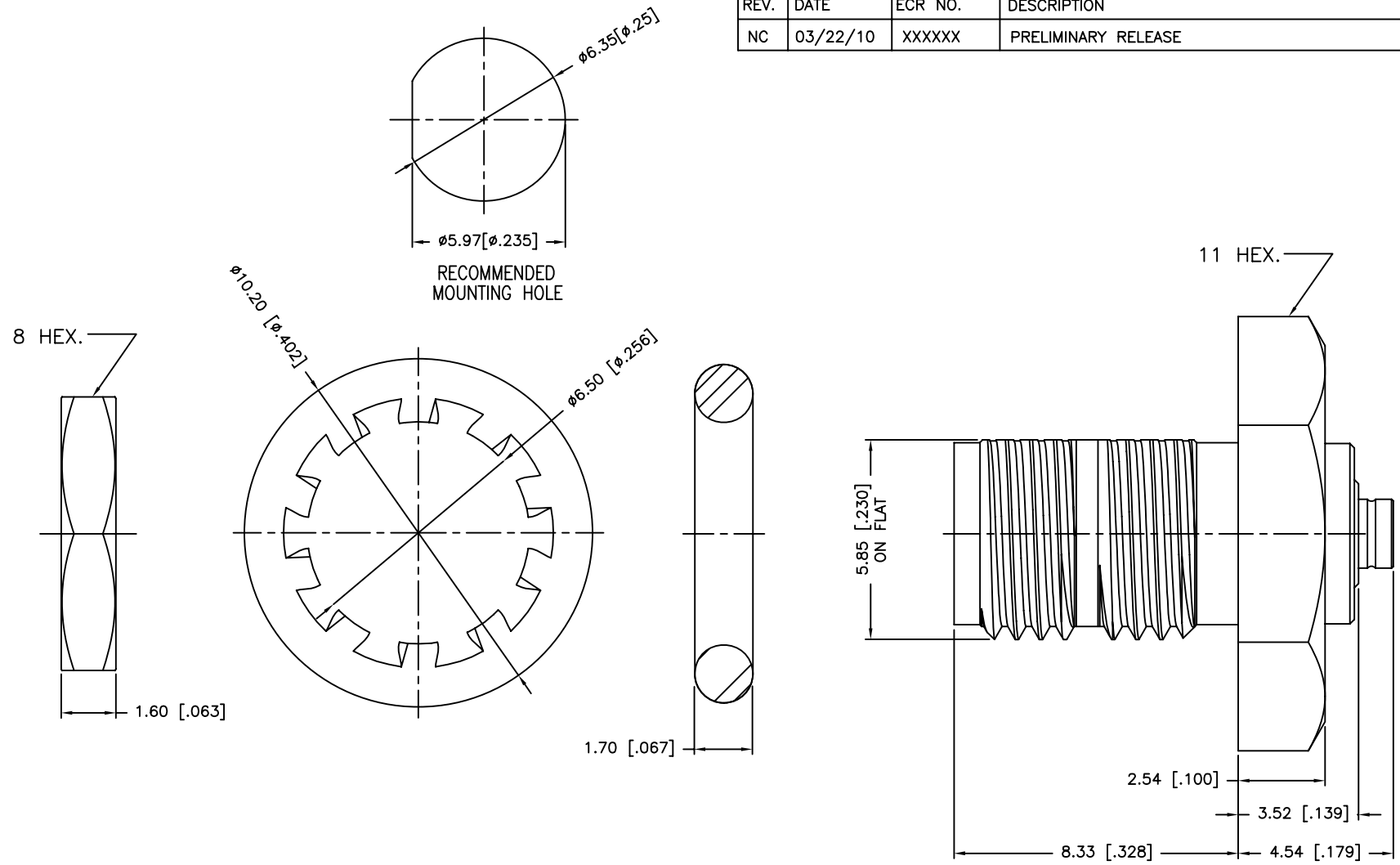


REV.	DATE	ECR NO.	DESCRIPTION
NC	03/22/10	XXXXXX	PRELIMINARY RELEASE



1. MAX. PANEL THICKNESS=3.18mm

7	HEX NUT	BRASS	NICKEL	1
6	LOCK WASHER	BRASS	NICKEL	1
5	GASKET	SILICONE	RED	1
4	BODY	BRASS	NICKEL	1
3	CONTACT PIN	BERYLLIUM COPPER	GOLD	1
2	INSULATOR	PTFE	NATURAL	1
1	BODY	BRASS	NICKEL	1
	DESCRIPTION	MATERIAL	FINISH	QTY

UNLESS OTHERWISE SPECIFIED DIMENSIONS ARE IN MILLIMETERS. DIMENSIONS IN [] ARE IN INCHES AND FOR CUSTOMER REFERENCE ONLY.

UNLESS OTHERWISE SPECIFIED TOLERANCES FOR MILLIMETERS ARE:
0.5 - 8mm ± 0.20 mm
8 - 30mm ± 0.40 mm
30 - 120mm ± 0.50 mm

UNLESS OTHERWISE SPECIFIED TOLERANCES FOR INCHES ARE:
.020 - .315 = ± 0.007 "
.315 - 1.180 = ± 0.015 "
1.180 - 4.724 = ± 0.020 "

DO NOT SCALE DRAWING

APPROVALS	DATE
DRAWN T.DENG	03/22/10
CHECKED	
ISSUED	
SHEET 1 OF 1	
CAD FILE	
C:/CONNEX/242244.DWG	

Amphenol Connex			
PART DESCRIPTION SMA FEMALE TO U.FL MALE ADAPTER			
PART NO. 242244			
DWG. NO.	242244.DWG	REV.	NC
SIZE	A	SCALE	NA