

XS618B4MBU20

Inductive proximity sensors XS, inductive sensor XS6 M18, L72mm, brass, Sn12mm, 24...240VAC/DC, 1/2"



Main

| | |
|------------------------------------|---|
| Range of Product | Telemecanique Inductive proximity sensors XS |
| Series name | General purpose |
| Sensor Type | Inductive proximity sensor |
| Sensor name | XS6 |
| Sensor design | Cylindrical M18 |
| Size | 72 mm |
| Body type | Fixed |
| Detector flush mounting acceptance | Non flush mountable |
| Material | Metal |
| Type of output signal | Discrete |
| Wiring Technique | 2-wire |
| [Sn] nominal sensing distance | 0.47 in (12 mm) |
| Discrete output function | 1 NC |
| Output circuit type | AC/DC |
| Electrical connection | Male connector 1/2"20 UNF, 3 pins |
| [Us] rated supply voltage | 24...240 V AC/DC 50/60 Hz |
| Switching capacity in mA | 5...200 mA DC 5...300 mA AC |
| IP degree of protection | IP67 conforming to IEC 60529 IP69K conforming to DIN 40050 |

Complementary

| | |
|--------------------------|--------------------------------|
| Thread type | M18 x 1 |
| Detection face | Frontal |
| Front material | PPS |
| Enclosure Material | Nickel Plated Brass |
| Sensing range | > 0.31...0.59 in (> 8...15 mm) |
| Operating zone | 0.00...0.38 in (0...9.6 mm) |
| Differential travel | 1...15% of Sr |
| Status LED | Output state 1 LED yellow) |
| Supply voltage limits | 20...264 V AC/DC |
| Maximum residual current | 0.8 mA open state |
| Switching frequency | <= 1000 Hz DC <= 25 Hz AC |
| Maximum voltage drop | <5.5 V closed) |
| Maximum delay first up | 30 ms |
| Maximum delay response | 0.5 ms |
| Maximum delay recovery | 0.5 ms |
| Marking | CE |
| Threaded length | 1.73 in (44 mm) |
| Length | 2.83 in (72 mm) |

The information provided in this documentation contains general descriptions and/or technical characteristics of the performance of the products contained herein. This documentation is not intended as a substitute for and is not to be used for determining suitability or reliability of these products for specific user applications. It is the duty of any such user or integrator to perform the appropriate and complete risk analysis, evaluation and testing of the products with respect to the relevant specific application or use thereof. Neither Schneider Electric Industries SAS nor any of its affiliates or subsidiaries shall be responsible or liable for misuse of the information contained herein.

Environment

| | |
|---------------------------------------|---|
| Product Certifications | UL CSA |
| Ambient Air Temperature for Operation | -13...158 °F (-25...70 °C) |
| Ambient Air Temperature for Storage | -40...185 °F (-40...85 °C) |
| Vibration resistance | 25 gn +/- 2 mm 10...55 Hz)IEC 60068-2-6 |
| Shock resistance | 50 gn 11 ms IEC 60068-2-27 |

Ordering and shipping details

| | |
|-----------------------|--------------------------|
| Category | 22486-SENSORS, PROXIMITY |
| Discount Schedule | DS2 |
| GTIN | 3389119014410 |
| Nbr. of units in pkg. | 1 |
| Package weight(Lbs) | 0.14 lb(US) (0.06 kg) |
| Returnability | No |
| Country of origin | FR |

Packing Units

| | |
|------------------|----------|
| Package 1 Height | 0.018 dm |
| Package 1 width | 0.018 dm |
| Package 1 Length | 0.720 dm |

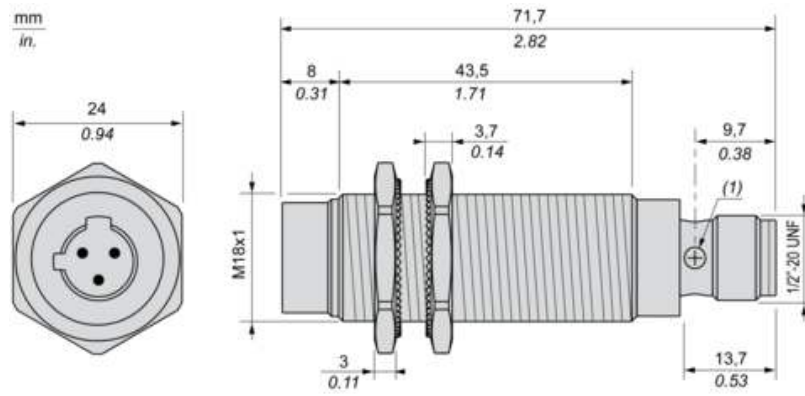
Offer Sustainability

| | |
|----------------------------|---|
| Sustainable offer status | Green Premium product |
| California proposition 65 | WARNING: This product can expose you to chemicals including: Diisononyl phthalate (DINP), which is known to the State of California to cause cancer, and Di-isodecyl phthalate (DIDP), which is known to the State of California to cause birth defects or other reproductive harm. For more information go to www.P65Warnings.ca.gov |
| REACH Regulation | REACH Declaration |
| EU RoHS Directive | Pro-active compliance (Product out of EU RoHS legal scope) EU RoHS Declaration |
| Mercury free | Yes |
| RoHS exemption information | Yes |
| Environmental Disclosure | Product Environmental Profile |
| Circularity Profile | End Of Life Information |

Contractual warranty

| | |
|----------|-----------|
| Warranty | 18 months |
|----------|-----------|

Dimensions



(1) : LED

Minimum Mounting Distances

Side by side



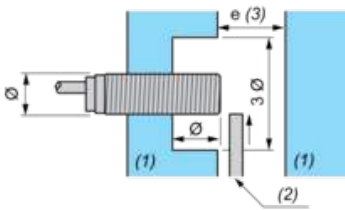
$e (1) \geq 72 \text{ mm}/2.83 \text{ in.}$

Face to face



$e (2) \geq 144 \text{ mm}/5.67 \text{ in.}$

Facing a metal object



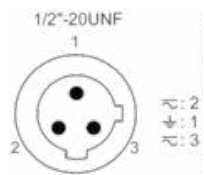
$e (3) \geq 36 \text{ mm}/1.42 \text{ in}$

(1) Metal

(2) Object to be detected

Wiring Schemes

1/2"-20UNF



1 : Grounding

2 : AC

3 : AC

NC output

