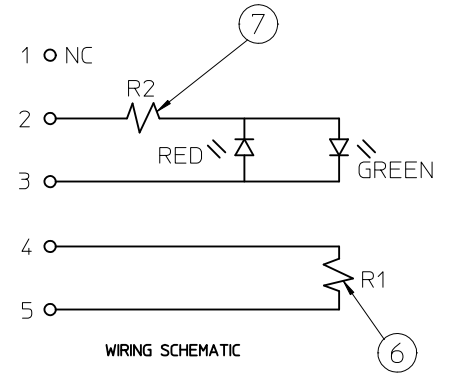
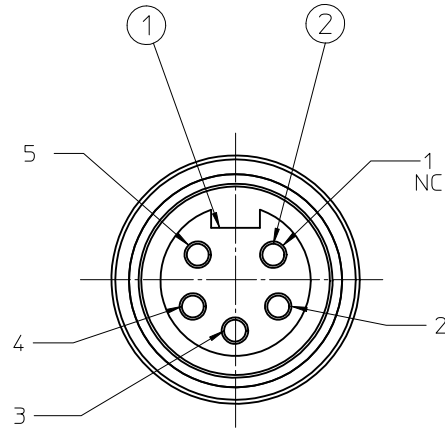
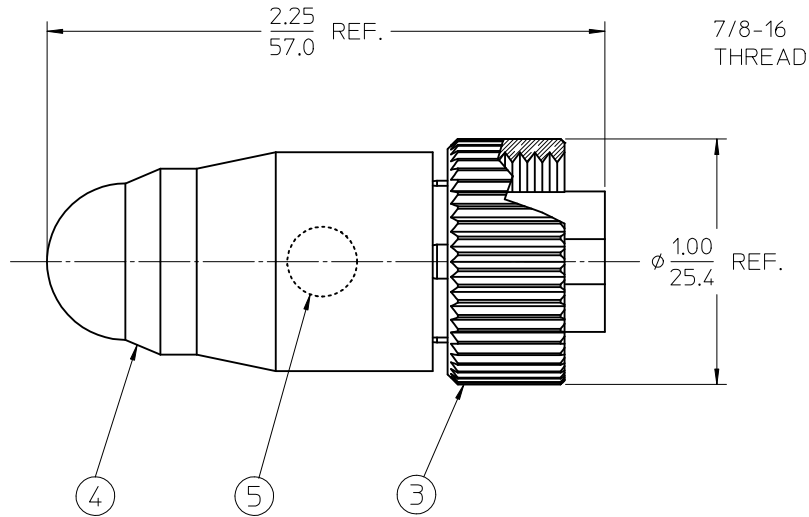
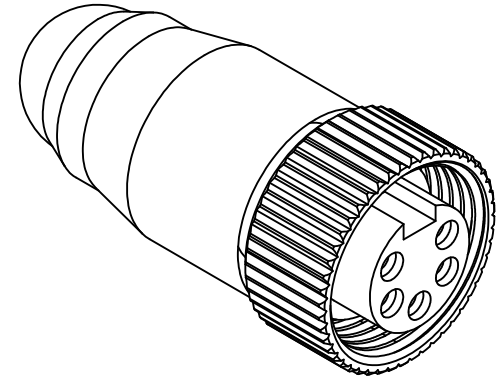


VOLTAGE RATING	50 VAC/VDC
AMPERAGE RATING	8 AMPS
PROTECTION	IP67
OPERATING TEMPERATURE	0°C TO 60°C



ITEM	COMPONENT	MATERIAL	FINISH
1	INSERT	PVC	GRAY
2	CONTACT SOCKET	COPPER ALLOY	GOLD OVER NICKEL
3	COUPLNG NUT	BRASS	NICKEL PLATED
4	OVERMOLD	PVC	CLEAR
5	LED		RED/GREEN
6	RESISTOR 1	121 OHM 1/4 WATT	
7	RESISTOR 2	1600 OHM 1/2 WATT	

RELEASED
 EC NO: WNA2010-0417
 DRAWN BY: DRWINSTONE 2010/01/21
 CHECKED BY: CHYKDB:WOODMAN 2010/01/22
 APPR: JFMURPHY 2010/01/25

QUALITY SYMBOLS
 ▽=0
 ▽=0

	GENERAL TOLERANCES (UNLESS SPECIFIED)	
	mm	INCH
4 PLACES	± ---	± ---
3 PLACES	± ---	± ---
2 PLACES	± ---	± .01
1 PLACE	± 0.3	± ---
ANGULAR ±1/2°		

DRAFT WHERE APPLICABLE
 MUST REMAIN WITHIN DIMENSIONS

DIMENSION STYLE
IN/MM

SCALE
2:1

DESIGN UNITS
INCH

THIRD ANGLE PROJECTION

DRAWN BY: R. STONE DATE: 2010/01/15
 CHECKED BY: B. WOODMAN DATE: 2010/01/18
 APPROVED BY: JFMURPHY DATE: 2010/01/22

MATERIAL NO.
848569111

SIZE
B

TITLE
**TERMINATION PLUG
 MC 5P, FEMALE, WITH LED**

MOLEX INCORPORATED

DOCUMENT NO.
SD-84856-018

SHEET NO.
1 OF 1

THIS DRAWING CONTAINS INFORMATION THAT IS PROPRIETARY TO MOLEX INCORPORATED AND SHOULD NOT BE USED WITHOUT WRITTEN PERMISSION